

Fresno County

Little Bear Solar Project EIR

SCOPING MEETING

Thursday, September 14, 2017

5:30 pm - 7:30 pm



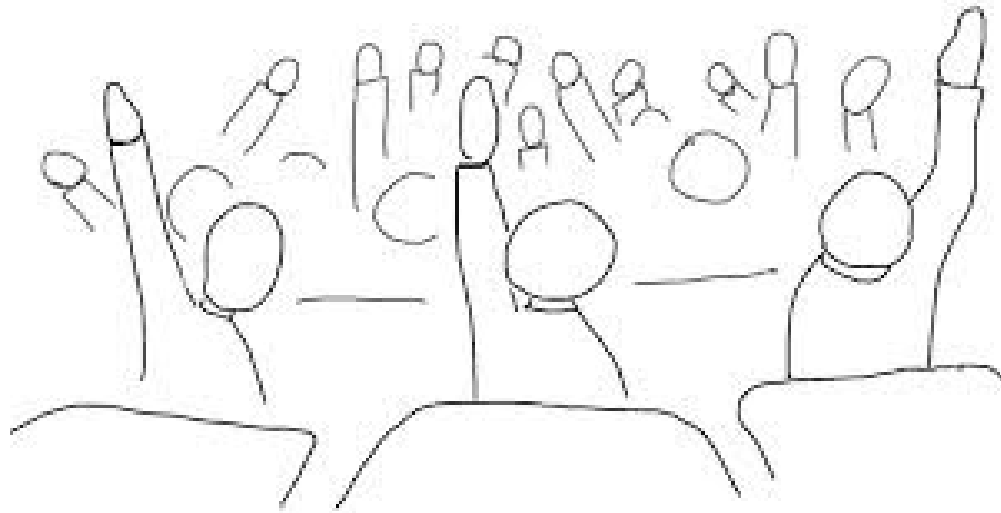
Agenda

- **Introductions**
- **Purpose of the Meeting**
- **Project Overview**
- **The CEQA Process**
- **Proposed Schedule**
- **Project Details**
- **Potential Environmental Effects and Alternatives**
- **Public Comments**
- **Next Steps**

Introductions

- **Participants and Roles**
 - **Fresno County**
 - Department of Public Works and Planning
 - Chrissy Monfette, Planner; Chris Motta, Principal Planner
 - CEQA Lead Agency (responsible for the EIR)
 - Decision-maker for requested Conditional Use Permits
 - **Environmental Science Associates (ESA)**
 - Janna Scott, Project Manager; Jill Feyk-Miney, Deputy PM
 - Environmental Consultant to the County
 - **First Solar, Applicant**
 - **Other Public Agencies**
 - **Members of the Public**

Purpose of the Meeting



For us to hear from you. Your questions and ideas are welcome and invited!

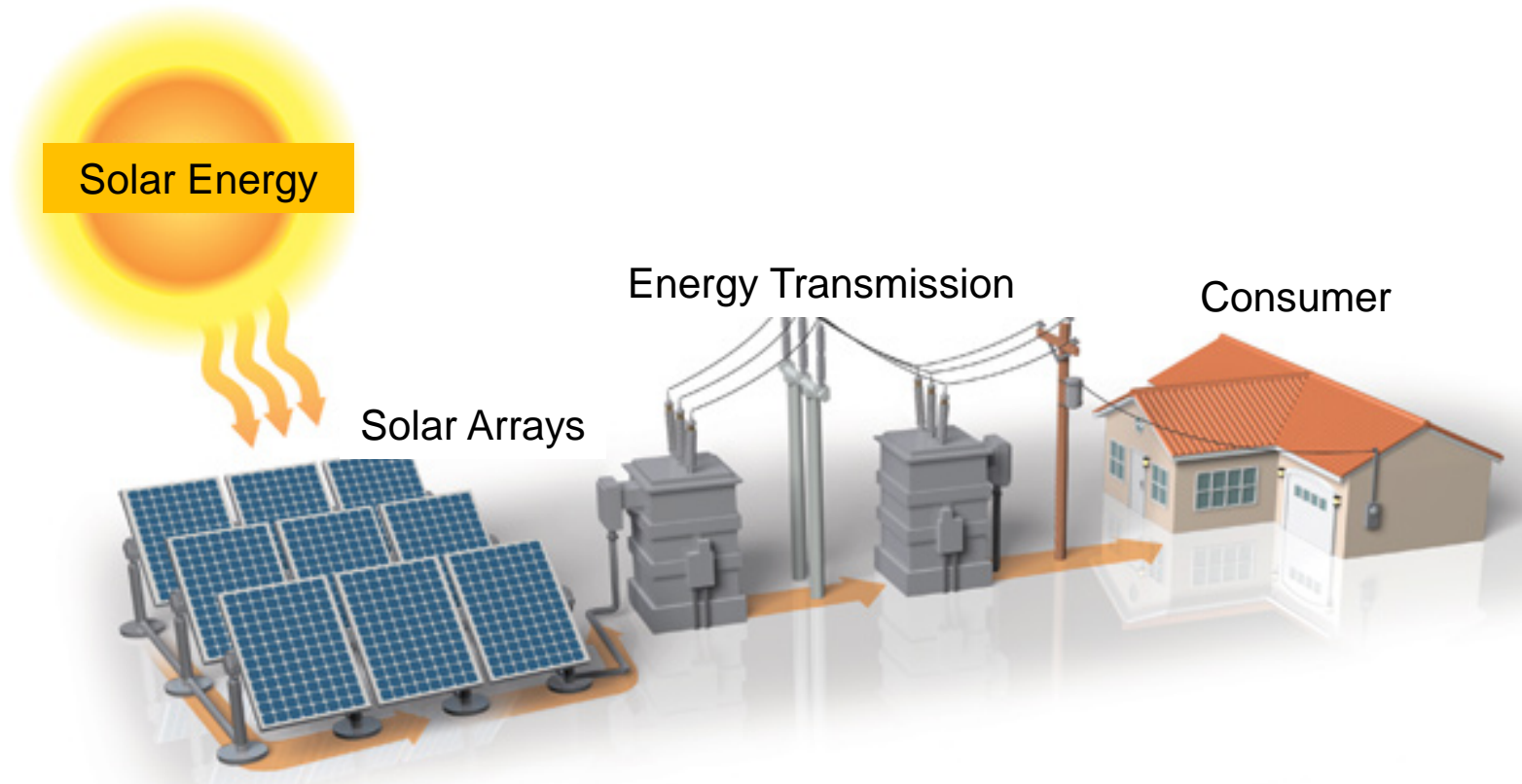
Project Overview

The Applicant seeks:

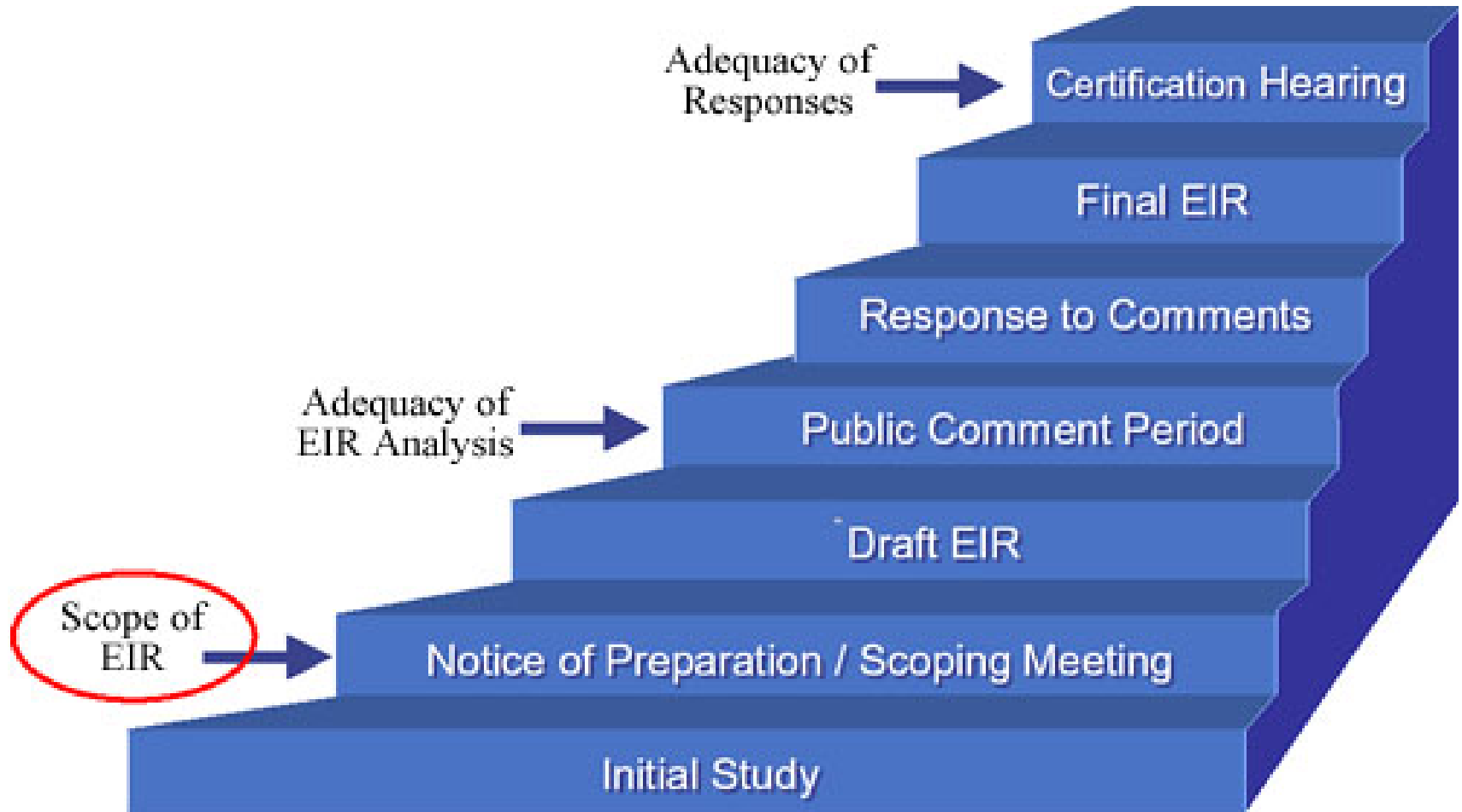
- Five Conditional Use Permits
- Construction, operation, maintenance, and decommissioning
- 180 megawatt solar photovoltaic electricity-generating facility
- Approximately 1,288 acres of Westlands Water District land adjacent to an existing solar facility (the North Star Solar Project)



Project Details Objectives



CEQA Process Steps for an EIR



Proposed Schedule

Anticipated Environmental Review Milestones

- **Spring 2018: Issue Draft EIR for review & comments**
- **Summer 2018: Complete Final EIR**
- **Fall 2018: County consideration of EIR and CUPs**

Project Details

Major Components

- **Solar Facility**
 - Solar panels and support structures
 - Electrical substations
- **Generation Tie Lines**
 - Use of existing
 - Proposed new

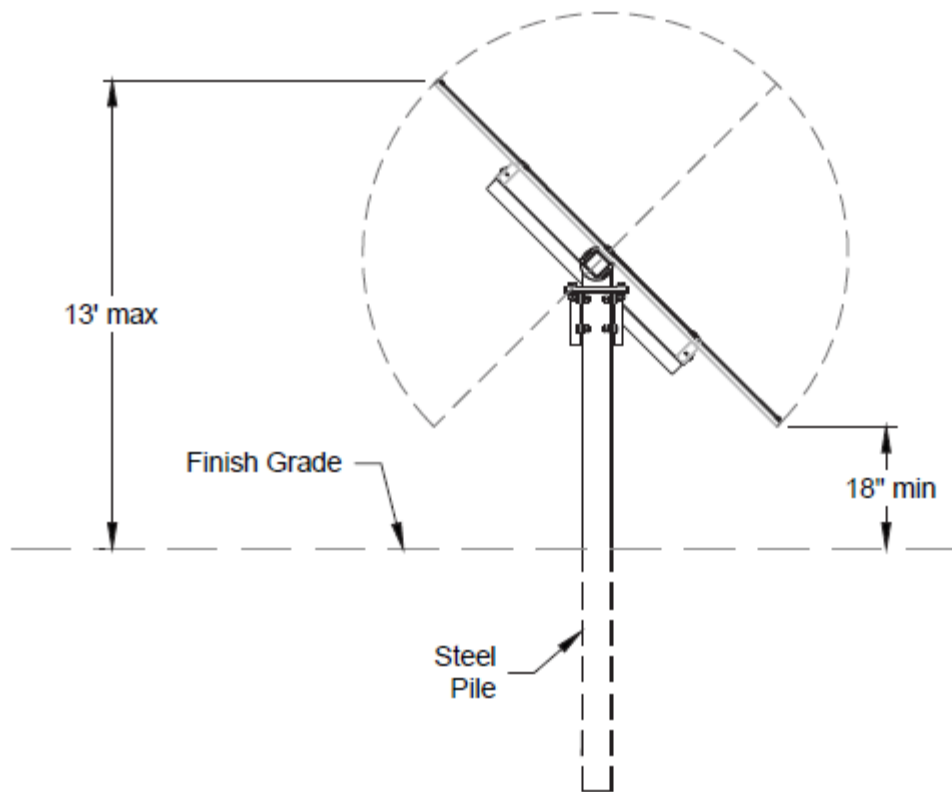
Project Details

PV Panels and Supports



Project Details

PV Panels and Supports



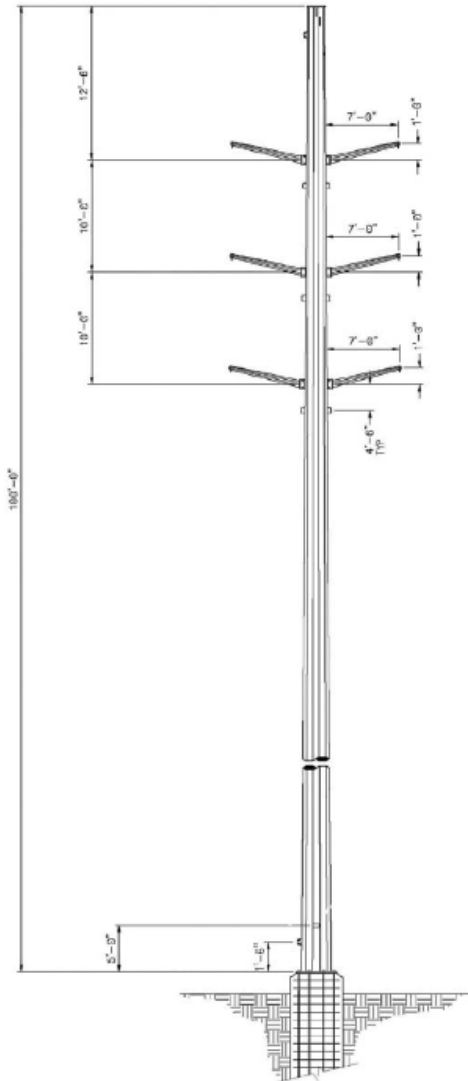
Project Details

Electrical Substations



Project Details

Generation Tie Lines



Typical transmission structures

- Either 75-feet tall or 100-feet, depending on location
- Foundation types have not yet been determined

Potential Environmental Effects

- **Aesthetics**
- **Agricultural and Forestry**
- **Air Quality**
- **Biological Resources**
- **Cultural Resources**
- **Energy Conservation**
- **Geology/Soils**
- **Greenhouse Gas Emissions**
- **Hazards & Hazardous Materials**
- **Hydrology/Water Quality**
- **Land Use/Planning**
- **Mineral Resources**
- **Noise**
- **Population/Housing**
- **Public Services**
- **Recreation**
- **Transportation/Traffic**
- **Tribal Cultural Resources**
- **Utilities/Service Systems**

Potential Alternatives

- **Threshold Criteria**
- **No Project Alternative**
- **Environmentally Superior Alternative**



Public Participation Opportunities

- **Speak at today's meeting**
- **Send written comments on or before October 9, 2017**

Chrissy Monfette, Planner

Fresno County Department of Public Works and Planning

Development Services Division

2220 Tulare Street, Sixth Floor

Fresno, CA 93721

Email: cmonfette@co.fresno.ca.us

Phone: (559) 600-4245

Fax: (559) 600-4200

- **Provide comments on the Draft EIR**
- **Participate in public hearings on the Project**

Public Comments



- **Speaker Cards and Comment Sheets**
- **Requests**
 - **State your name clearly**
 - **One person to speak at a time**
 - **Support everyone's participation**
 - **Respect others' opinions**
 - **Written comments encouraged**

What's Next?

- **Next Steps in the CEQA Process:**
 - **Scoping Comment Period Concludes October 9, 2017**
 - **Scoping Report Finalized October 2017**
 - **Draft EIR Published Spring 2018**
 - **Public Comments on Draft EIR Spring 2018**
 - **Final EIR Summer 2018**
 - **County Consideration of the EIR and the Project Fall 2018**



Want more information?

<http://www.co.fresno.ca.us/DepartmentPage.aspx?id=74235>



County Department Contact Information

Site Search

General Information

Residents

Business

Visitors

Government

County Homepage

Board of Supervisors

A-Z Services

Online Services

Contact the County

Employment Opportunities

Links

See All Departments

Divisions

[Divisions of Public Works
and Planning](#)

Quick Links

[Apply for a Building Permit](#)



[Customer Satisfaction](#)

[Home](#) [Public Works and Planning](#) [Dev Serv](#) [Environmental](#) Little Bear

Print

Text

Little Bear Solar Project

[Notice of Preparation for EIR No. 7225](#)

[Project Site Location Map](#)

[Project Description](#)

Public Scoping Meeting:

Thursday, September 14, 2017 – 5:30 p.m. to 7:30 p.m.

City of Mendota City Council Chambers, 643 Quince Street, Mendota, CA 93640