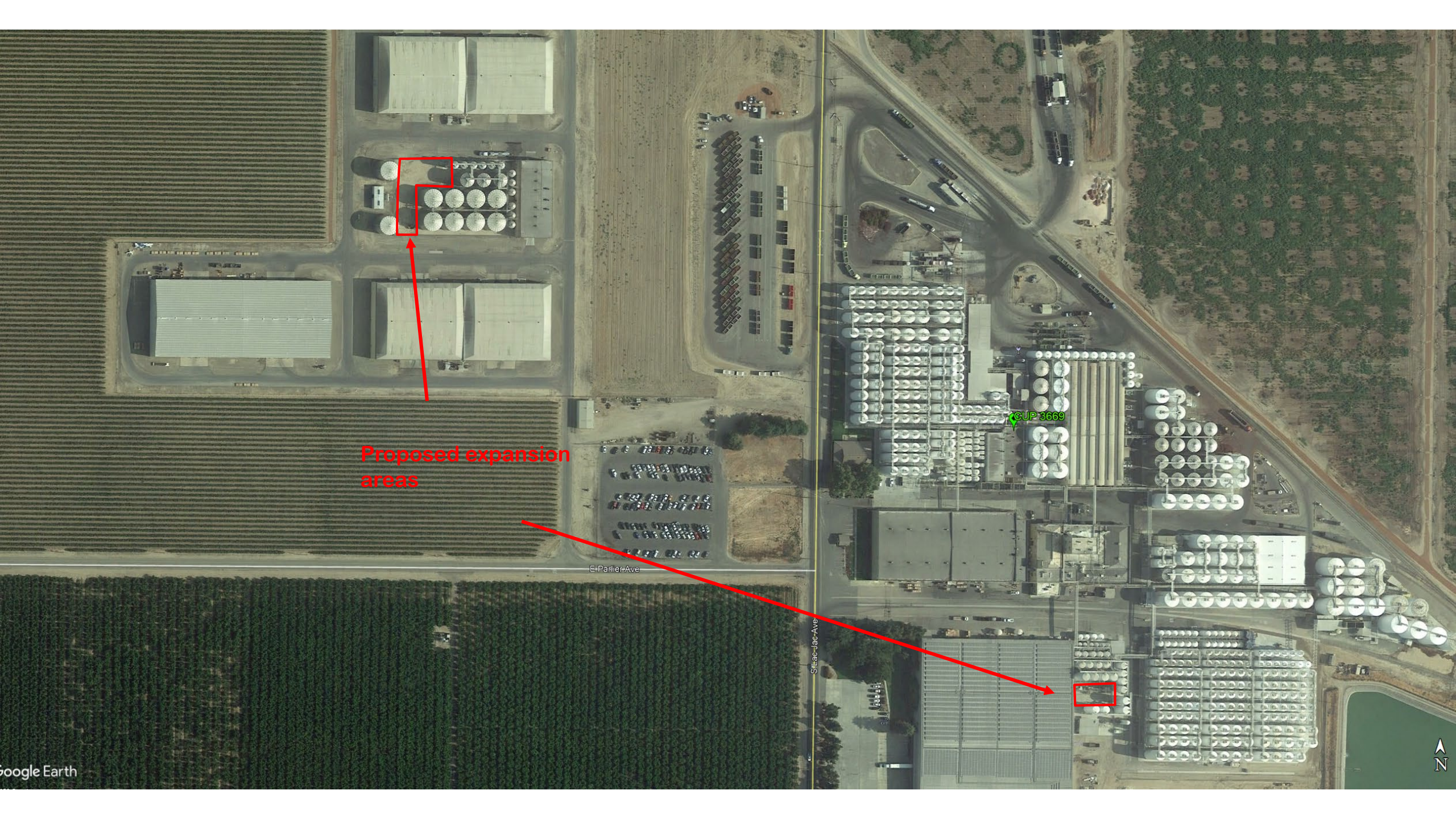




DEPARTMENT of PUBLIC WORKS and PLANNING
DEVELOPMENT SERVICES DIVISION

CUP 3669





Proposed expansion areas

E Parlier Ave

S Isaac-Jac-Ave

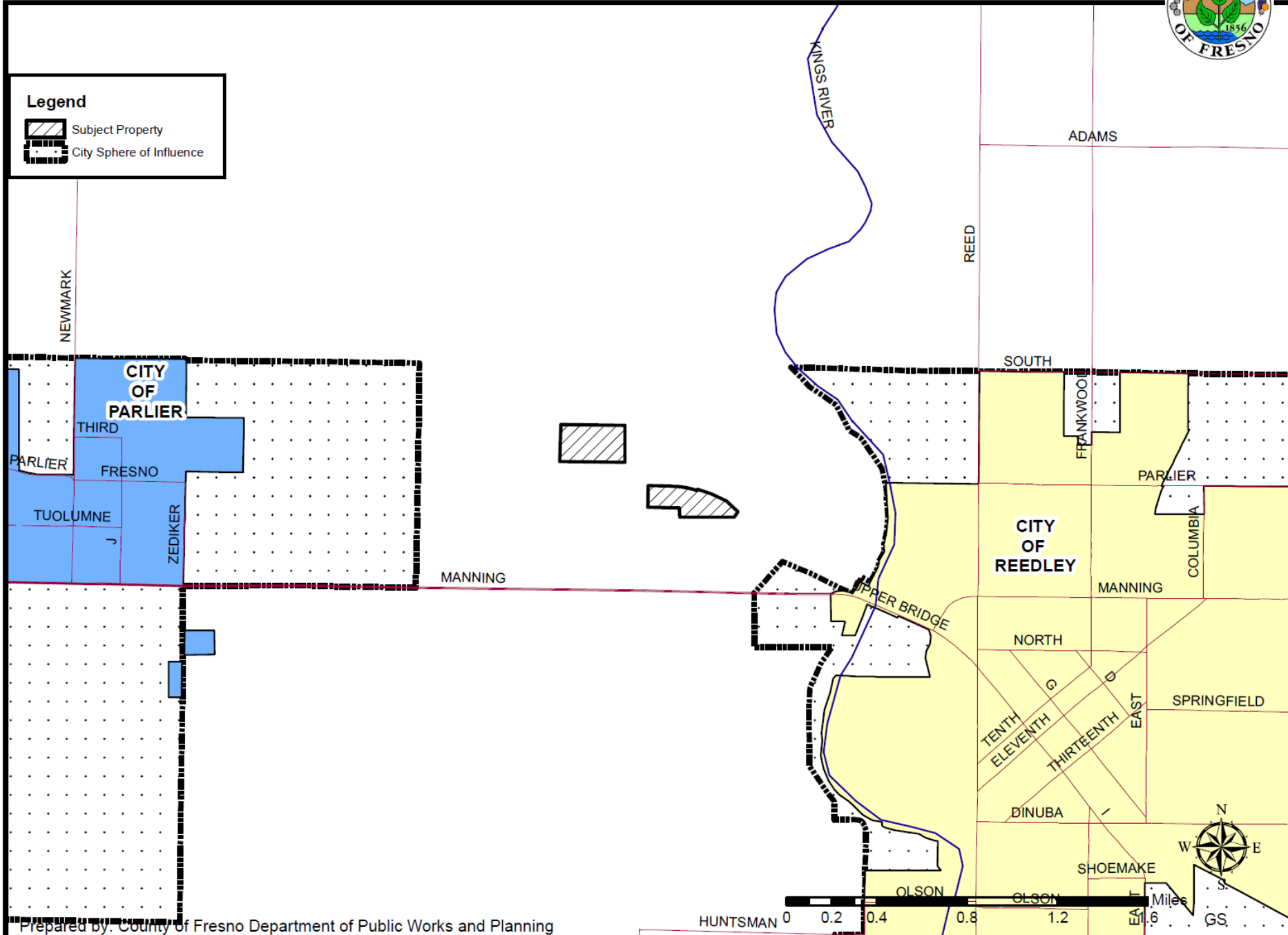
CUP 3669



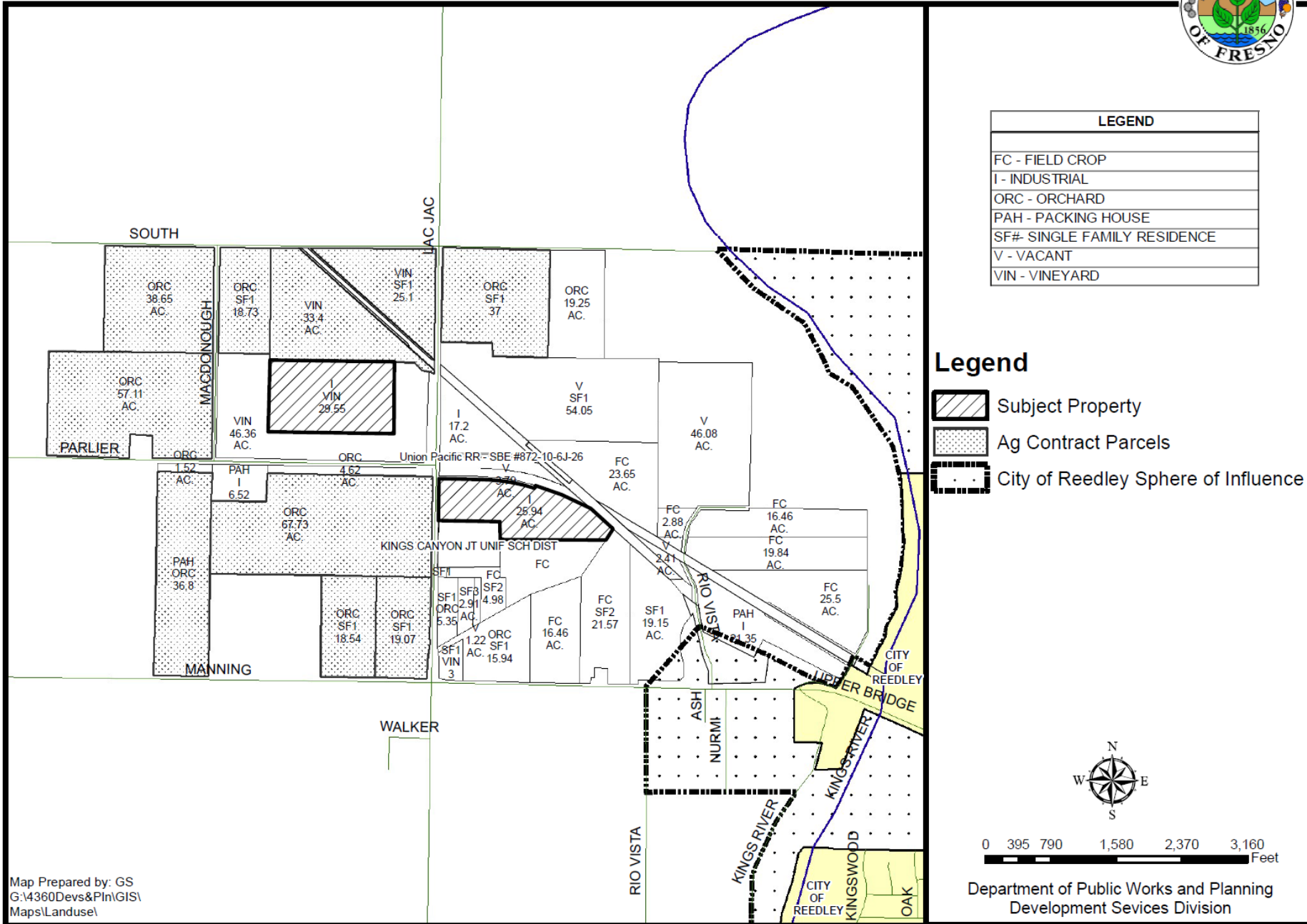


Legend

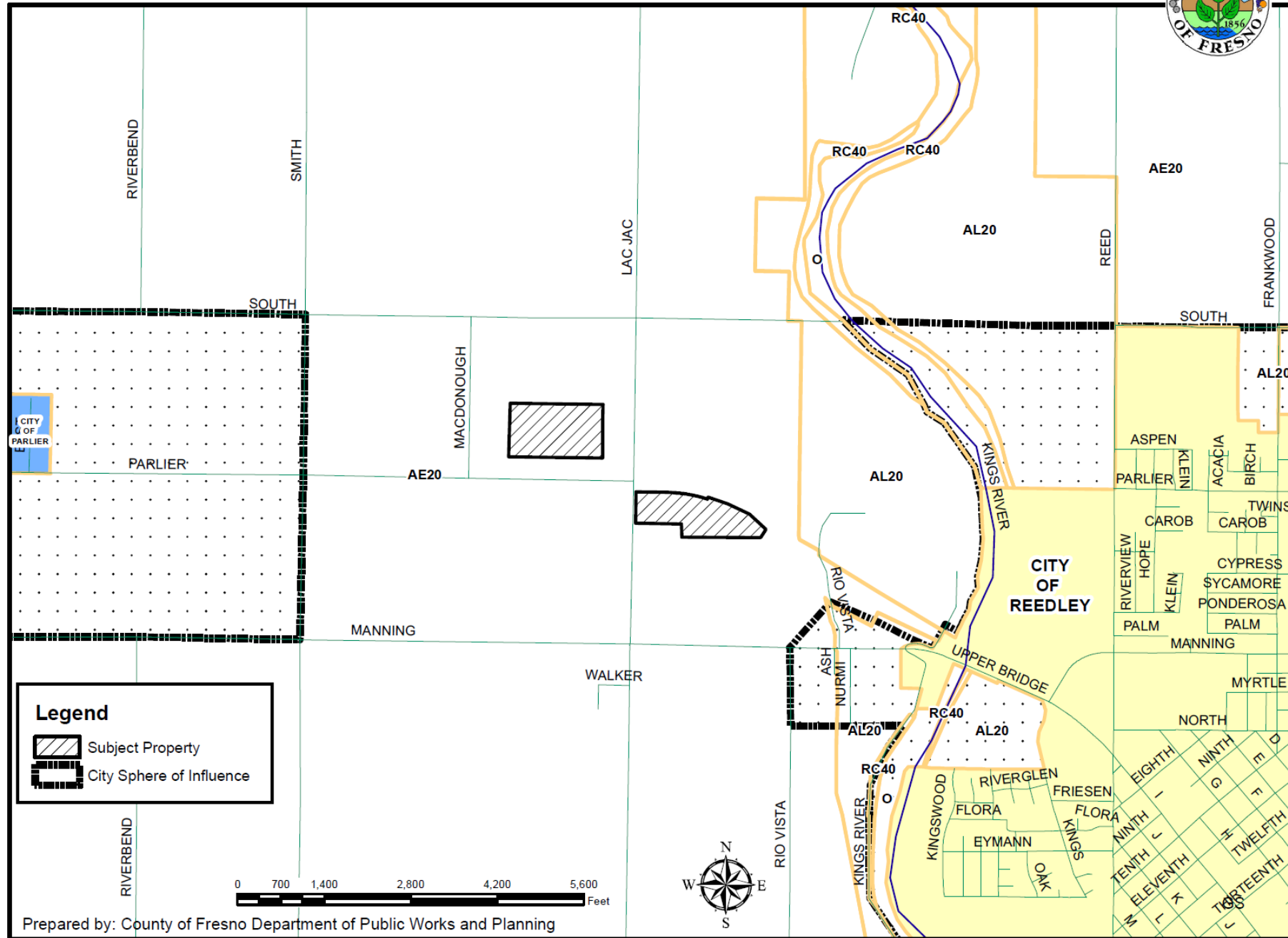
- Subject Property
- City Sphere of Influence



EXISTING LAND USE MAP

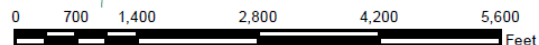


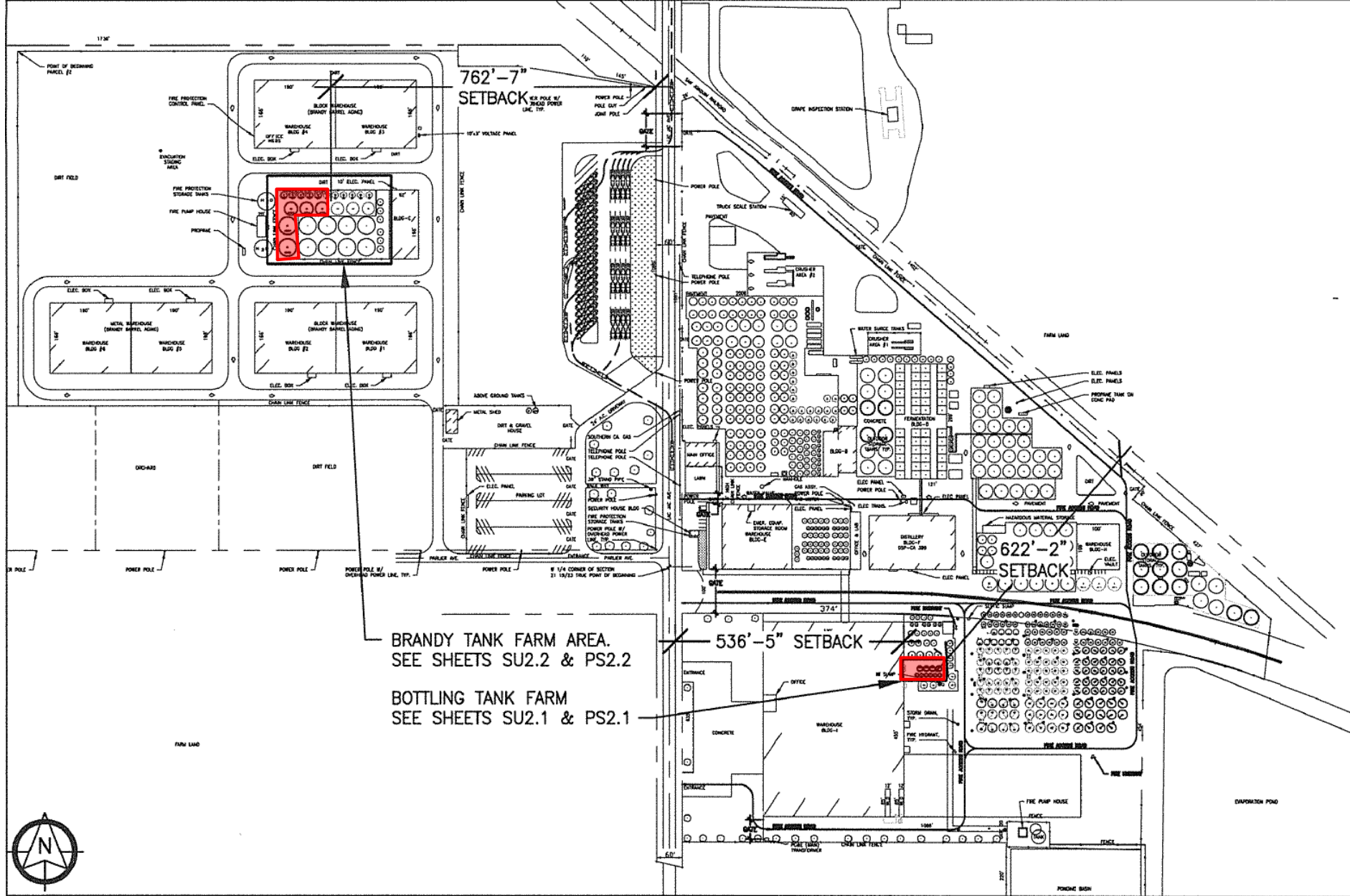
EXISTING ZONING MAP



Legend

- Subject Property
- City Sphere of Influence





BRANDY TANK FARM AREA.
SEE SHEETS SU2.2 & PS2.2

BOTTLING TANK FARM
SEE SHEETS SU2.1 & PS2.1



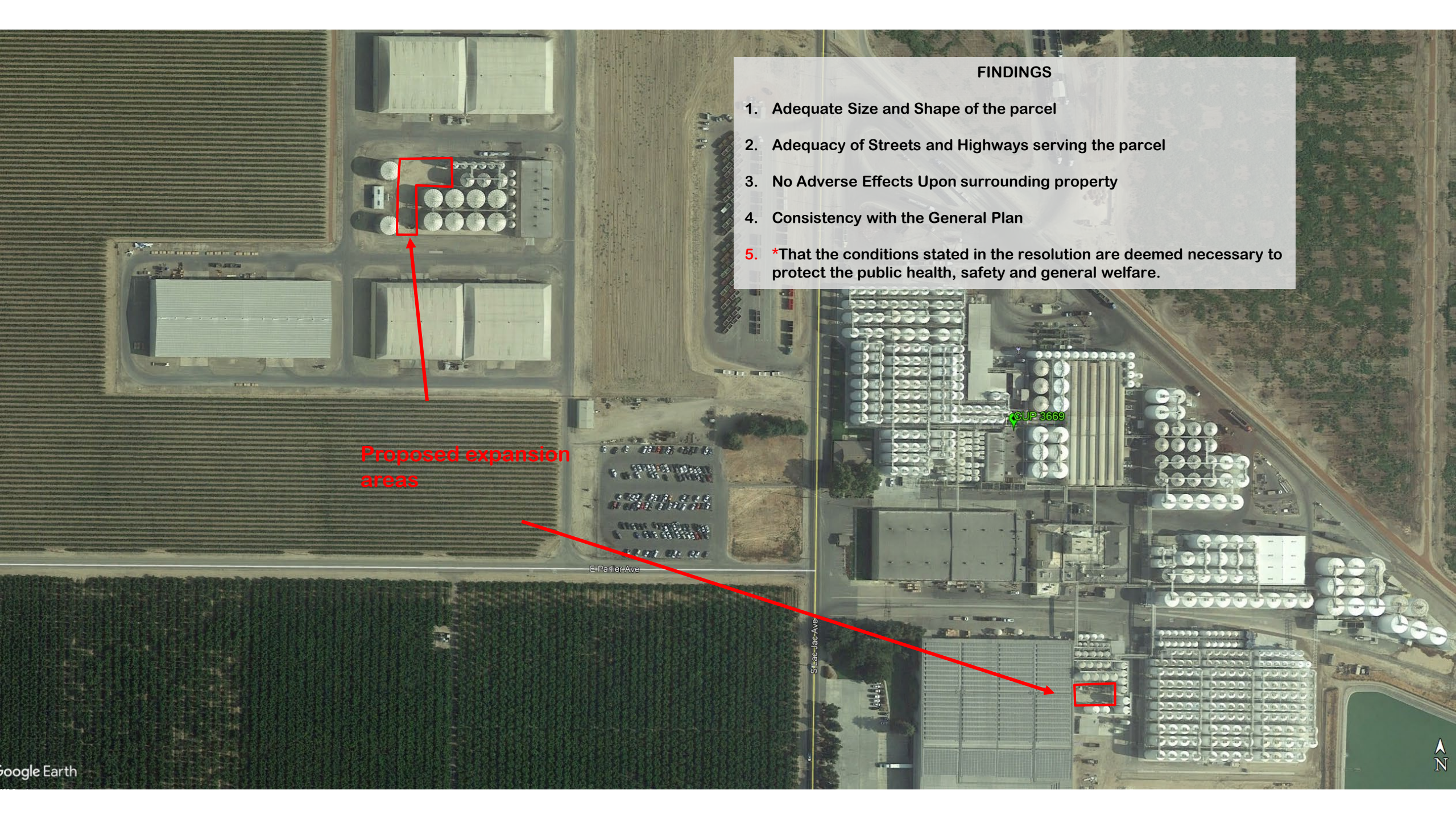
TIMOTHY G RYAN & ASSOCIATES INC. DBA:
RYAN - REVERA CONSULTING
 MECHANICAL ENGINEERS
 14 Hatton Ave
 (831) 288-6221

Spreckels, California 93962
 timr@rrc-engineers.com
 rodr@rrc-engineers.com

O'NEILL VINTNERS & DISTILLERS
 8418 S. LAC JAC AVE.
 PARLIER, CA 93648-9708
**BOTTLING & BRANDY TANK YARDS -
 SITE PLAN**

DATE: 02/03/20
 SCALE: 1" = 300'-0"
 DRAWN: RR
 JOB: 20190073

SHEET
SP1



FINDINGS

1. Adequate Size and Shape of the parcel
2. Adequacy of Streets and Highways serving the parcel
3. No Adverse Effects Upon surrounding property
4. Consistency with the General Plan
5. ***That the conditions stated in the resolution are deemed necessary to protect the public health, safety and general welfare.**

Proposed expansion areas

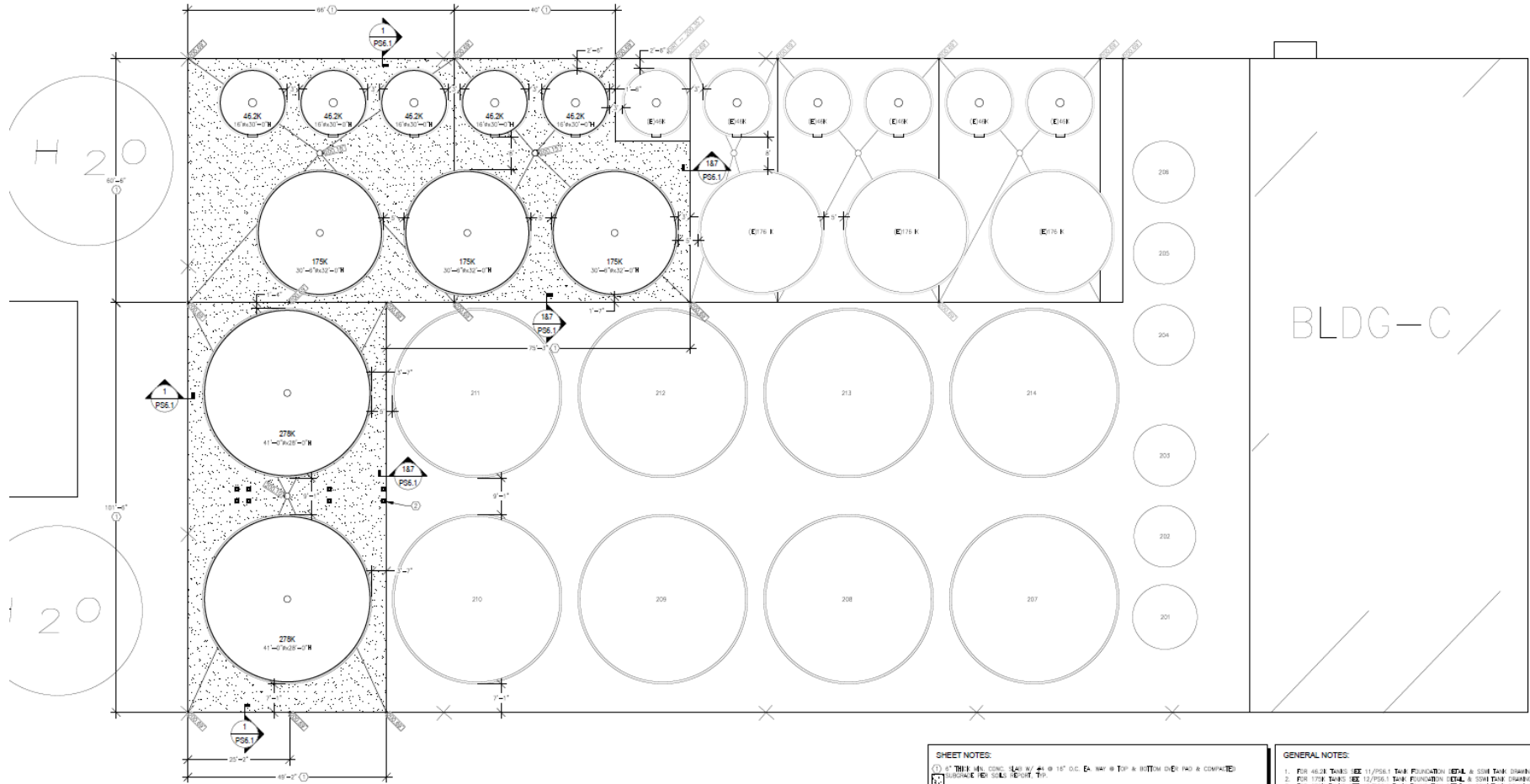


DEPARTMENT of PUBLIC WORKS and PLANNING
DEVELOPMENT SERVICES DIVISION

CUP 3669



Brandy Tank Farm Expansion



SHEET NOTES:

1. TANKS ARE CONC. SLAB ON 4" @ 18" O.C. EXCEPT TOP & BOTTOM DECKS COMPARTMENTED SUBGRADE. SEE SOIL REPORT, TYP.
2. TOP OF SLAB HEIGHTS: 45.2K = +300.60', 175K = +300.60', 278K = +300.60', 211-214 = +300.60', 209-207 = +300.60'. VERIFY ACTUAL DECK IN FIELD.
3. FOR CONSTRUCTION & CONTRACTION LIMITS SEE DETAILS 4/P56.1 & 5/P56.1
4. ENCLOSED CATALOG FRAMES. SEE SSM DRAWING SHEET 6038-000

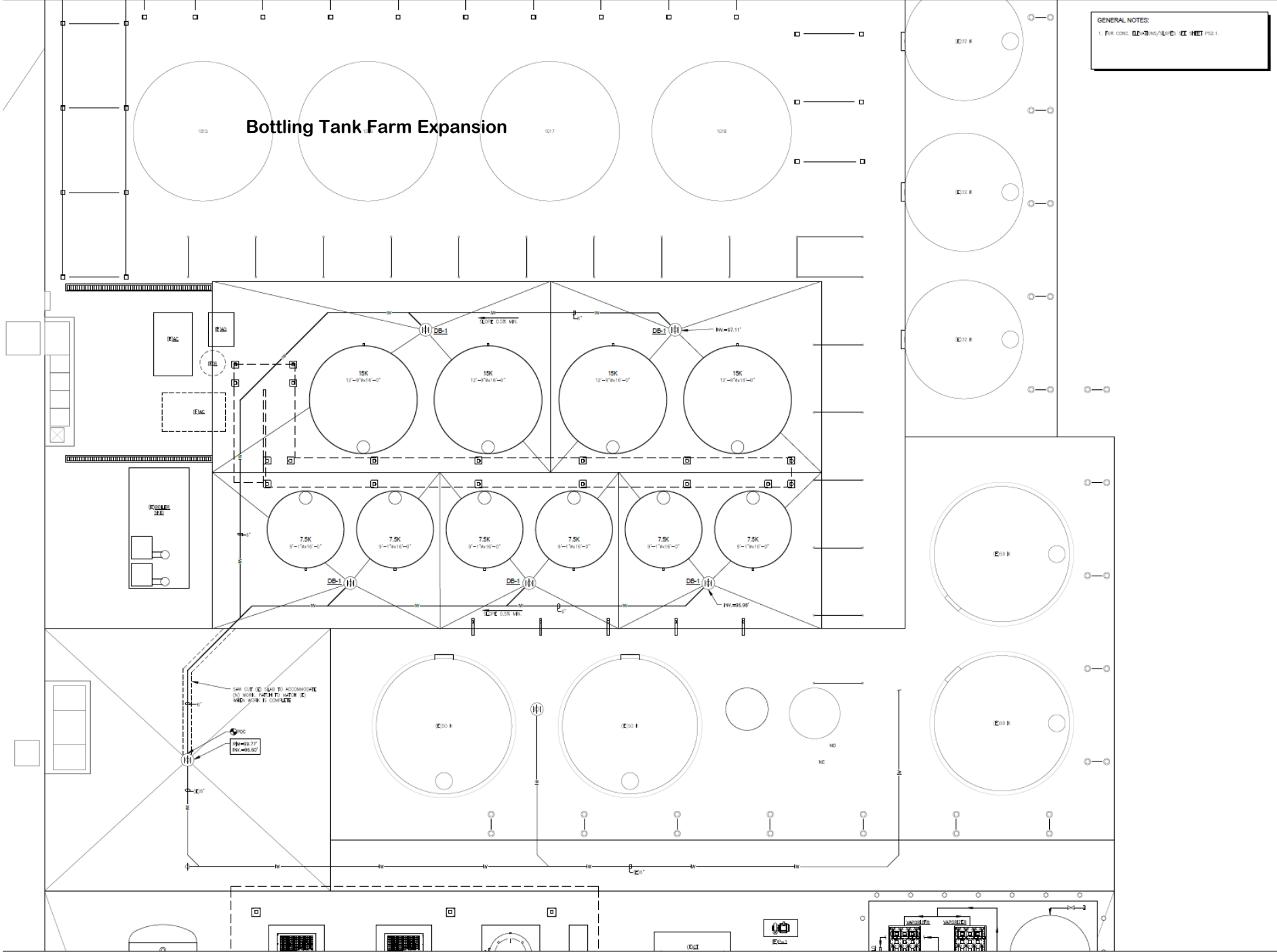
GENERAL NOTES:

1. FOR 45.2K TANKS SEE 11/P56.1 TANK FOUNDATION DETAIL & SSM TANK DRAWING 6031-000, TYP. OF 5
2. FOR 175K TANKS SEE 12/P56.1 TANK FOUNDATION DETAIL & SSM TANK DRAWING 6032-000, TYP. OF 3
3. FOR 278K TANKS SEE 13/P56.1 TANK FOUNDATION DETAIL & SSM TANK DRAWING 6033-000, TYP. OF 2



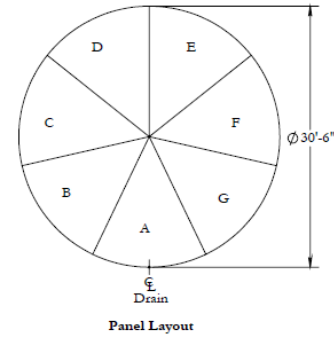
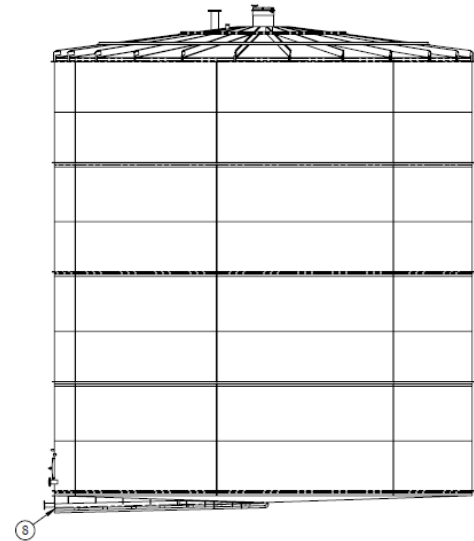
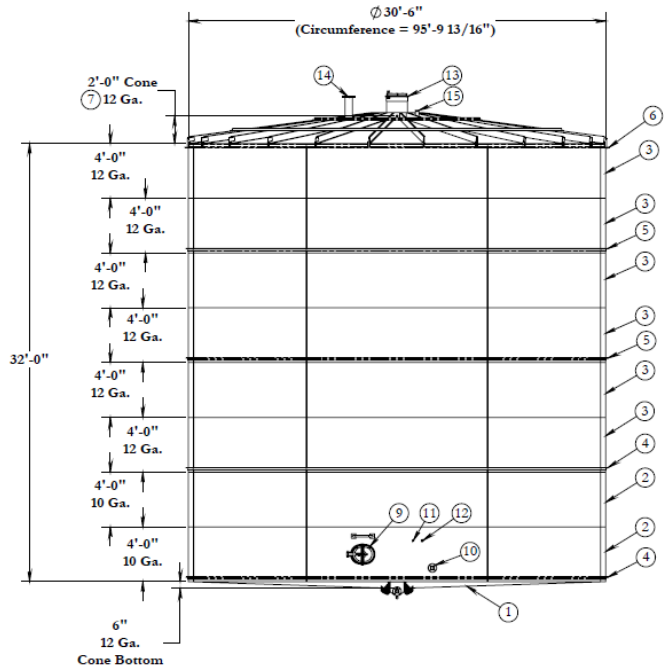
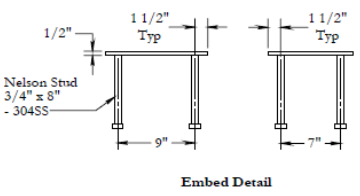
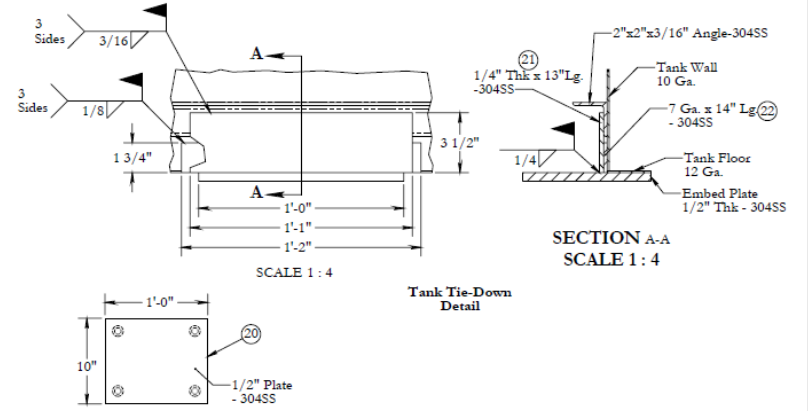
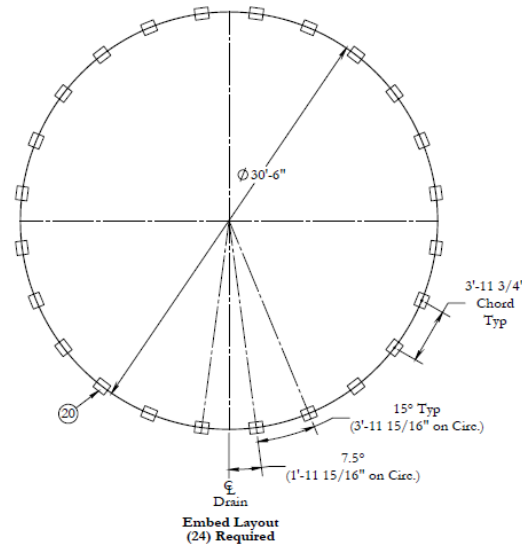
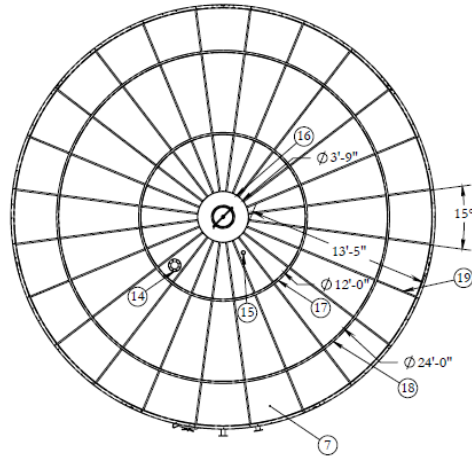
Bottling Tank Farm Expansion

GENERAL NOTES:
 1. FOR CONC. DE-1, INS. EQUIP. SEE SHEET 152.1.



SOME UTILITY LINES TO ACCOMMODATE
 FUTURE WORK. FUTURE WORK IS TO BE
 SHOWN WITH THE COMPLETE

REVISIONS		DESCRIPTION	DATE
ZONE	REV.		
	1	Initial Release	10/31/2019



Tank Approx. Wt.: 26,500 lbs.
 Tank Capacity: 175,000 gal.

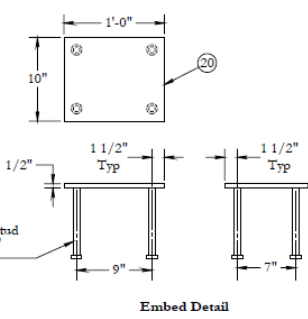
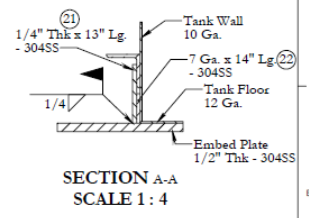
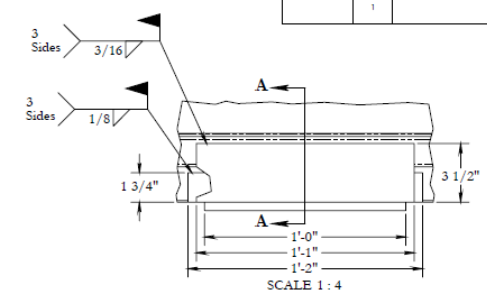
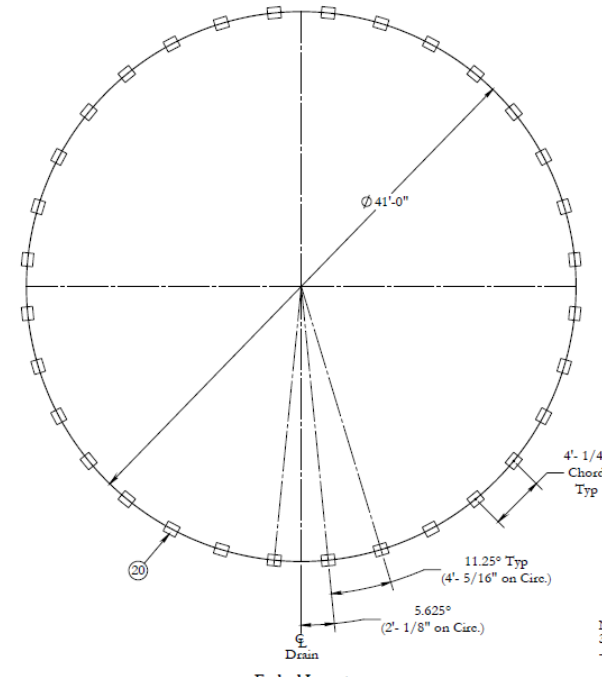
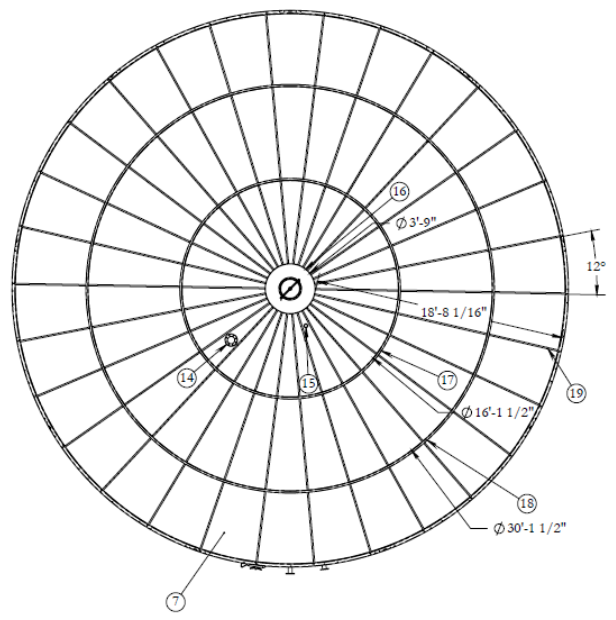
(3) Tanks		
22	24	Tie-Down Spacers - 7 Ga. x 1 3/4"x14" - 304SS
21	24	Tie-Downs - 1/4" plate x 3 1/2"x13" - 304SS
20	24	Embeds - 1/2" Plate w/ SS Nelson Studs per detail
19	24	Roof Rafter - 10 Ga. 6"x1 1/4" formed channel w/ 7 Ga. Tie-Downs - 304SS
18	1	Rafter Angle Outer - 2"x2"x3/16" - 304SS
17	1	Rafter Angle Inner - 2"x2"x3/16" - 304SS
16	1	Compression Ring - 3/8" x 6" flatbar - 304SS
15	1	Level Sensor Port - Ø3" TC - 304SS
14	1	Vent Port - 6" Flanged Pipe - 304SS
13	1	Top Manway - SSWI Std. 18" w/ safety grate and extension - 304SS
12	1	Thermowell - 18"Lg. w/ 1/2" FNPT Coupling - 304SS
11	1	Sample Port - 1/2" half-coupling - 304SS
10	1	Rack Port - 3" Flanged Pipe - 304SS
9	1	Manway - SSWI Std. 1620 w/ grab bar - 304SS
8	1	Drain Trough Assy w/ 3" Flanged Pipe Outlet - 304SS
7	1	Tank Cone Top - 12 Ga. 304SS
6	1	Chime Ring - 3"x3"x1/4" angle - 304SS
5	2	Tank Angles - Mid - 2"x2"x3/16" angle - 304SS
4	2	Tank Angles - Rigging - 2"x2"x3/16" angle - 304SS
3	6	Tank Bands - 12 Ga. 304SS
2	2	Tank Bands - 10 Ga. 304SS
1	1	Tank Floor - 12 Ga. 304SS
Item	Qty	Description

NOTICE:
 This plan is the sole property of Stainless Steel Welding, Inc. The design company and any related data contained herein is the intellectual property of Stainless Steel Welding, Inc. Duplication or use without prior written permission from Stainless Steel Welding, Inc. is prohibited. Call (509) 339-7114 for further permission.

SSWI FRESNO, CA
 559-233-7116
 JOB NO: 6032
 MAX TANK PRESSURE: 150 PSI
 MAX JACKET PRESSURE: 150 PSI
 YEAR OF PRODUCTION: 2019
 DANGER! CONFINED SPACE
 ENTER BY PERMIT ONLY
 DO NOT SCALE THIS DRAWING

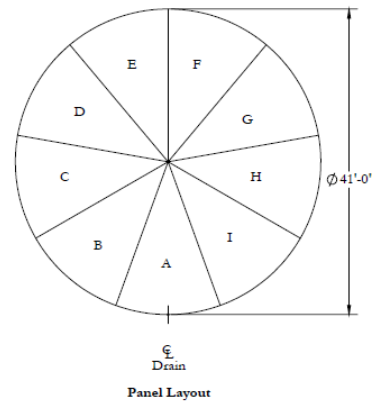
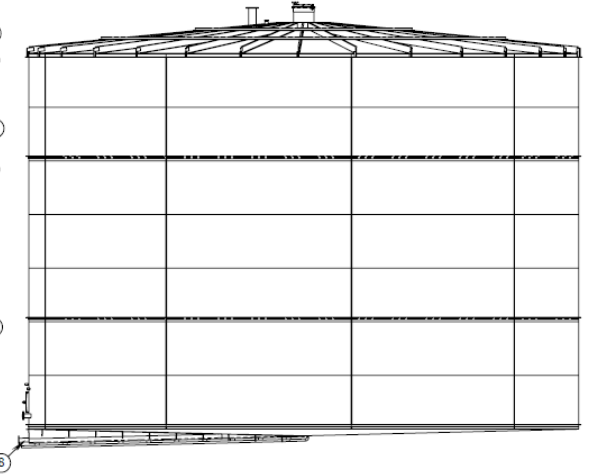
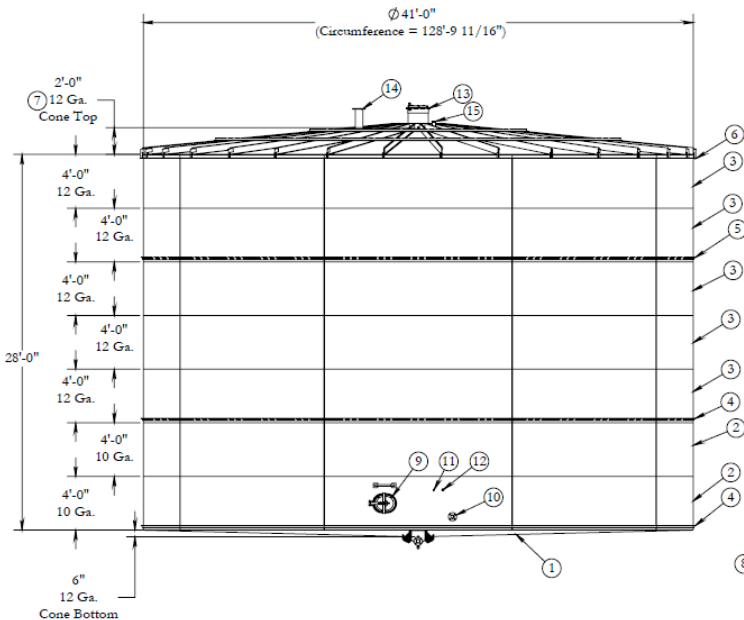
Approved	Date	Drawn by	Revised
	10/31/2019	PAJ	Rev 1
Customer	O'Neill Vintners & Distillers 8418 Lac Jac, Parlier, CA 93648		
Description	Ø30'-6" x 32'-0" SSH - 304 SS Liquid Storage Tank 175K Gallons		Sheet number of
	2550 S. East Avenue - Suite 101 B Fresno, CA 93706		Drawing number 6032-000

REVISIONS			
ZONE	REV.	DESCRIPTION	DATE
	1	Initial Release	10/31/2019



(2) Tanks

22	32	Tie-Down Spacers - 7 Ga. 1 3/4"x14" - 304SS
21	32	Tie-Downs - 1/4" plate x 3 1/2"x13" - 304SS
20	32	Embeds - 1/2" Plate w/ SS Nelson Studs per detail
19	30	Roof Rafters - 10 Ga. 6" x 1 1/4" formed channel w/ 7 Ga. tie-Downs - 304SS
18	1	Rafter Angle Outer - 2"x2"x3/16" - 304SS
17	1	Rafter Angle Inner - 2"x2"x3/16" - 304SS
16	1	Compression Ring - 3/8" x 6" flatbar - 304SS
15	1	Level Sensor Port - Ø3" TC - 304SS
14	1	Vent Port - 6" Flanged Pipe - 304SS
13	1	Top Manway - SSWI Std. 18" w/ safety grate and extension - 304SS
12	1	Thermowell - 18" Lg. w/ 1/2" FNPT Coupling - 304SS
11	1	Sample Port - 1/2" half-coupling - 304SS
10	1	Rack Port - 3" Flanged Pipe - 304SS
9	1	Manway - SSWI Std. 1620 w/ grab bar - 304SS
8	1	Drain Trough Assy w/ 3" Flanged Pipe Outlet - 304SS
7	1	Tank Cone Top - 12 Ga. 304SS
6	1	Chime Ring - 3"x3"x1/4" angle - 304SS
5	1	Tank Angle - Mid - 2"x2"x3/16" angle - 304SS
4	2	Tank Angles - Rigging - 2"x2"x3/16" angle - 304SS
3	5	Tank Bands - 12 Ga. 304SS
2	2	Tank Bands - 10 Ga. 304SS
1	1	Tank Floor - 12 Ga. 304SS
Item	Qty	Description



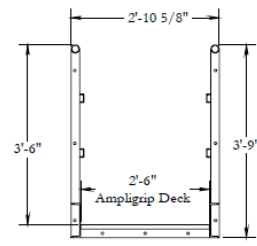
Tank Approx. Wt.: 36,600 lbs

Tank Capacity: 278,000 gal.

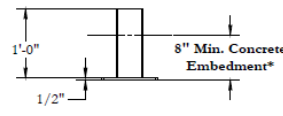
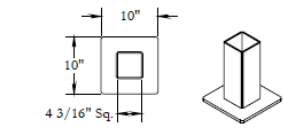
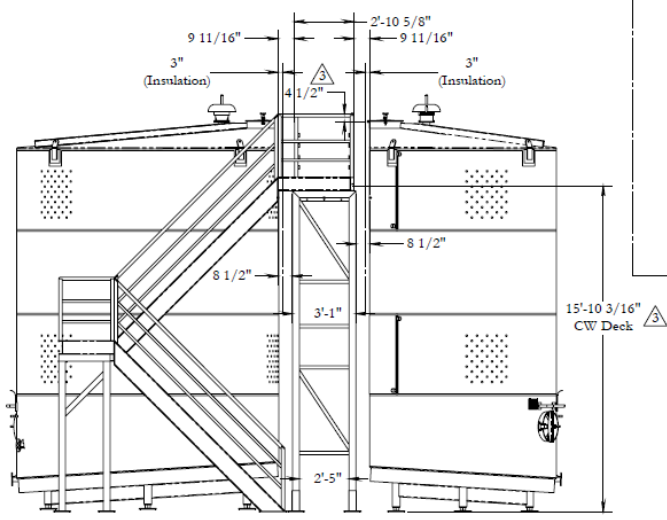
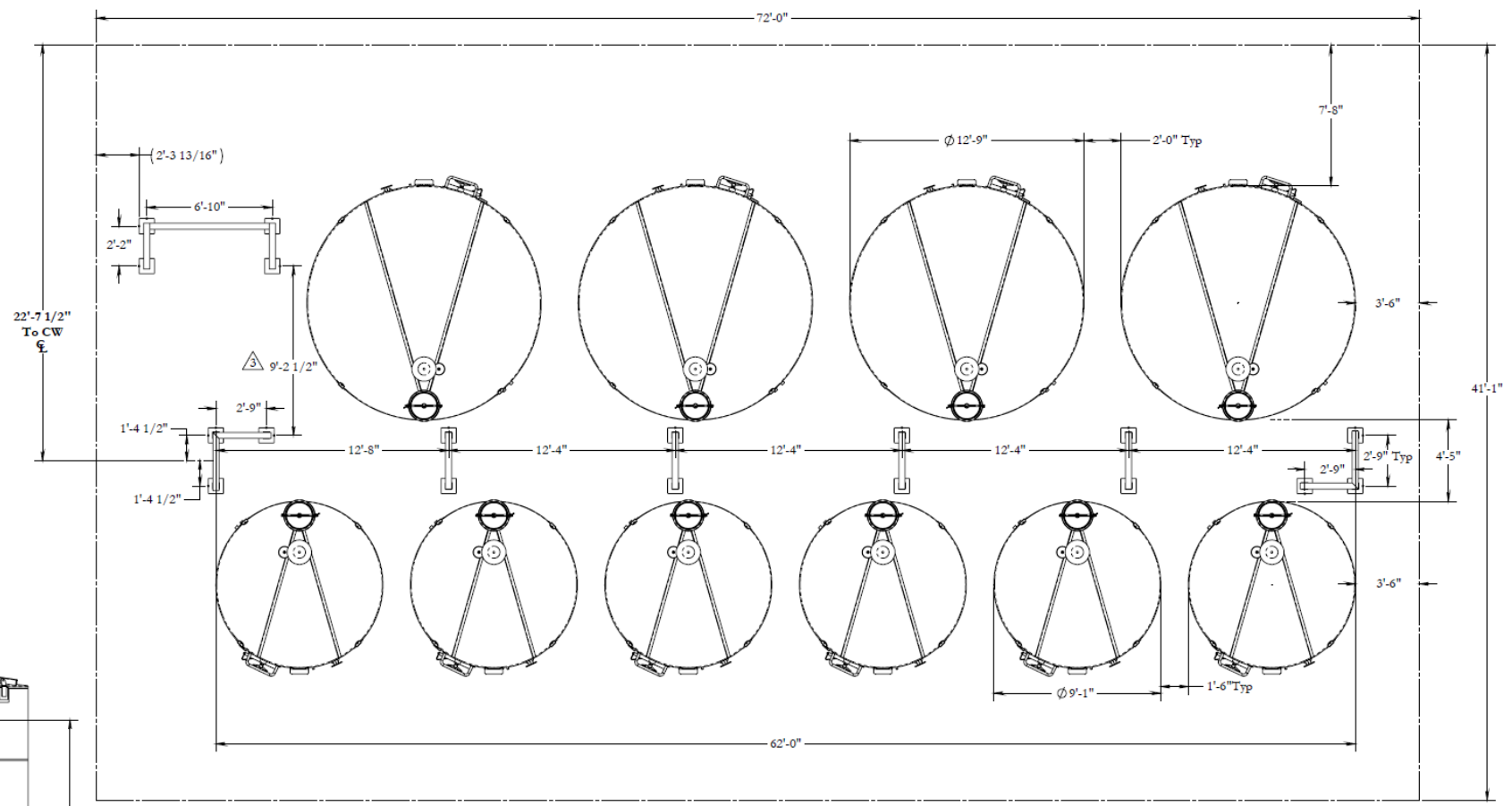
SSWI FRESNO, CA 559-2333-7116
 SANITARY STAINLESS WELDING, INC. JOB NO. 6033
 MAX TANK PRESSURE: N/A MAX JACKET PRESSURE: N/A YEAR OF PRODUCTION: 2019
 DANGER! CONFINED SPACE ENTER BY PERMIT ONLY

Approved	Date	Drawn by	Revised
	10/31/2019	PAJ	Rev 1
Customer: O'Neill Vintners & Distillers 8418 Lac Jac, Pazlar, CA 93648			
Description: Ø41'-0" x 28'-0" SSH - 304 SS Liquid Storage Tank 278K Gallons			Sheet number of
SSWI 2550 S. East Avenue - Suite 101 B Fresno, CA 93706			Drawing number 6033-000

REVISIONS			
ZONE	REV.	DESCRIPTION	DATE
	2	Added concrete pad outline and footing details	11/12/2019
B6, B7, C6	3	Height to CW deck was 15'-4 3/16" adjusted placement of switchback landing - 9'-2 1/2" was 9'-0"; handrail was 1 1/2" below midway fm, now 4 1/2" above;	11/20/2019



Typical Catwalk Section
SCALE 1 : 16



Typical Height Adjustable Footing Socket (18) Req'd

SCALE 1 : 12

*ALL SUBMERGED ALUMINUM MUST RECEIVE THIN COAT OF MASTIC, TYP

- Catwalk, Stairways and Supports are Aluminum.
- Tanks and Tank Bases are 304SS.

CUSTOMER APPROVAL ONLY
This drawing must be signed and returned within 5 working days of receipt, any delay could result in the delay of the production start date.
CUSTOMER SIGN HERE **DATED**

NOTICE:
This plan is the sole property of Sweeney Stainless Welding, Inc. The design concept and any technical data contained herein is the intellectual property of Sweeney Stainless Welding, Inc. Reproduction of this drawing is prohibited unless written permission from Sweeney Stainless Welding, Inc. is granted.
Call (509) 339-7114 for further permission.

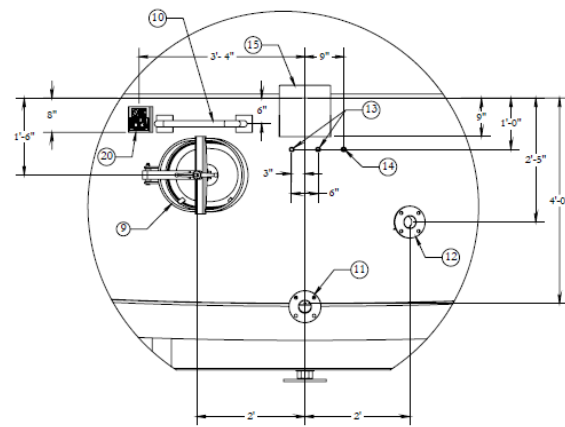
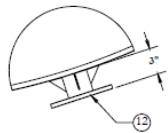
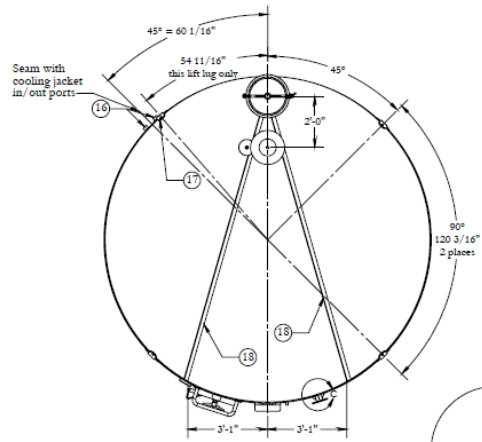
Approved	Date	Drawn by	Revised
	11/7/2019	PAJ	Rev 3

Customer: **O'NEILL VINTNERS & DISTILLERS**
8418 Lac Jac, Parlier, CA 93648

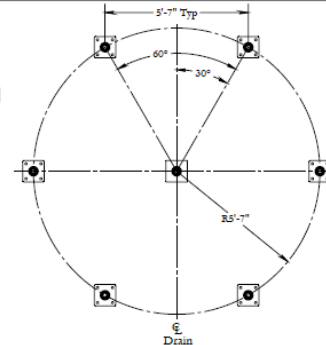
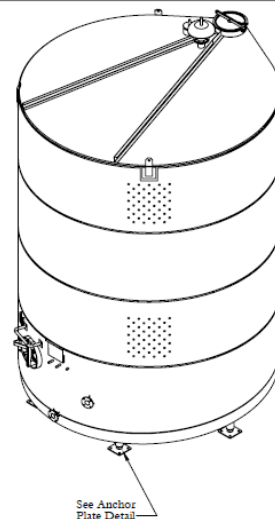
Description: **Bottling Tank & CW Layout** Sheet number of

SSWI 2550 S. East Avenue - Suite 101 B
Fresno, CA 93706 Drawing number 6025-000

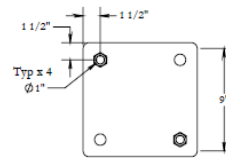
DO NOT SCALE THIS DRAWING



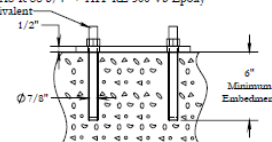
DETAIL A
SCALE 1:16



FOOT PLATE LAYOUT



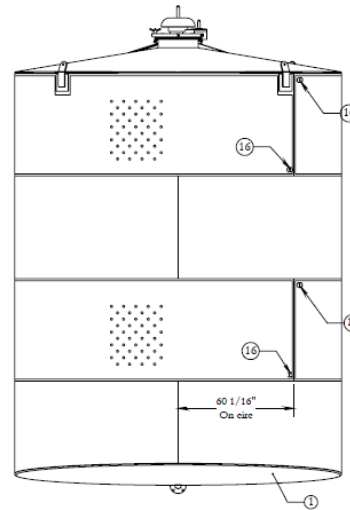
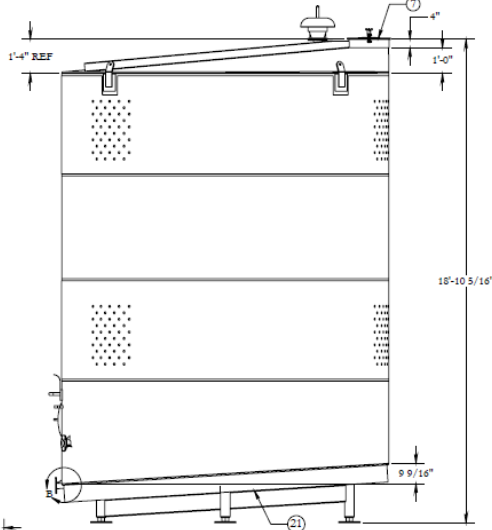
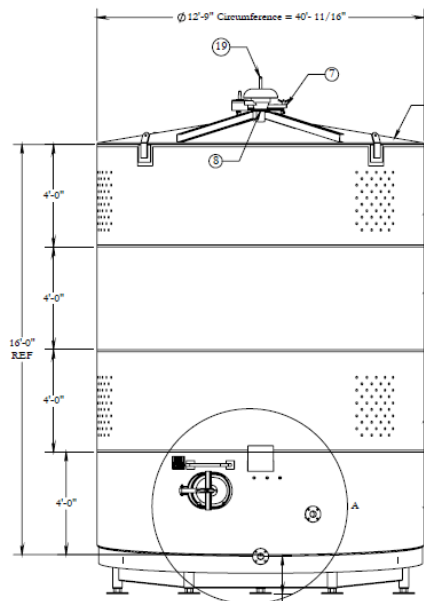
Hilti HAS-R-SS 3/4\" + HIT-RE 500 V3 Epoxy or Equivalent



Detail Anchor Plate - 1/2\" 304SS
TYP (6) Pic - Outside Legs

ANCHORING TANK BASES:

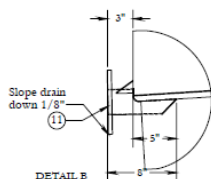
USE TWO (2) HILTI HAS-R-SS 3/4 ANCHOR + HIT-RE 500 V3 EPOXY PER OUTSIDE LEG ONLY (12 PER TANK) WITH MINIMUM OF 6\" EMBEDMENT



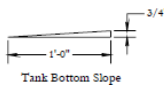
Approximate weights
Tank 5,450 lb
Base 2,350 lb
Total tank & base weight 7,800 lb

Back view with base removed

- (4) - TANKS REQ'D
- (2) - LEFT HAND JACKETED ONLY (AS SHOWN)
- (2) - RIGHT HAND JACKETED ONLY



DETAIL B
SCALE 1:8



Tank Bottom Slope

CUSTOMER APPROVAL ONLY
This drawing must be signed and returned within 5 working days of receipt, any delay could result in the delay of the production start date
CUSTOMER SIGN HERE DATED

SSWI FRESNO, CA
539-233-7116
JOB NO: 6024

MAX TANK PRESSURE	MAX JACKET PRESSURE	YEAR OF PRODUCTION
100	100	2019

DESIGN IS TO BE USED FOR GAS OR LIQUID SERVICE ONLY & 100% MAX. PRESS. AT ALL TIMES TO BE MAINTAINED.
DANGER! CONFINED SPACE ENTER BY PERMIT ONLY

25	4	5/8" SS flat washers - Not shown	Vent
24	8	5/8" SS lock washers - Not shown	Vent
23	8	5/8"-11 NC SS hex nut - Not shown	Vent
22	4	5/8"-11 NC x 2 1/2" hhex - 304 SS - Not shown	Vent
21	1	Tank base - 304 SS	
20	1	SSWI nameplate/warning signboard - 304 SS per detail	
19	8	4" Protectoral - Alum Vent w/1/2 oz Pressure & Vacuum w/1/8" PF white nitrile flange gasket	
18	2	Rafters - 10 ga 304 SS x 4" x 1 1/4" flange	
17	4	Lift lugs - 1/2" x 4" #7 - 304 SS w/10 ga 304 SS doubler x 3" x 3"	
16	4	Cooling jacket in/out ports - 1 1/2" 304 FNPT half coupling	
15	1	Temp hood - 12 ga 304 SS	
14	1	Sample port - 1/2" fnpt coupling - 304 SS	
13	2	Thermo well - 1/2" fnpt x 12" - 304 SS	
12	1	Packing port - 3" x 125# SO tube flange with O 3" x .065w 304 SS tube	
11	1	Full bottom drain - 3" x 125# SO tube flange with O 3" x .065w 304 SS tube	
10	1	Grab bar - 304 SS (To be shipped loose)	
9	1	1620 In/out swing manway - 304 SS	
8	1	Vent port - 4" x 125# SO tube flange with O 4" x .065w 304 SS tube	
7	1	Top manway - O 18" - 304 SS	
6	1	Truncated top - 10 ga 304 SS 2b x 12" high	
5	1	Top jacketed band - 12 ga x 48" w/18 ga jacket x 46" - 304 SS	
4	1	Shell band - 12 ga 304 SS x 48"	
3	1	Jacketed shell band - 12 ga x 48" w/18 ga x 46" 304 SS jacket - 304 SS	
2	1	Bottom shell band - 12 ga 304 SS x 48" tapered	
1	1	Tank floor - 10 ga 304 SS	

ITEM QTY DESCRIPTION DETAIL

NOTICE: This project is the sole property of: Sweeney Stainless Welding, Inc. The design concept and any related file contained herein is the intellectual property of Sweeney Stainless Welding, Inc. Reproduction of this drawing is prohibited unless written permission from Sweeney Stainless Welding, Inc. is required. Call (539) 233-7116 for further information.

Approved	Date	Drawn by	Revised
	10/22/2019	PAJ	REV 1

Customer: **O'NEILL VINTNERS & DISTILLERS**
8418 LAC JAC AVE., PARLIER, CA 93648

Description: **O 12'-9" X 16'-0" X 15,000 GALLON TANK** Sheet number of: **6024-000**

2250 S. East Avenue - Suite 101B
Fresno, CA 93706
Drawing number: **6024-000**