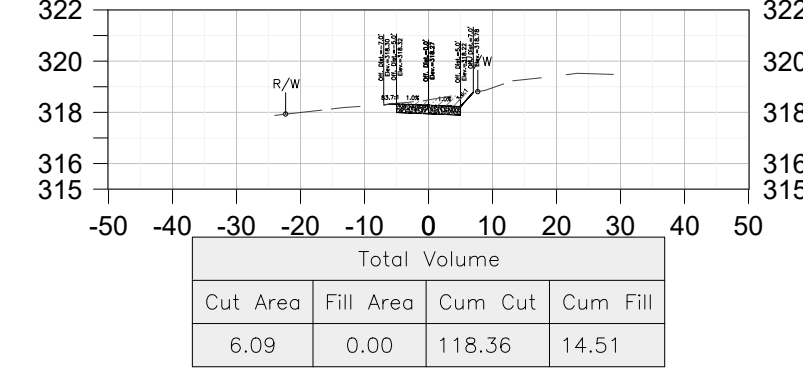
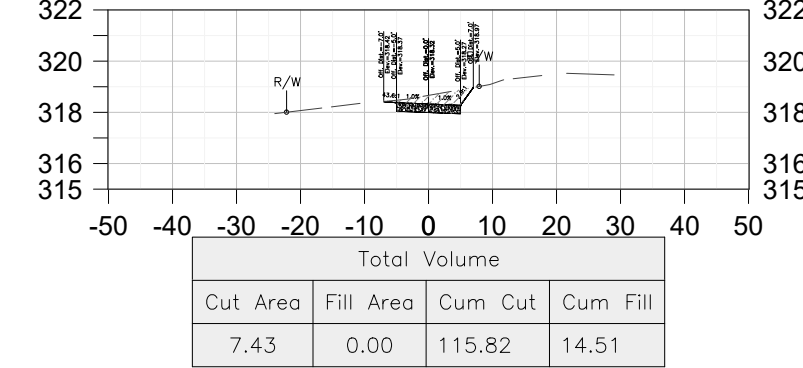
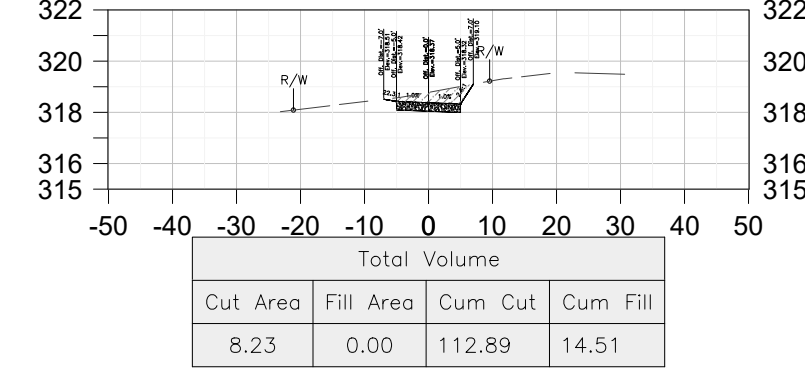
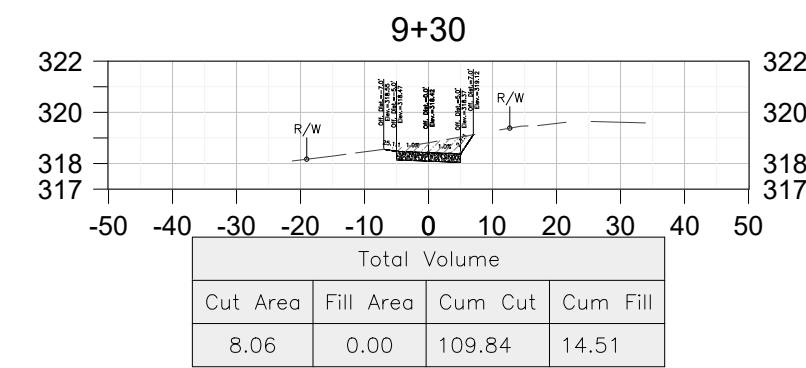
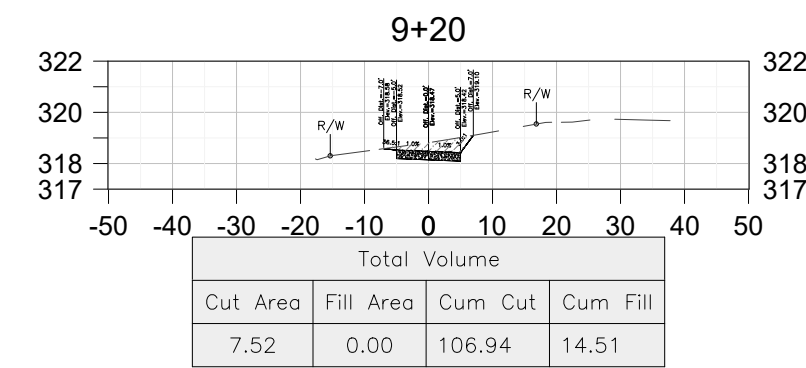
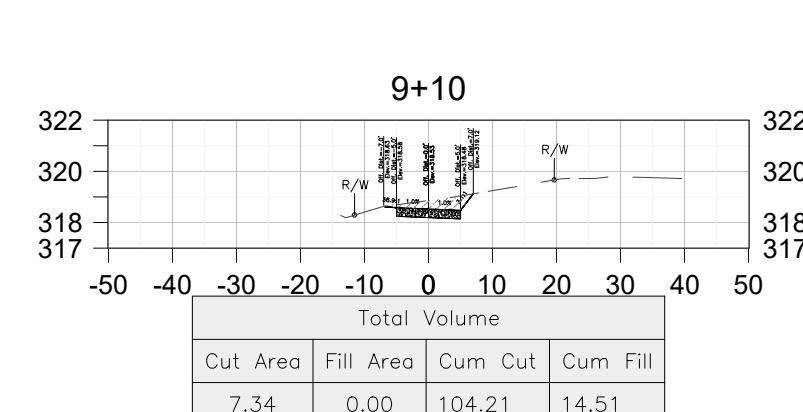
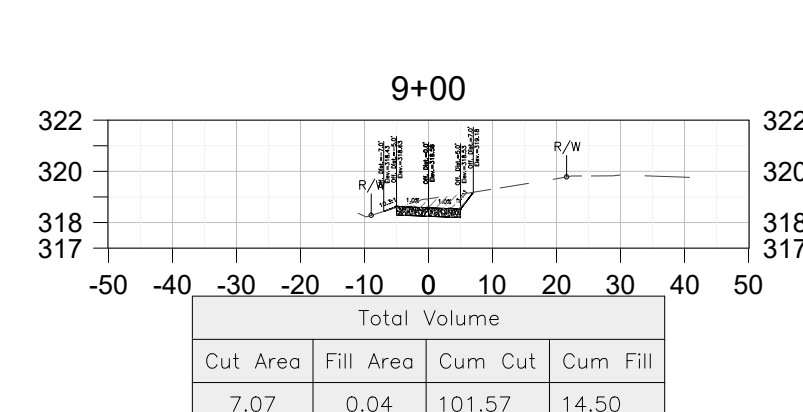
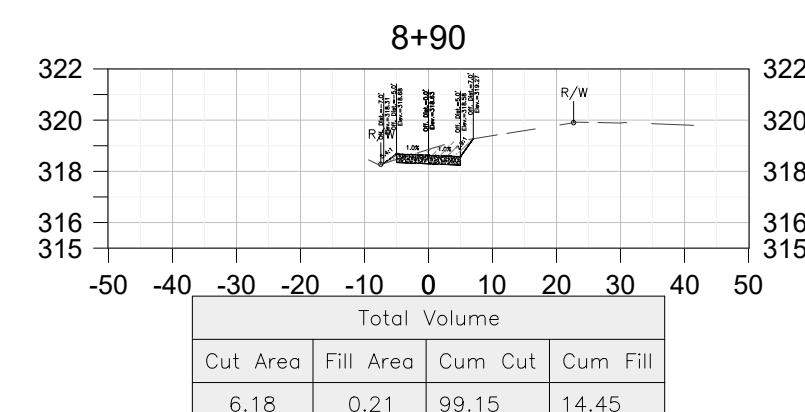
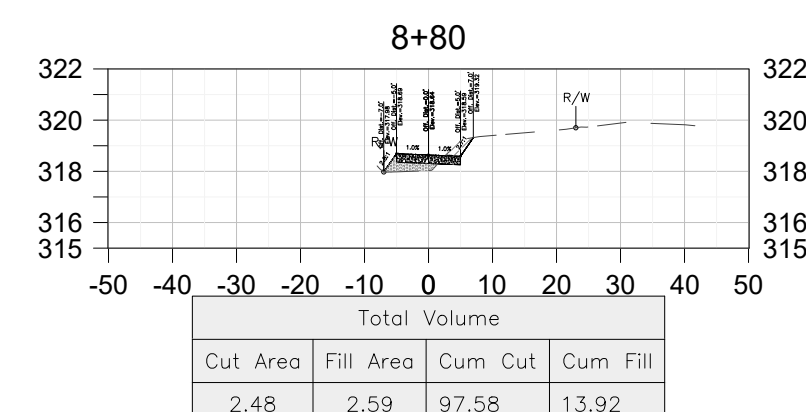
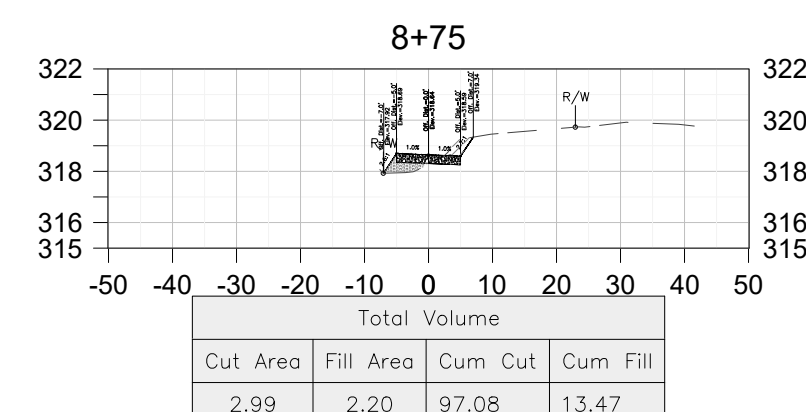
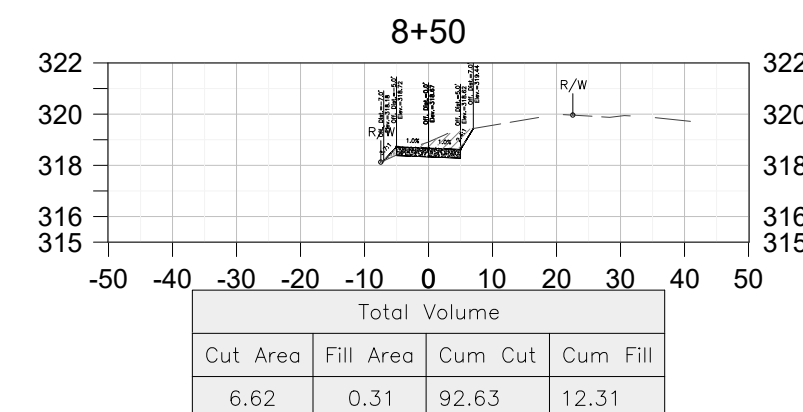
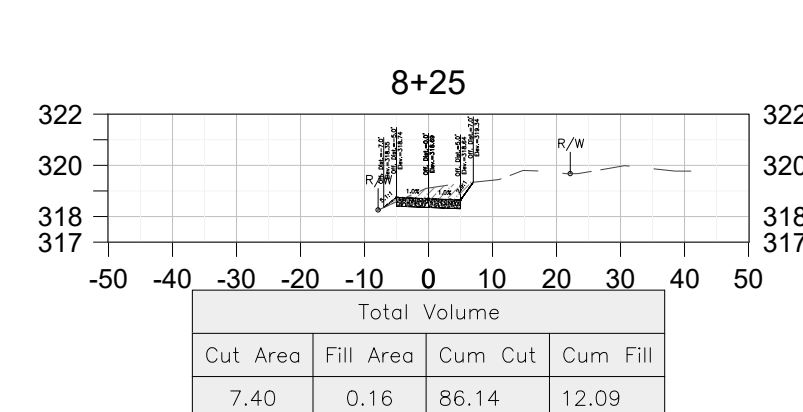
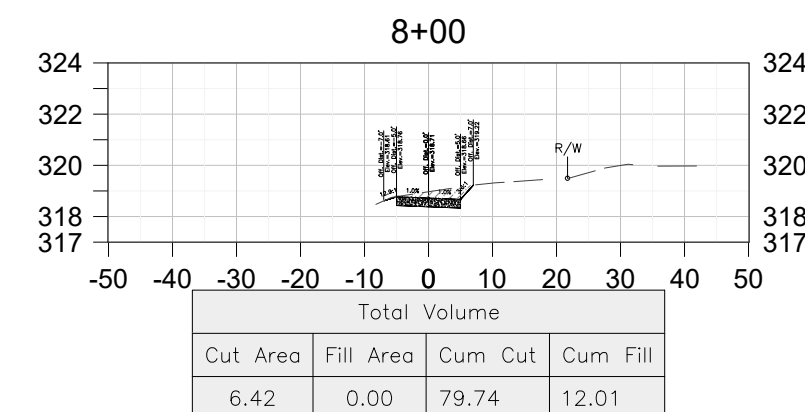
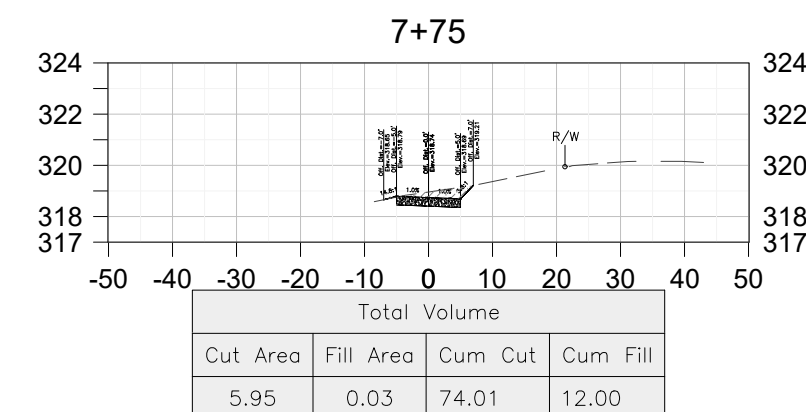
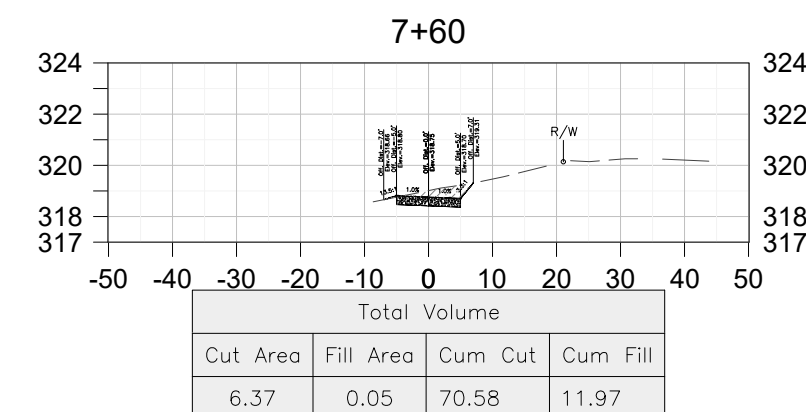
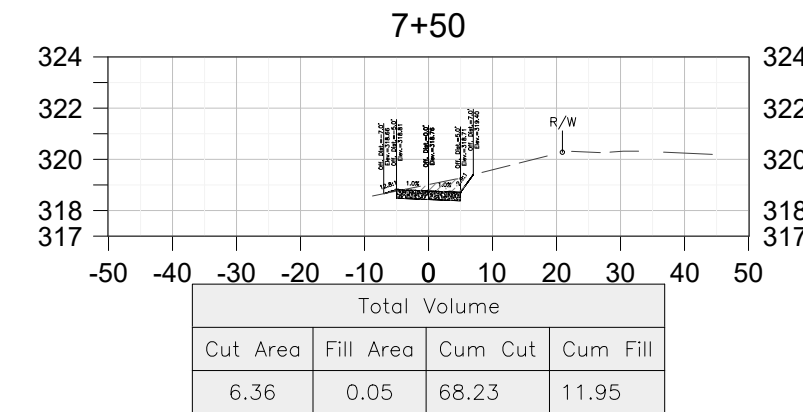
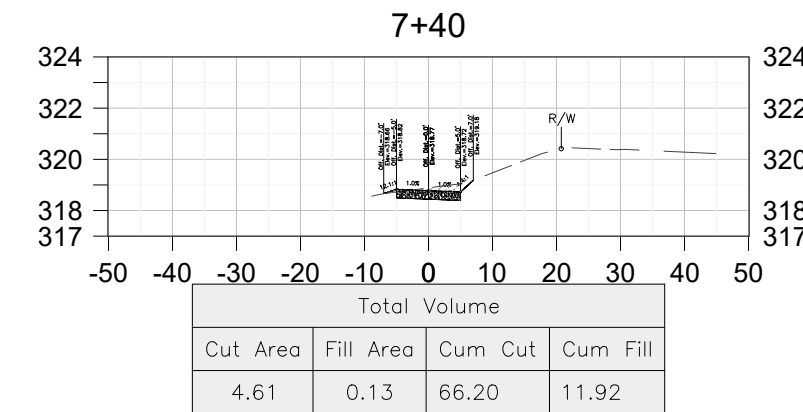
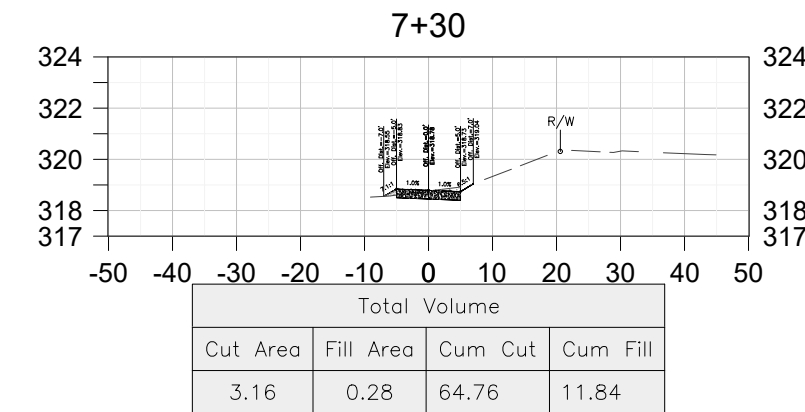
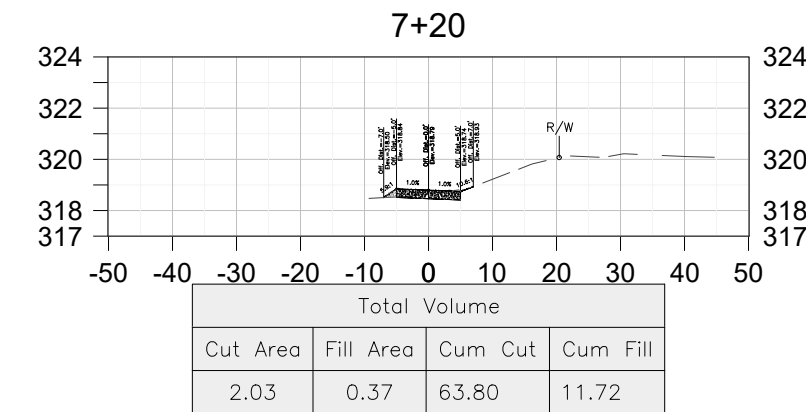
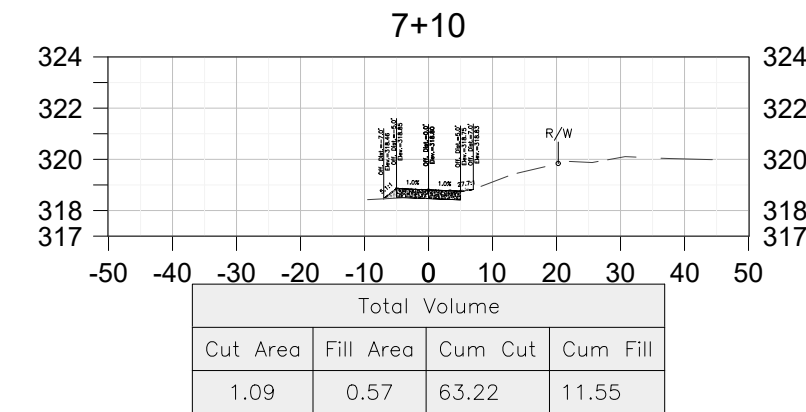
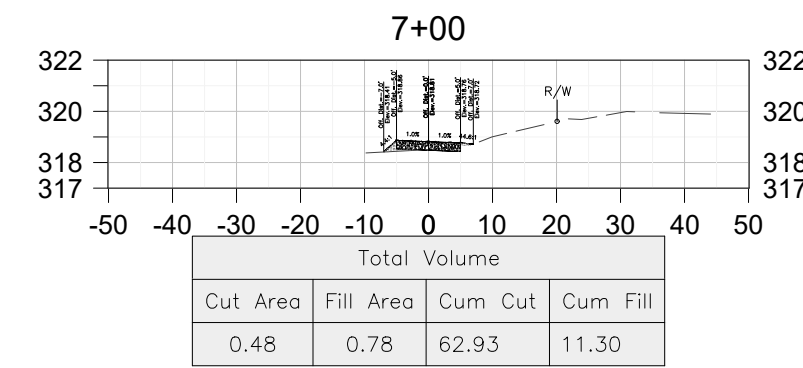
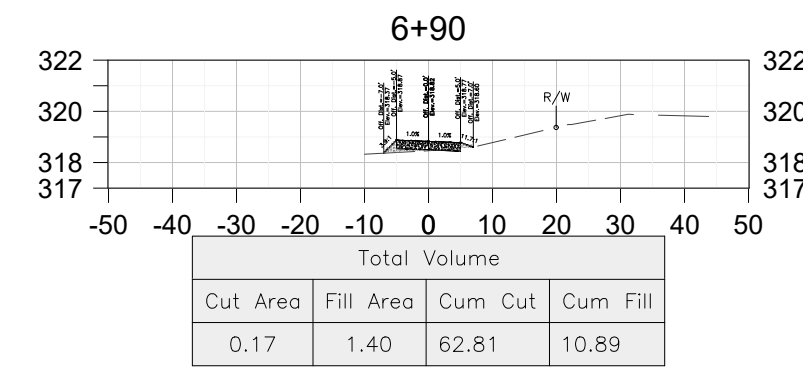
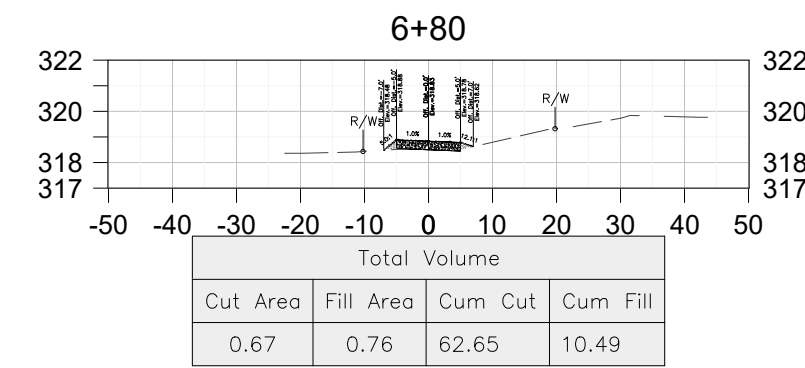
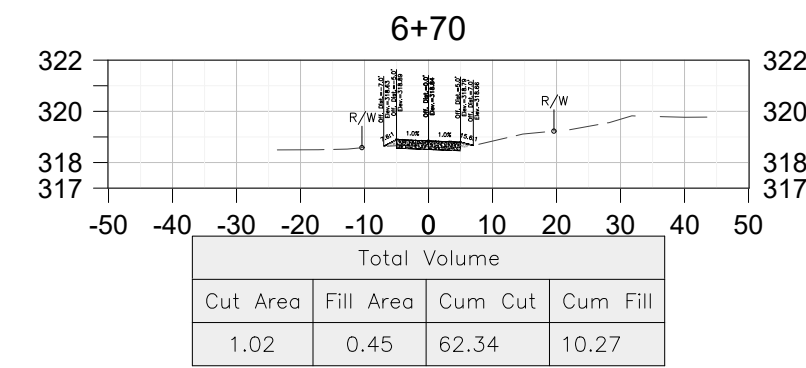
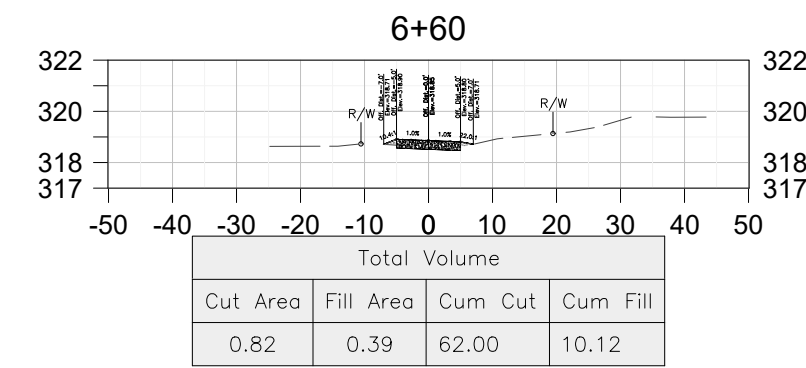
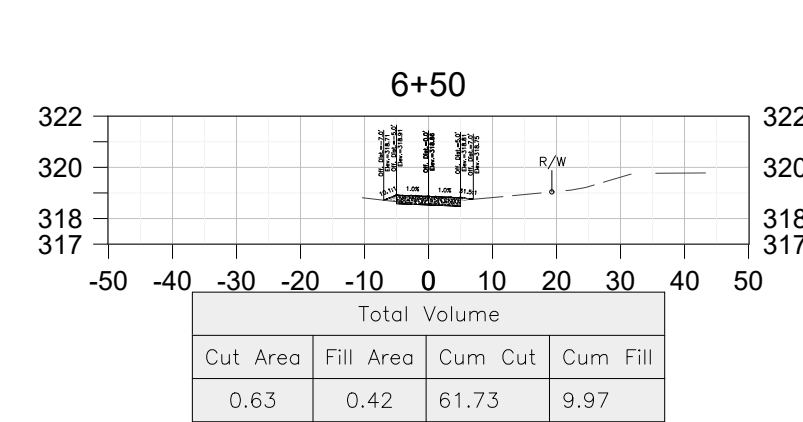
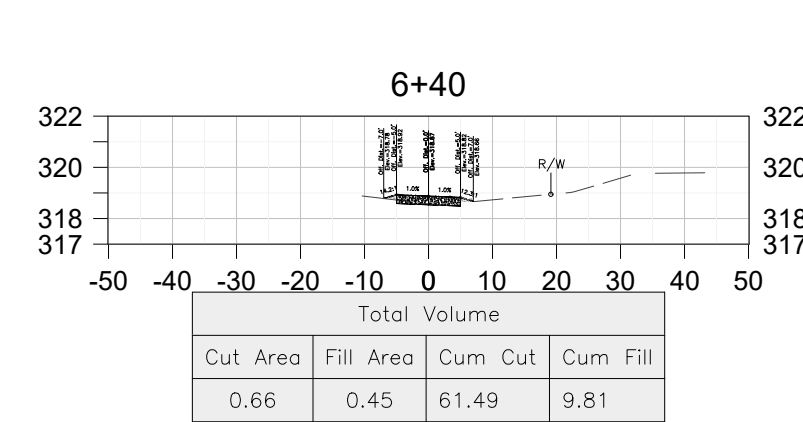
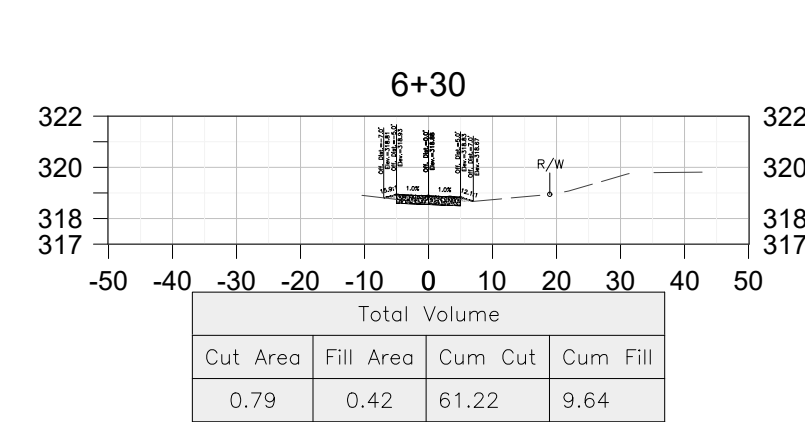
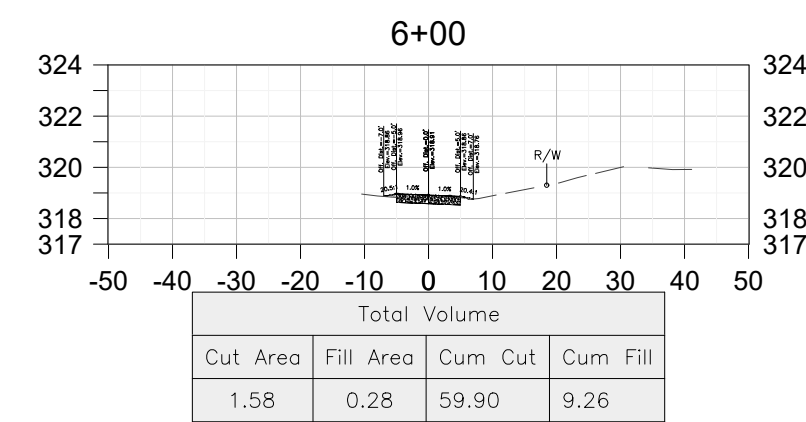
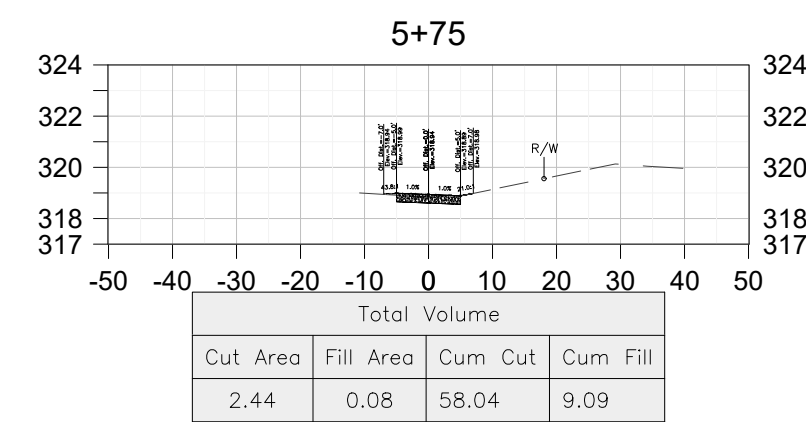


THESE CROSS SECTIONS ARE FOR THE CONTRACTOR'S INFORMATION ONLY. THEY ARE NOT TO BE CONSIDERED TO BE PART OF THE CONTRACT DOCUMENTS AND SHALL HAVE NO BEARING WHATSOEVER ON THE INTERPRETATION OF THE STANDARD SPECIFICATIONS, THE STANDARD PLANS, THE SPECIAL PROVISIONS, NOR SHALL THEY HAVE ANY BEARING WHATSOEVER ON THE INTERPRETATION OF THE OTHER PUBLICATIONS REFERENCED THEREIN.

DESIGNED: D.K.	DATE: ----	RECORD DRAWING		SCALE		PROJECT		DEPARTMENT OF PUBLIC WORKS AND PLANNING	
DRAWN: J.D.	DATE: ----	RESIDENT ENGINEER	DATE	0 30' 60'		FANCHER CREEK TRAIL PROJECT		SECTION VIEW (1)	
CHECKED: D.S.	07/06/2020					IMPROVEMENTS		-	
FOR RIGHT OF WAY DATA AND ACCURATE ACCESS DETERMINATION, SEE DOCUMENTS IN THE DEPARTMENT OF PUBLIC WORKS AND PLANNING.				SUPERVISING ENGINEER		DATE		ROAD NO. N/A	
						BRIDGE NO. N/A		DRAWING NO. 11292	
								SHEET NO. 1	
								TOTAL 16	

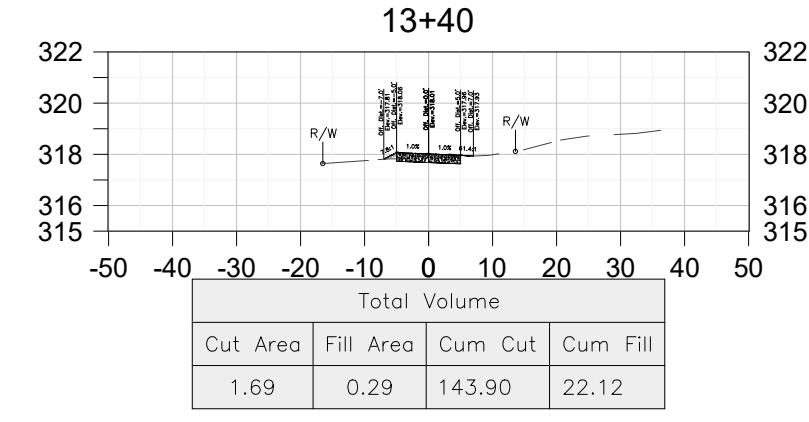
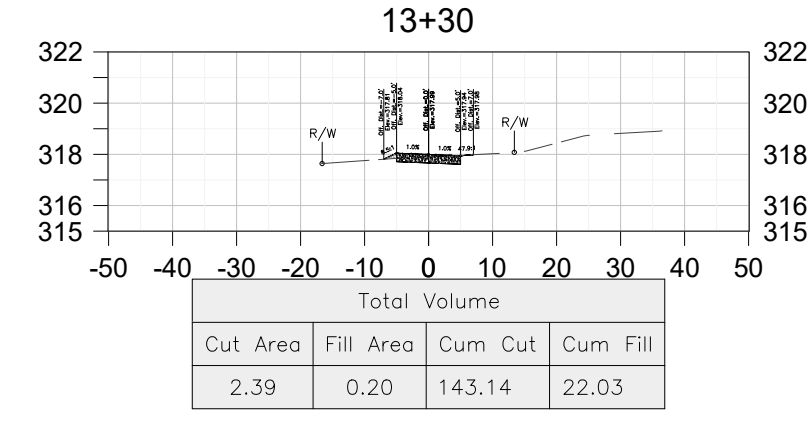
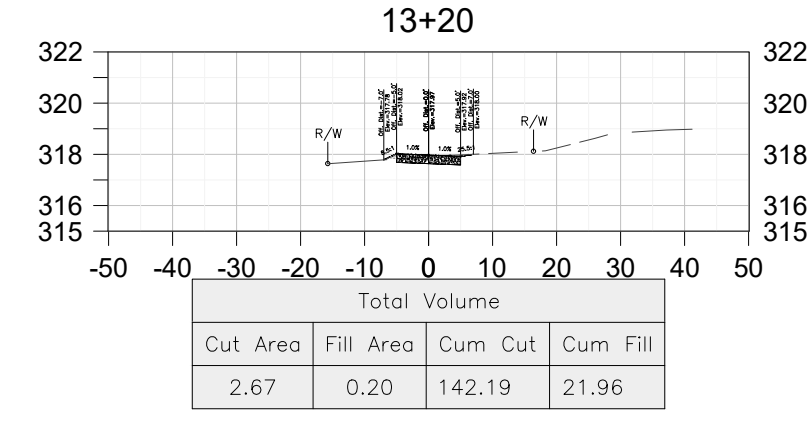
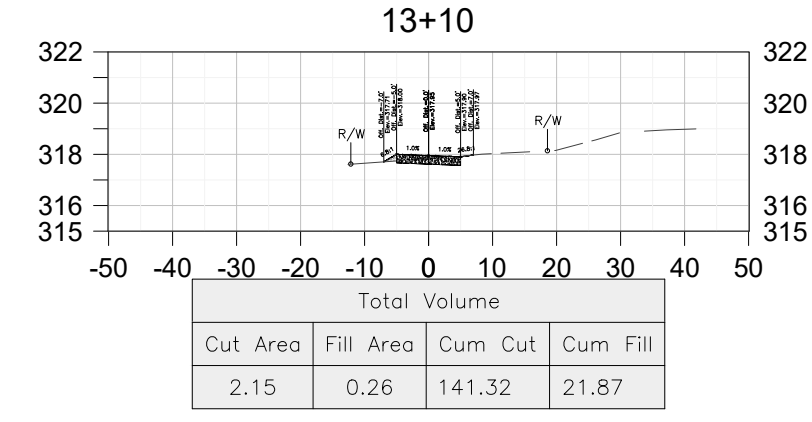
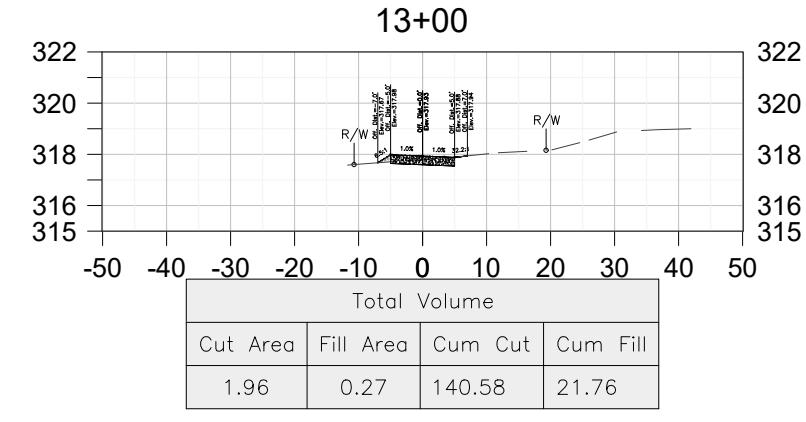
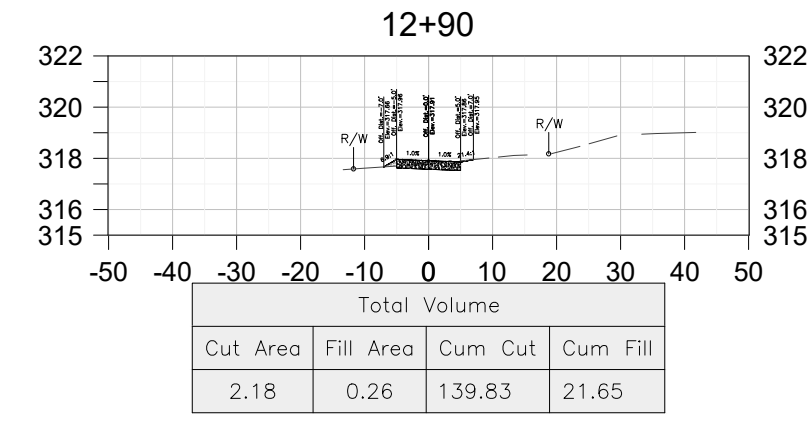
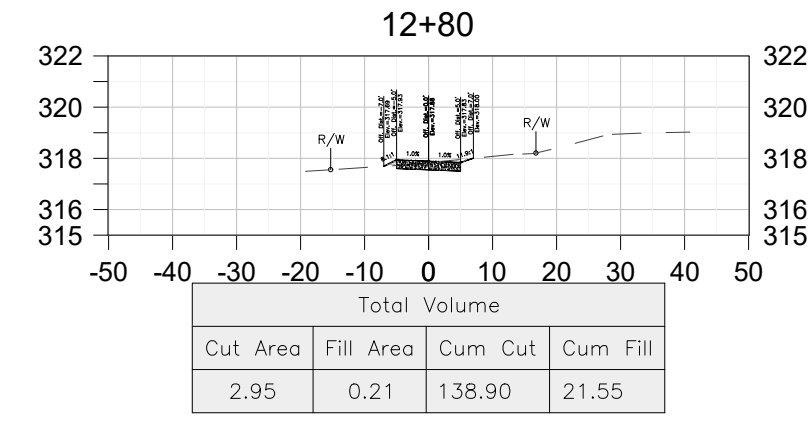
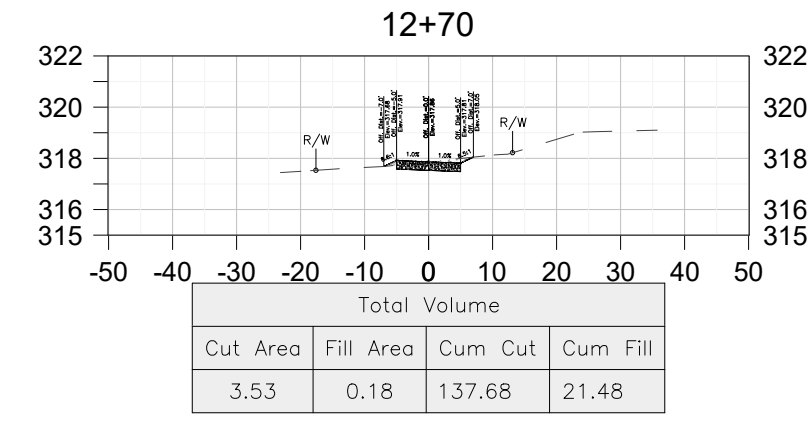
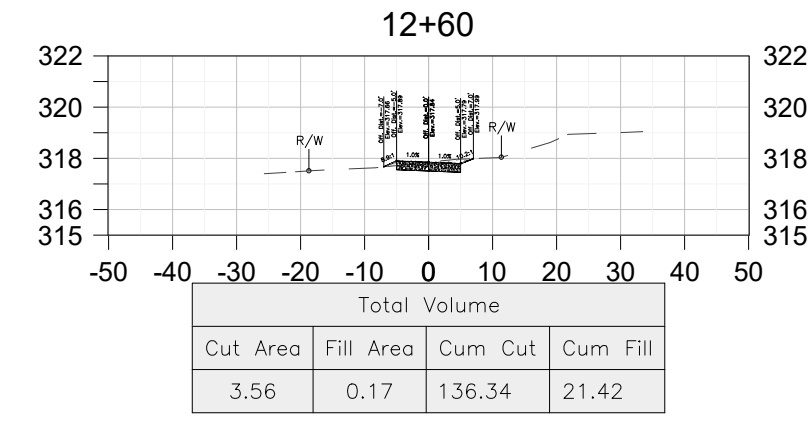
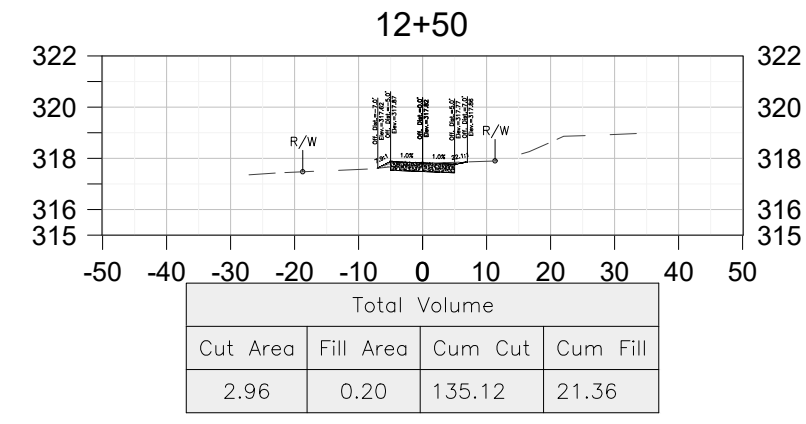
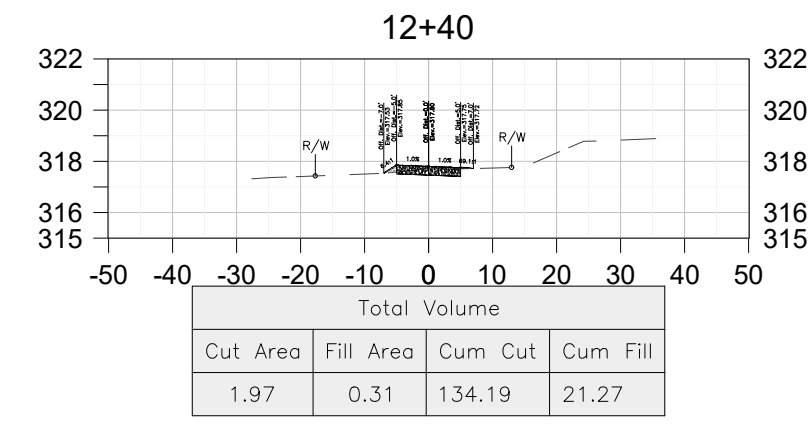
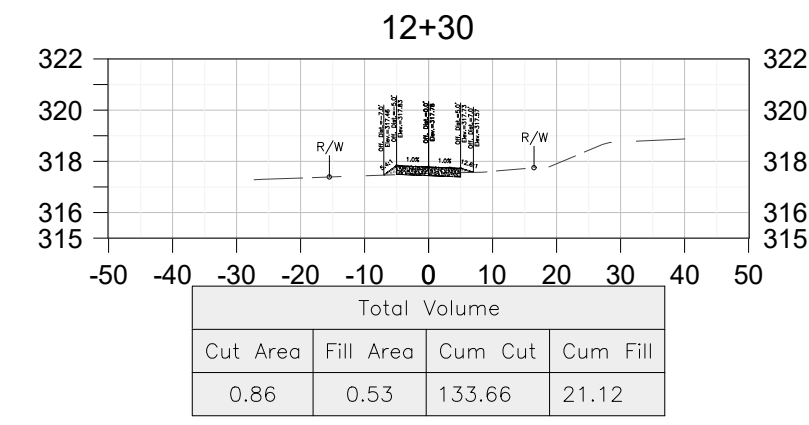
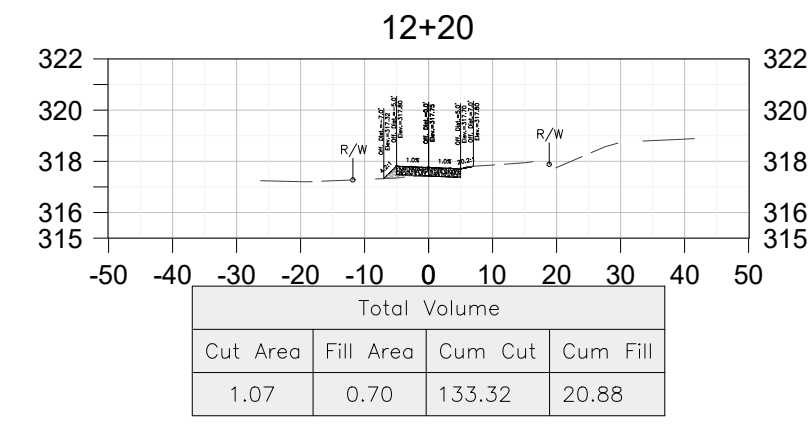
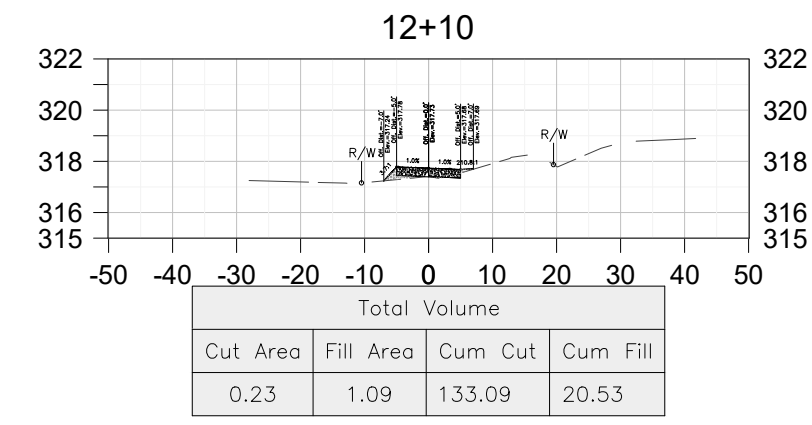
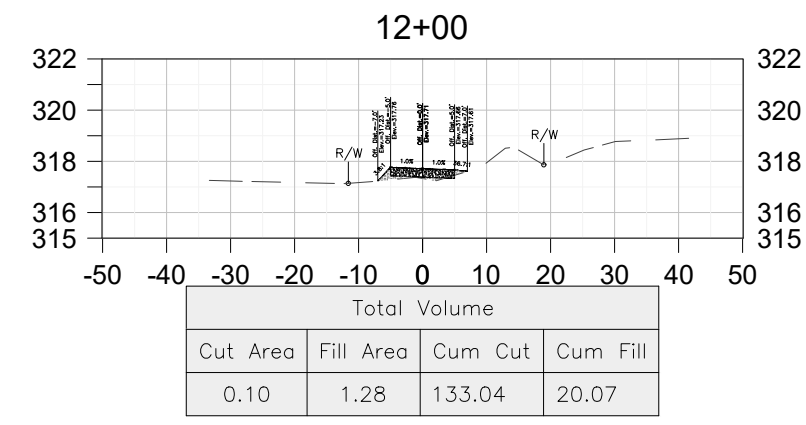
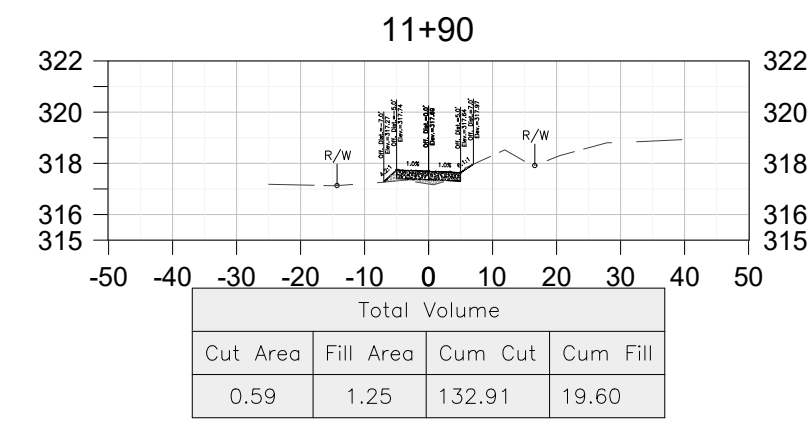
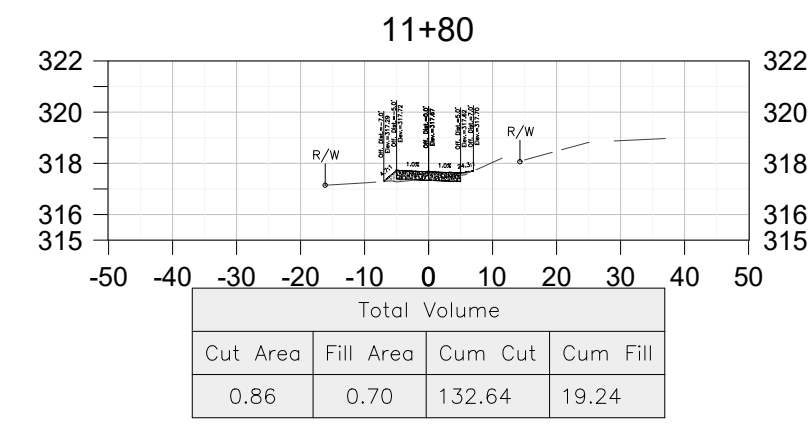
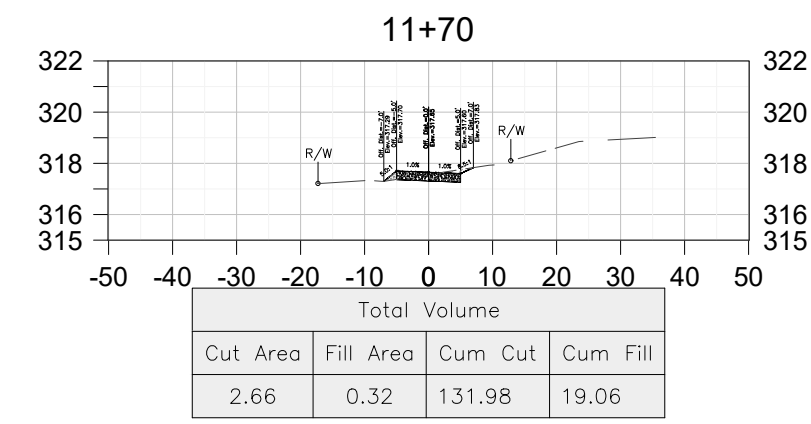
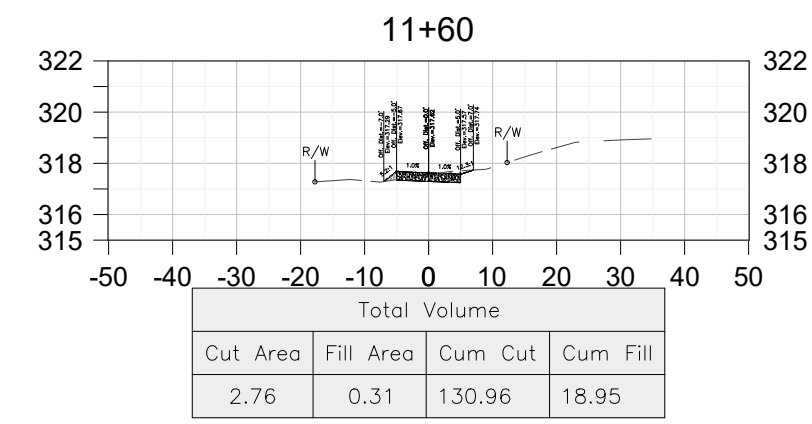
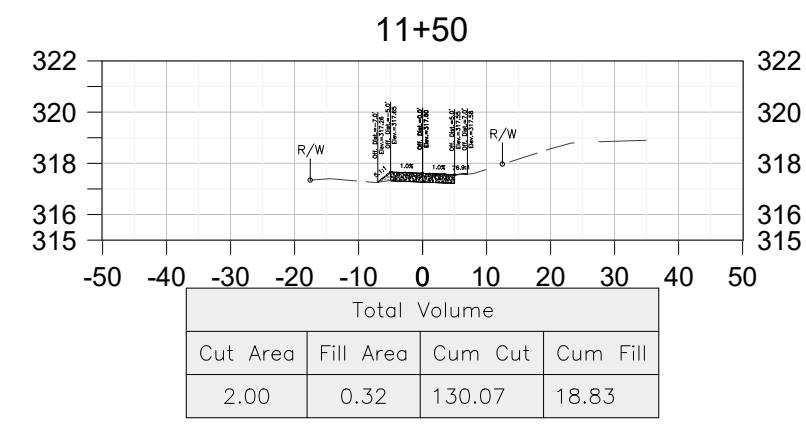
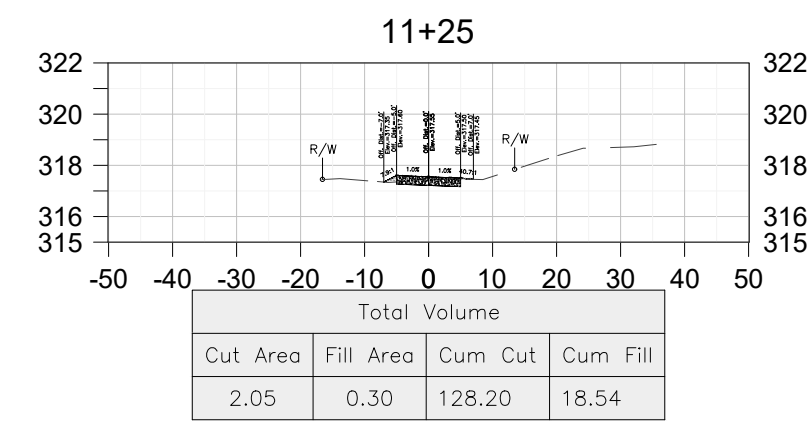
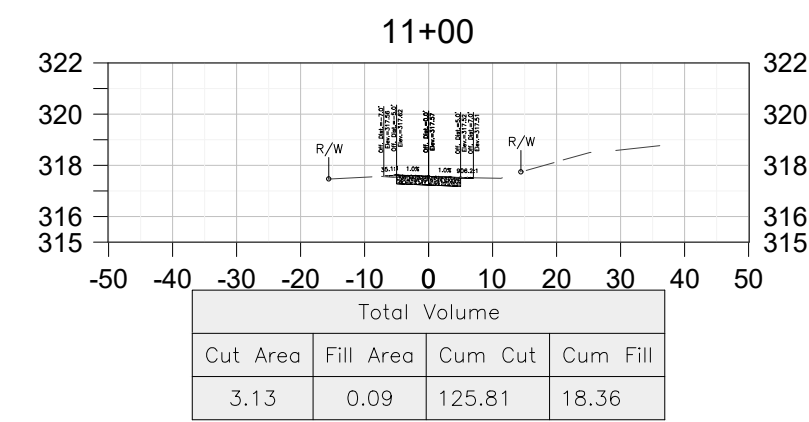
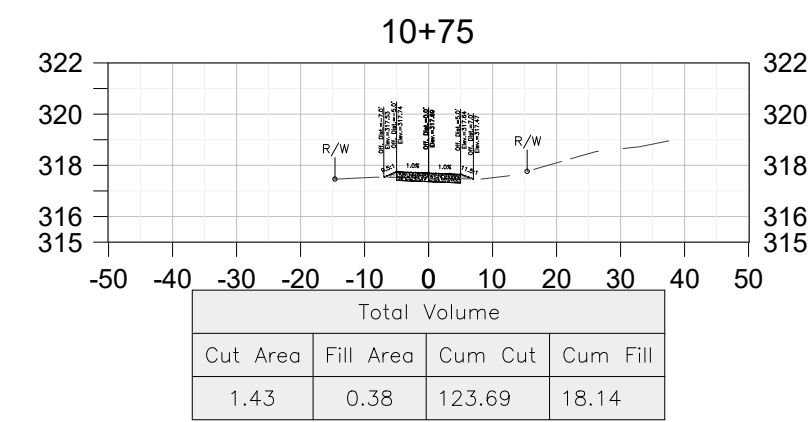
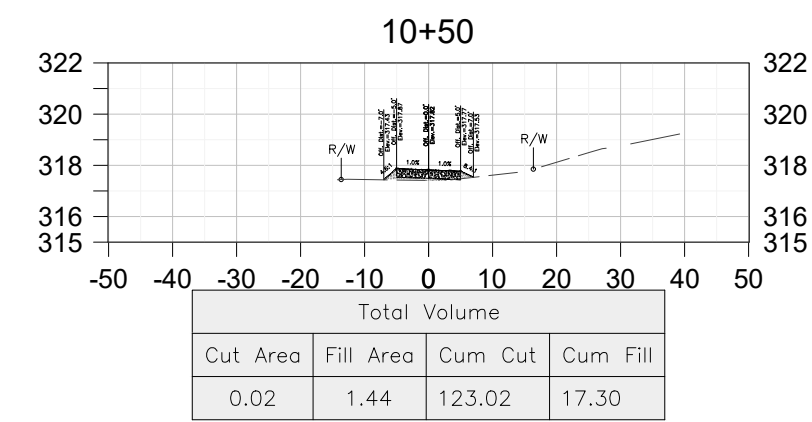
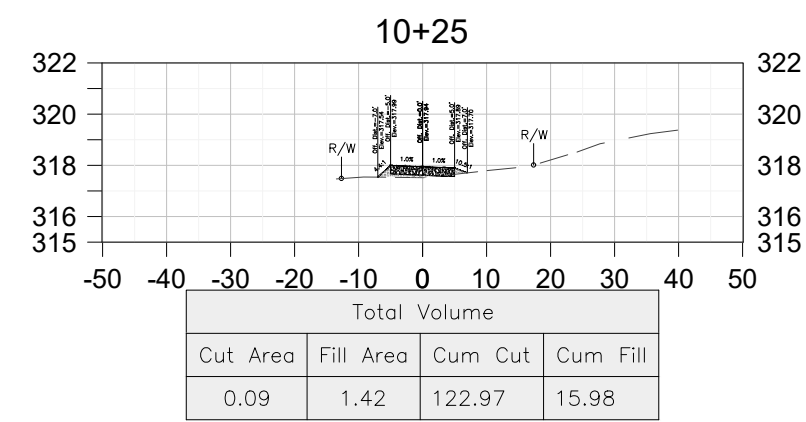
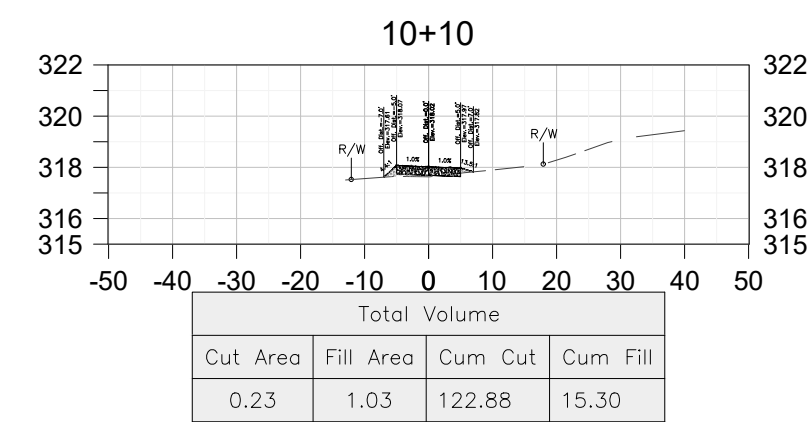
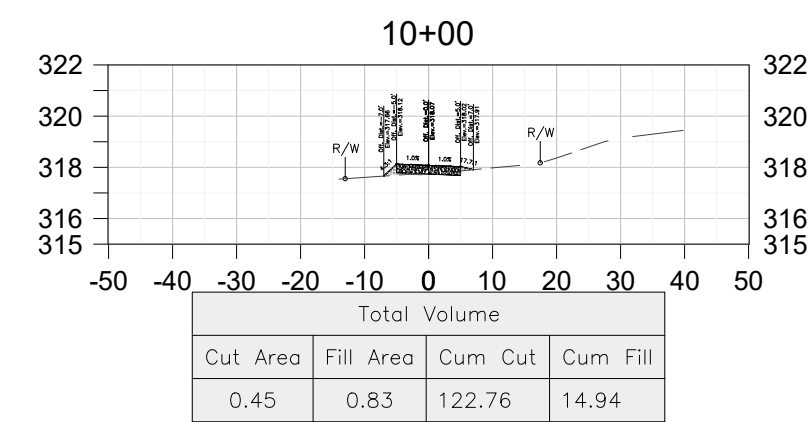
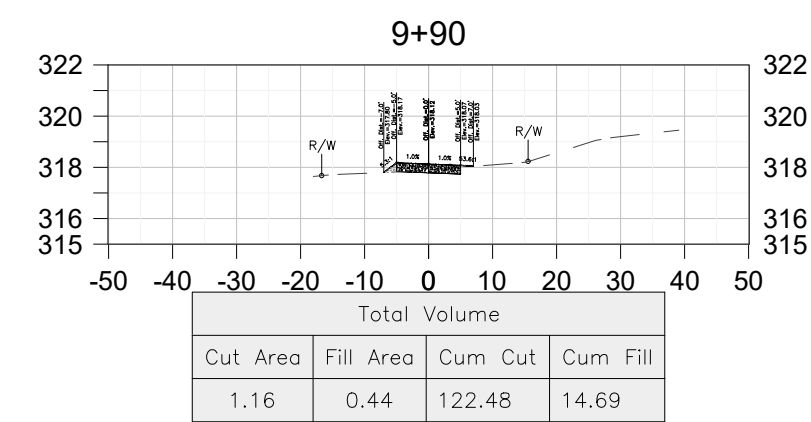
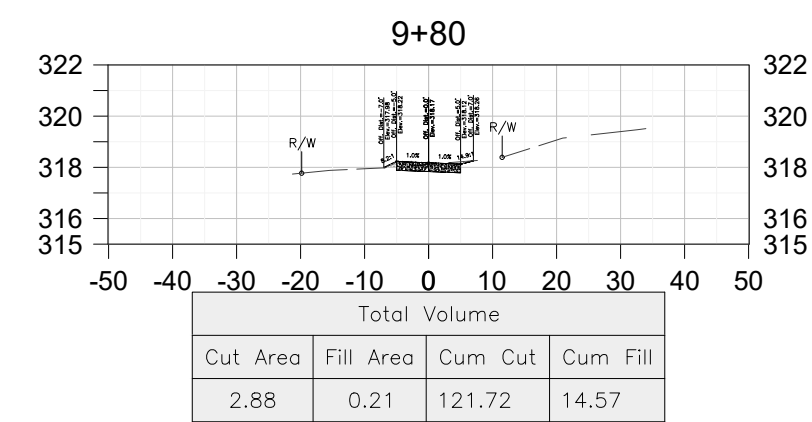
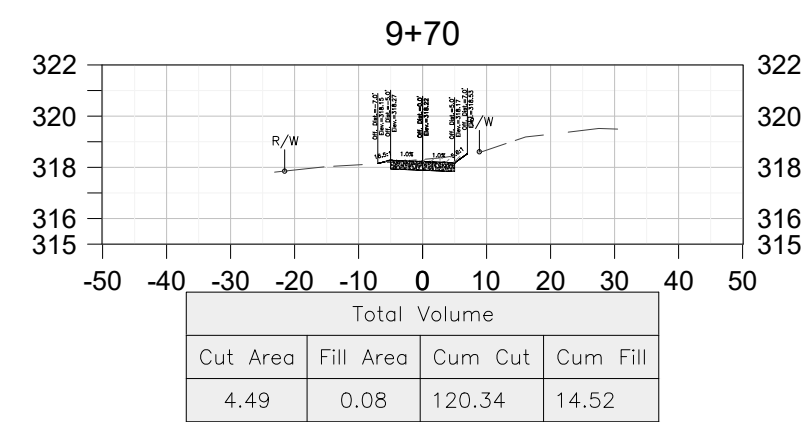




THESE CROSS SECTIONS ARE FOR THE CONTRACTOR'S INFORMATION ONLY. THEY ARE NOT TO BE CONSIDERED TO BE PART OF THE CONTRACT DOCUMENTS AND SHALL HAVE NO BEARING WHATSOEVER ON THE INTERPRETATION OF THE STANDARD SPECIFICATIONS, THE STANDARD PLANS, THE SPECIAL PROVISIONS, NOR SHALL THEY HAVE ANY BEARING WHATSOEVER ON THE INTERPRETATION OF THE OTHER PUBLICATIONS REFERENCED THEREIN.

DESIGNED: D.K.	DATE: ----	RECORD DRAWING		SCALE		PROJECT		DEPARTMENT OF PUBLIC WORKS AND PLANNING	
DRAWN: J.D.	DATE: ----	RESIDENT ENGINEER	DATE	0 30' 60'		FANCHER CREEK TRAIL PROJECT		SECTION VIEW (2)	
CHECKED: D.S.	07/06/2020					IMPROVEMENTS		-	
FOR RIGHT OF WAY DATA AND ACCURATE ACCESS DETERMINATION, SEE DOCUMENTS IN THE DEPARTMENT OF PUBLIC WORKS AND PLANNING.				SUPERVISING ENGINEER		ROAD NO. N/A		DRAWING NO. 11292	
				DATE		BRIDGE NO. N/A		SHEET NO. 2	
								TOTAL 16	

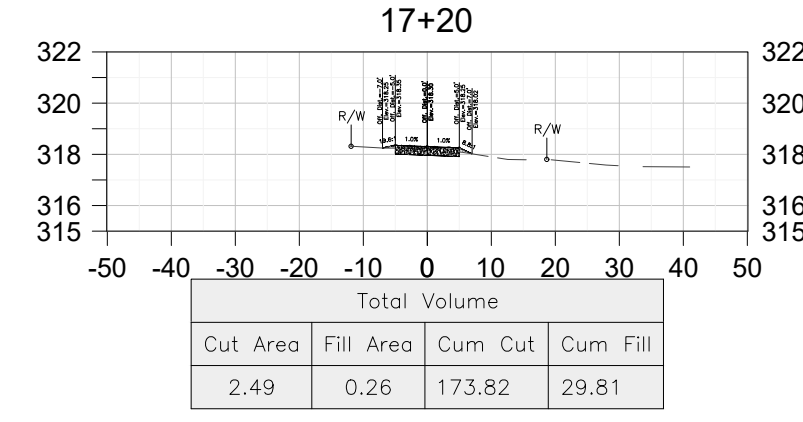
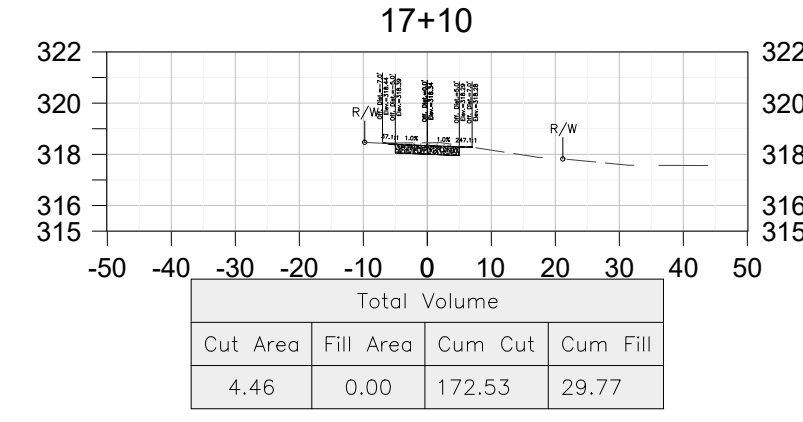
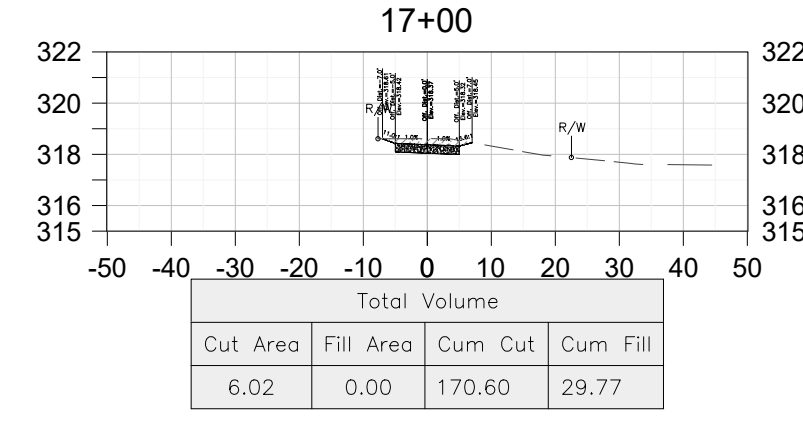
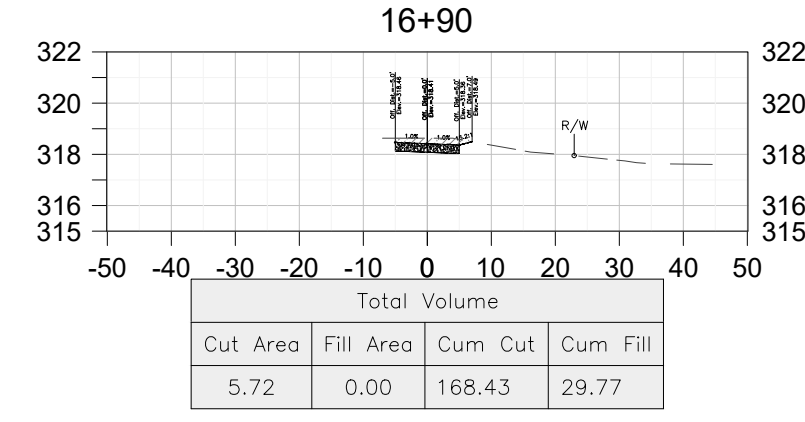
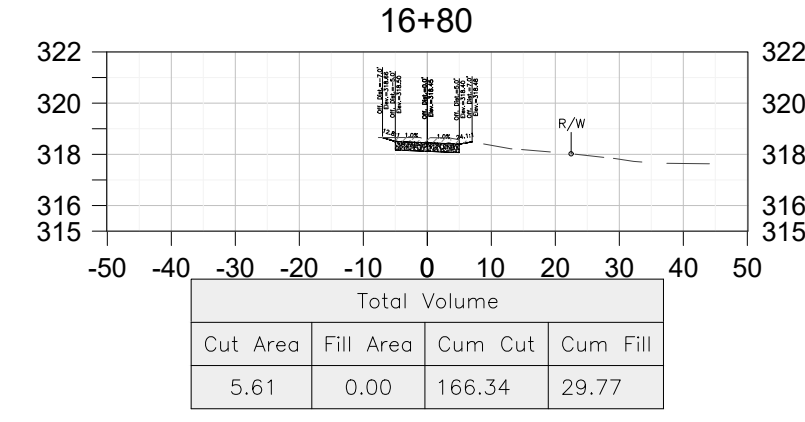
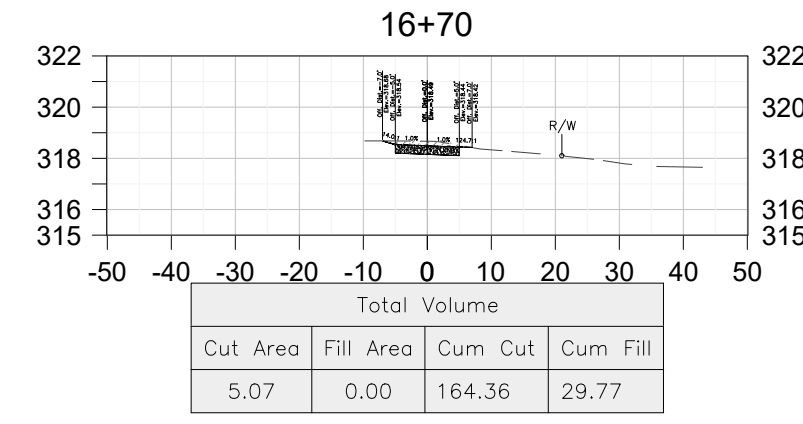
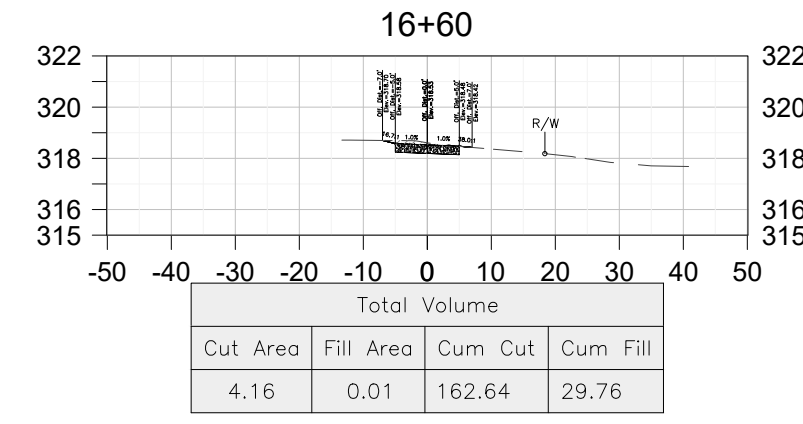
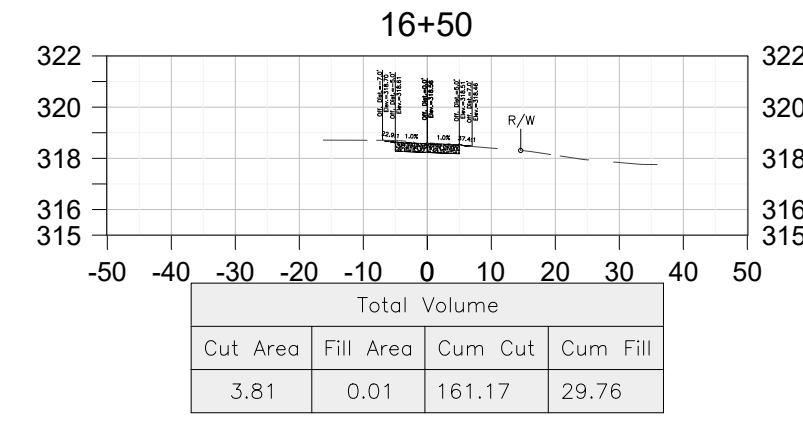
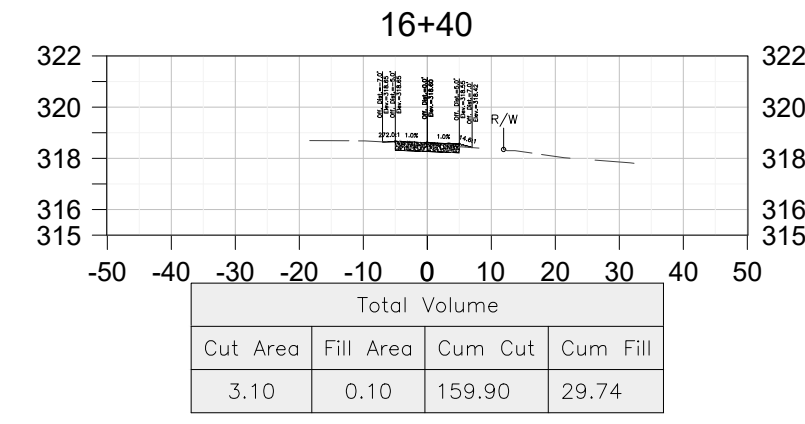
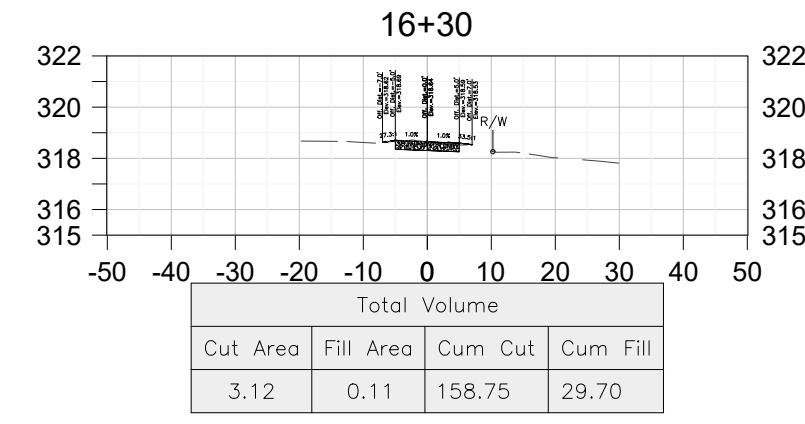
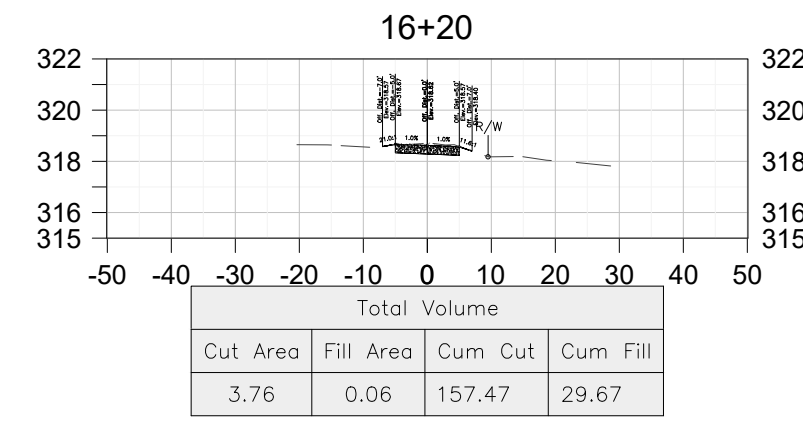
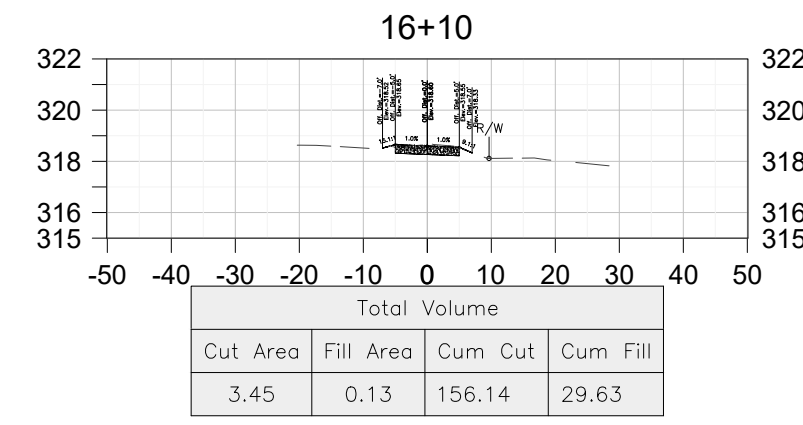
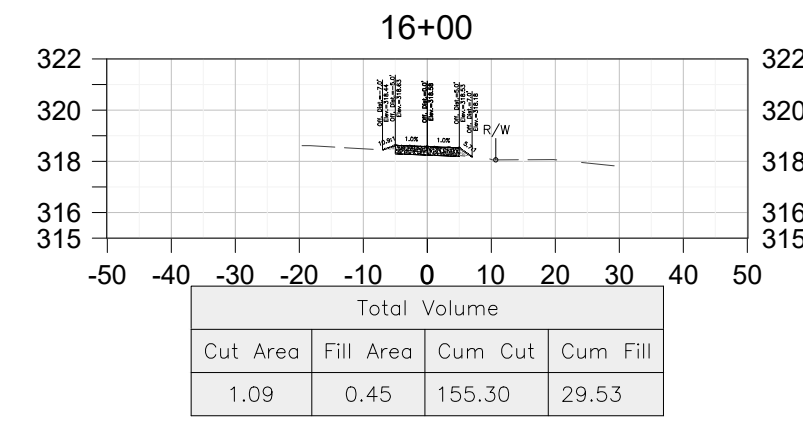
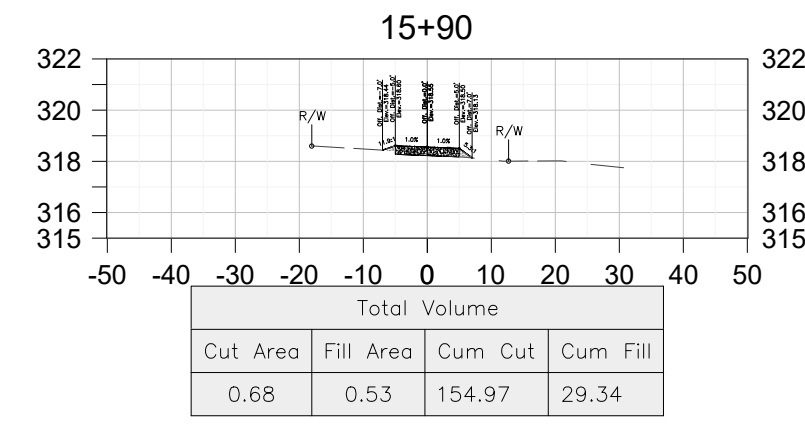
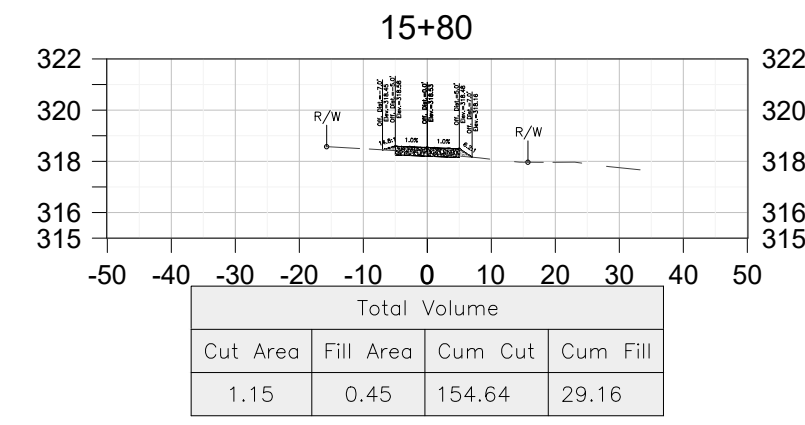
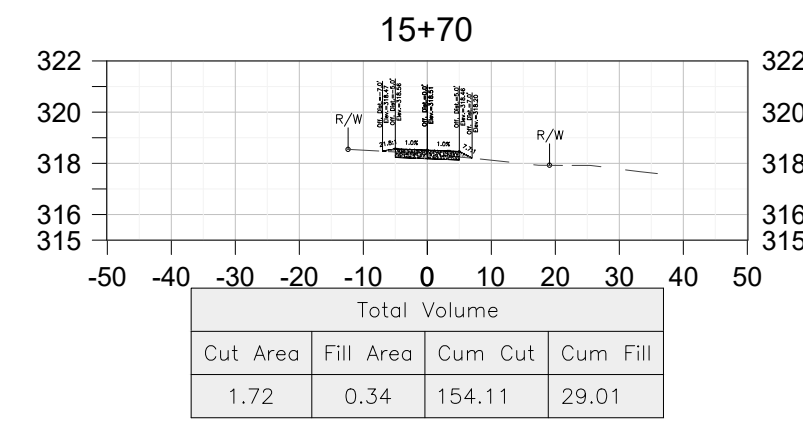
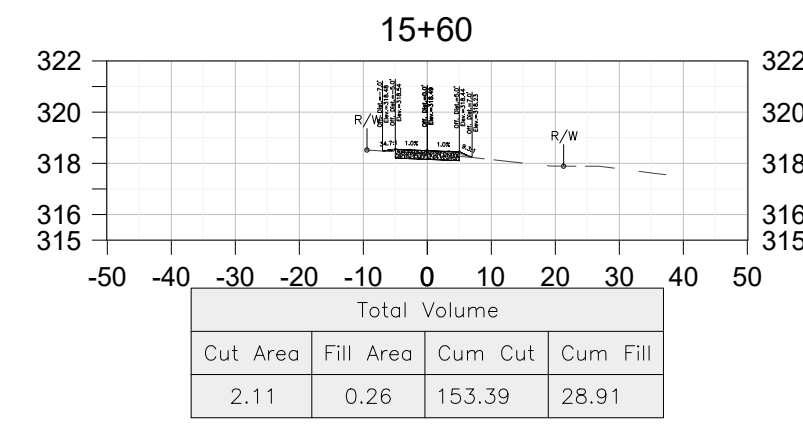
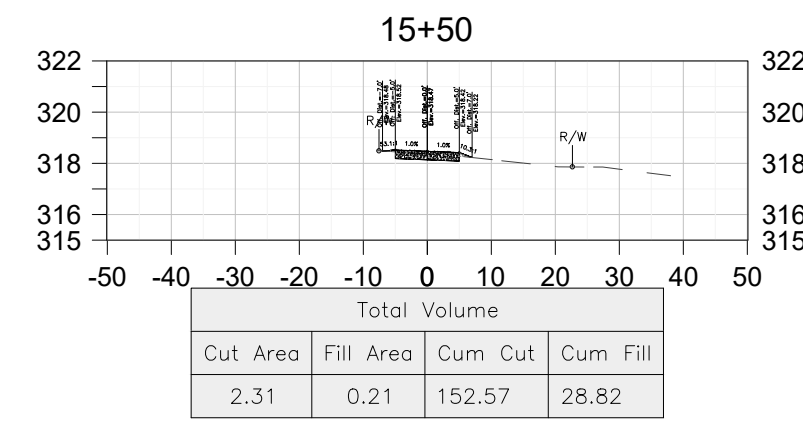
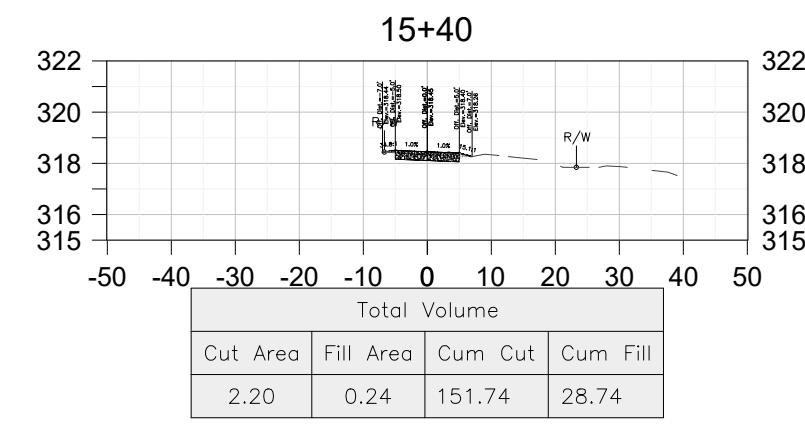
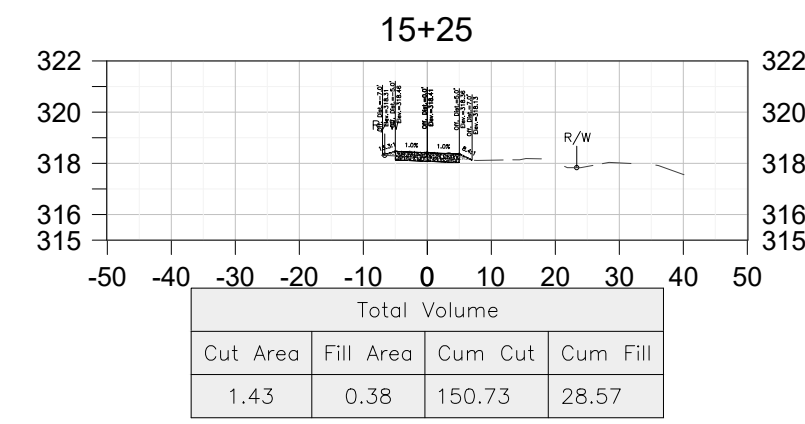
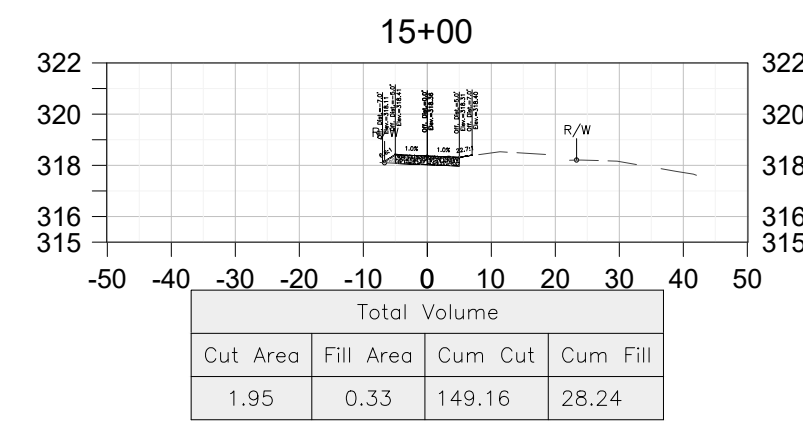
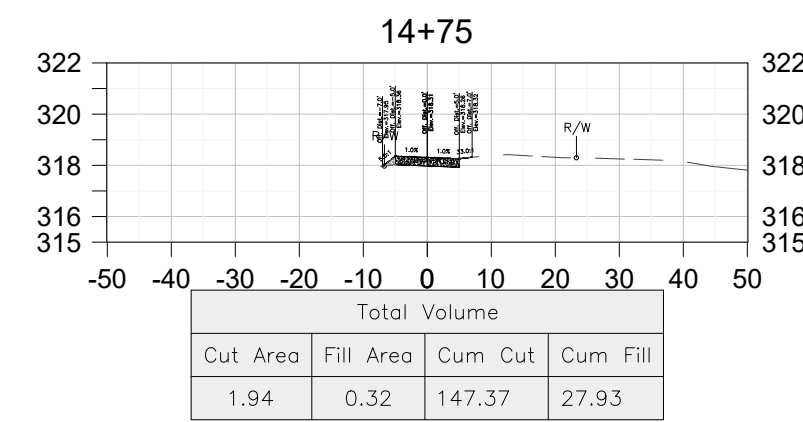
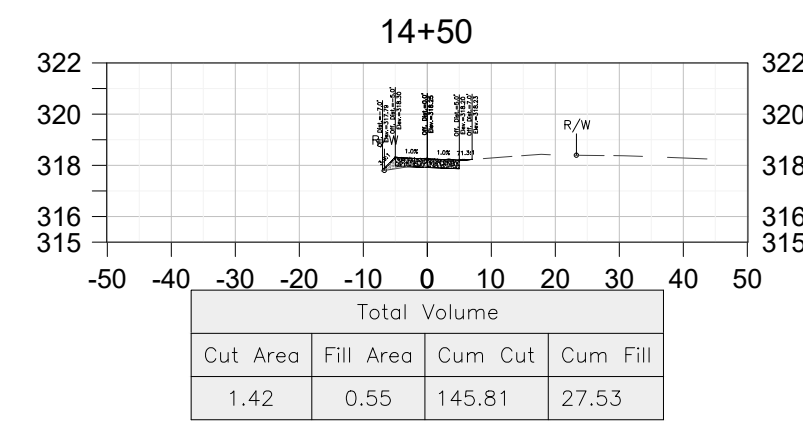
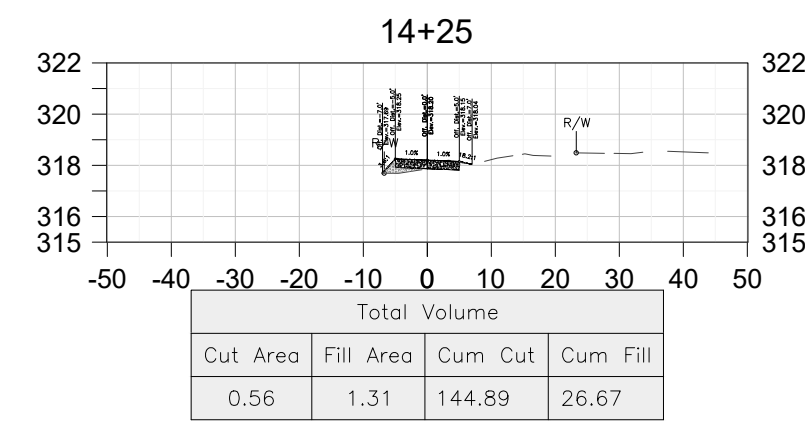
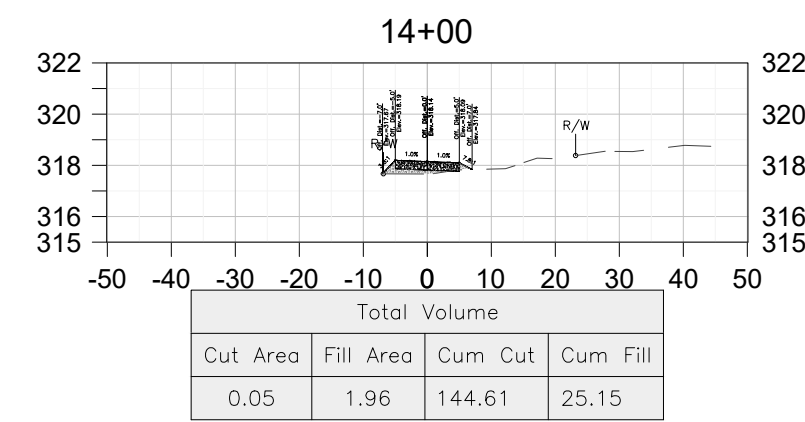
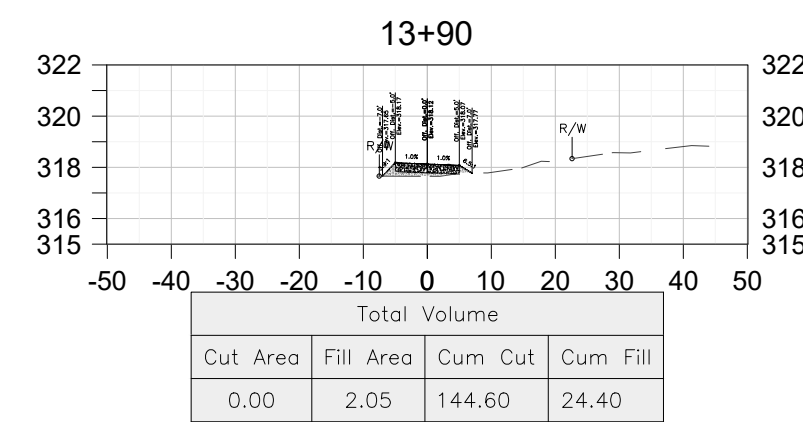
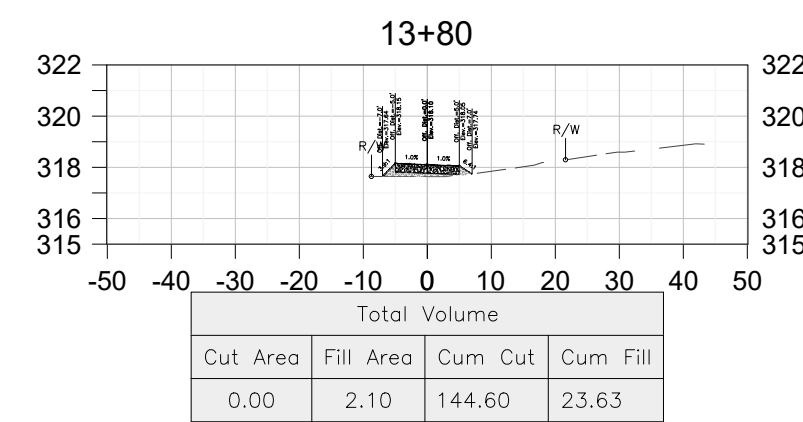
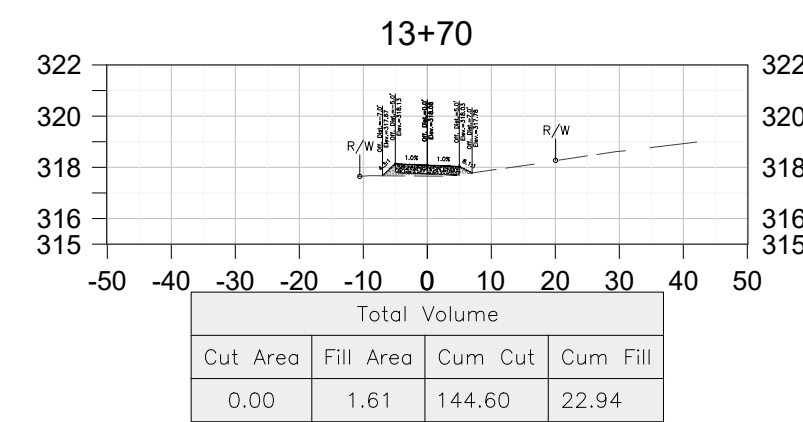
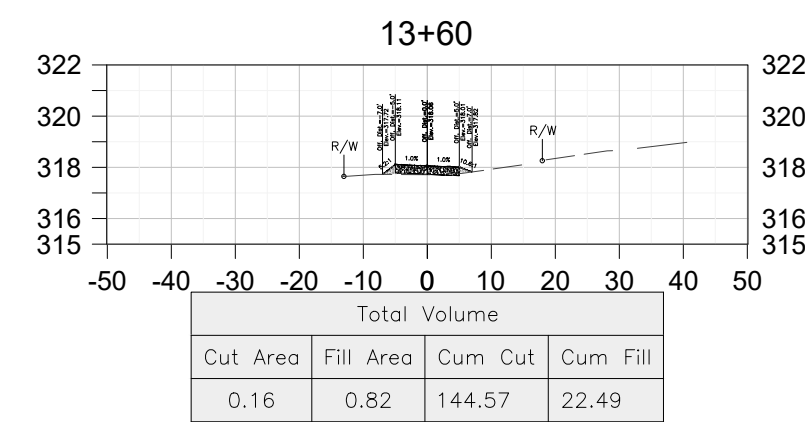
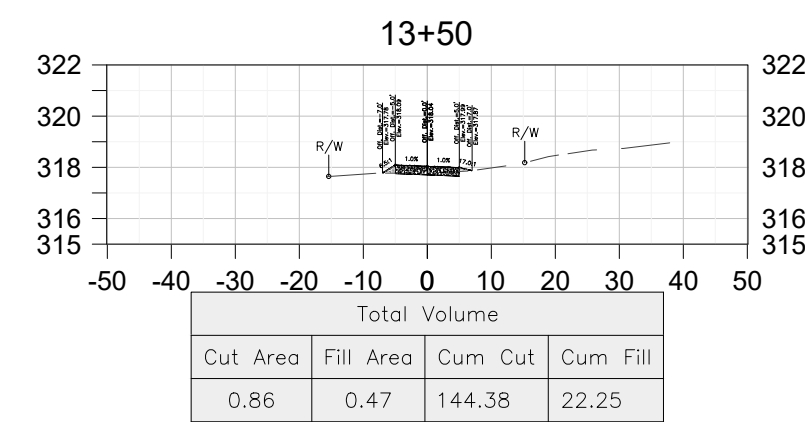




THESE CROSS SECTIONS ARE FOR THE CONTRACTOR'S INFORMATION ONLY. THEY ARE NOT TO BE CONSIDERED TO BE PART OF THE CONTRACT DOCUMENTS AND SHALL HAVE NO BEARING WHATSOEVER ON THE INTERPRETATION OF THE STANDARD SPECIFICATIONS, THE STANDARD PLANS, THE SPECIAL PROVISIONS, NOR SHALL THEY HAVE ANY BEARING WHATSOEVER ON THE INTERPRETATION OF THE OTHER PUBLICATIONS REFERENCED THEREIN.

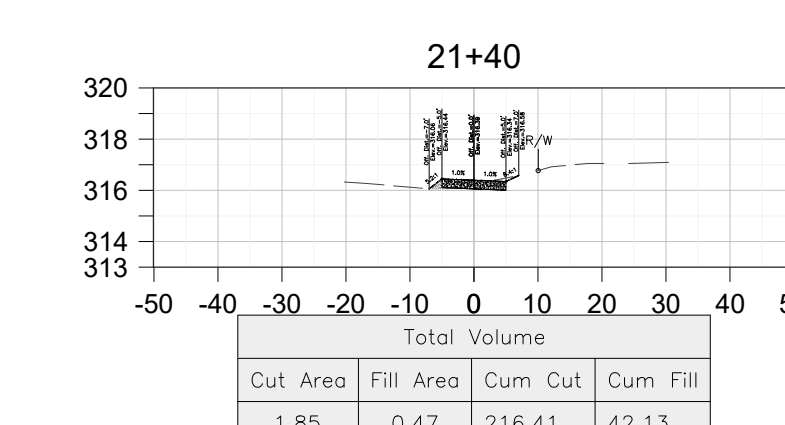
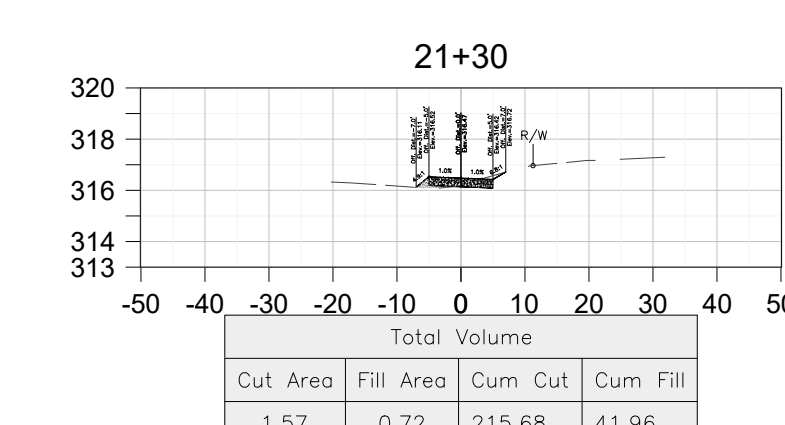
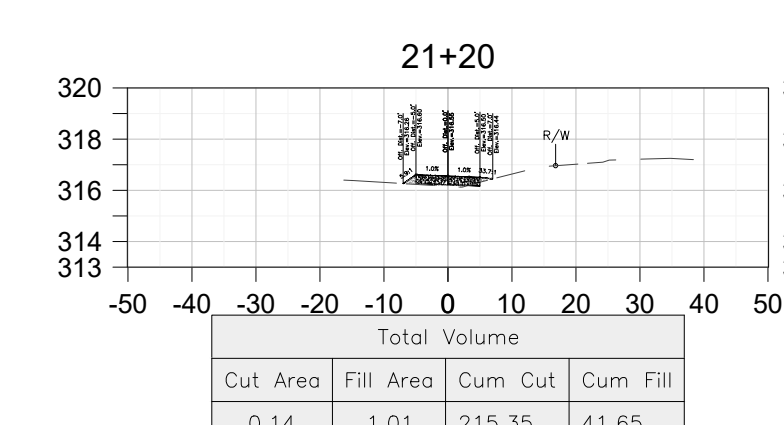
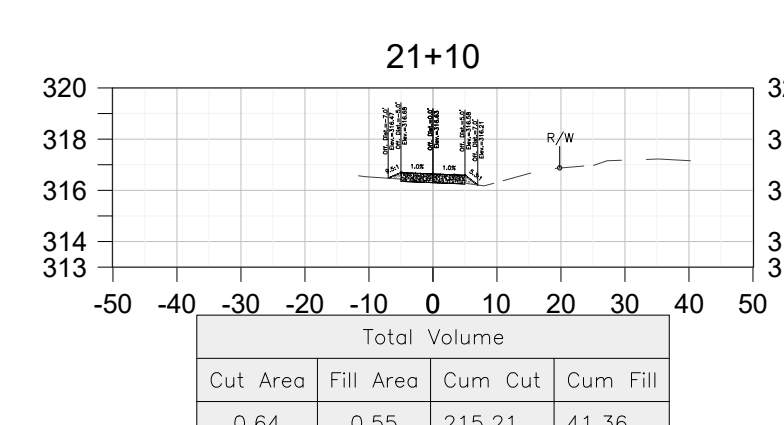
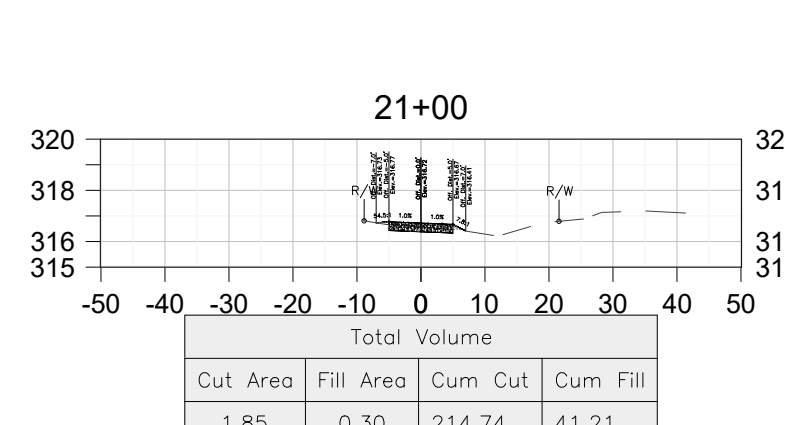
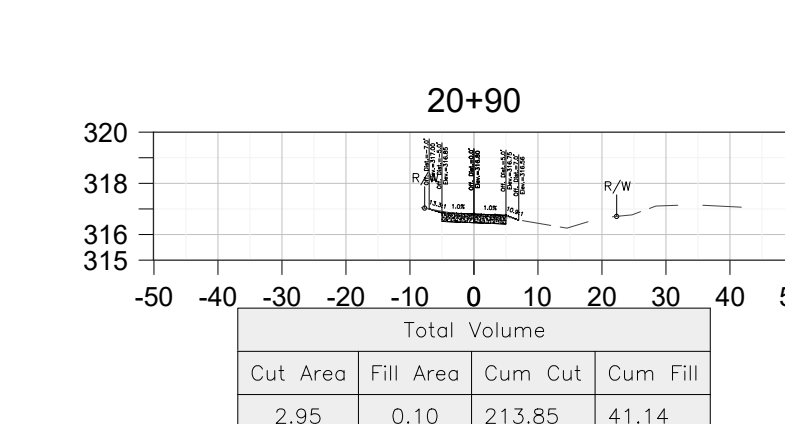
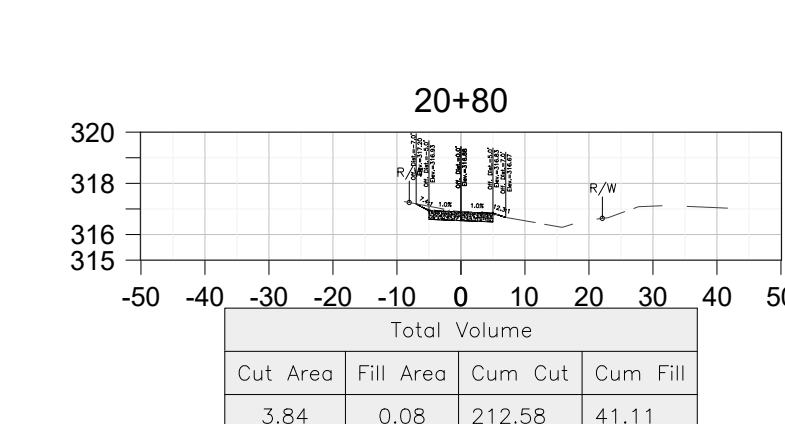
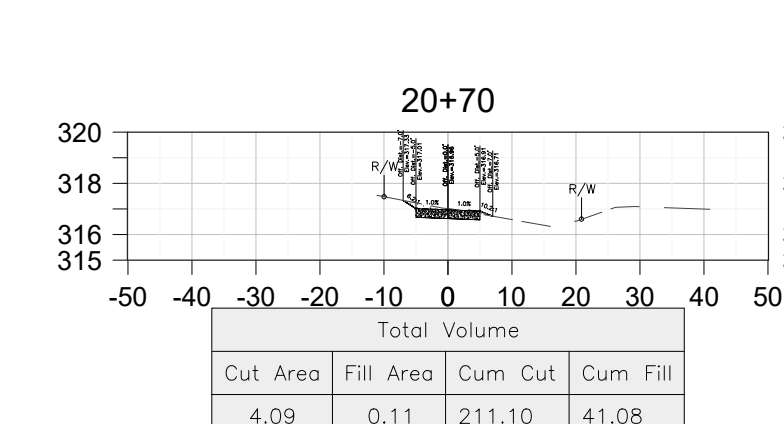
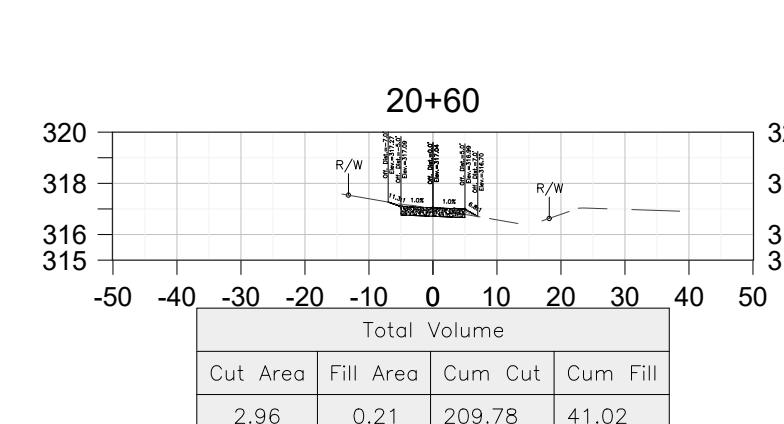
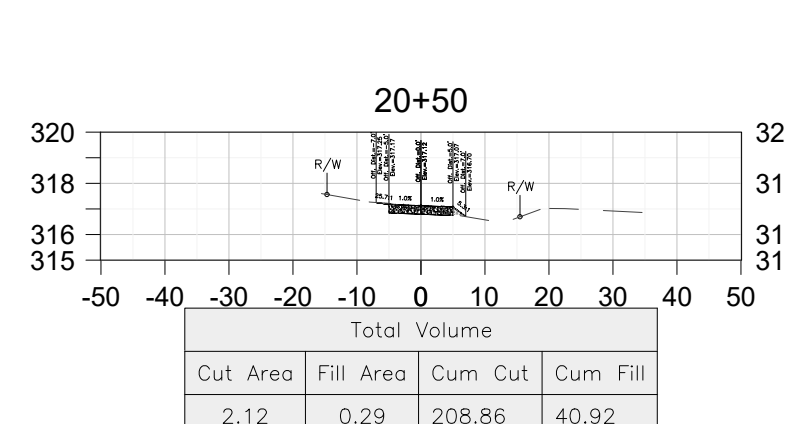
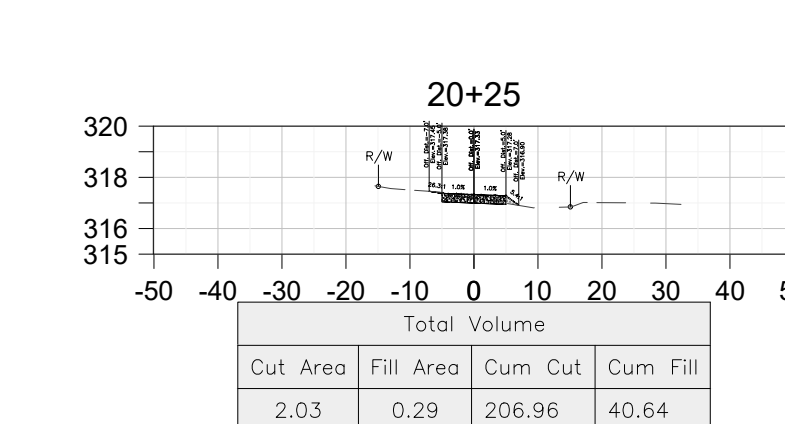
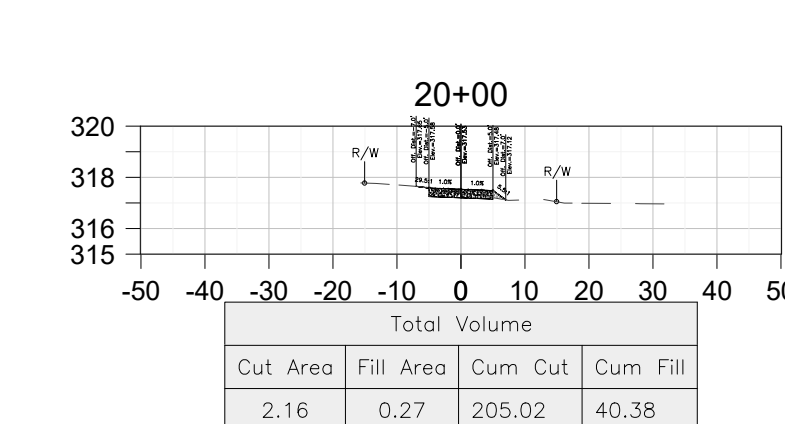
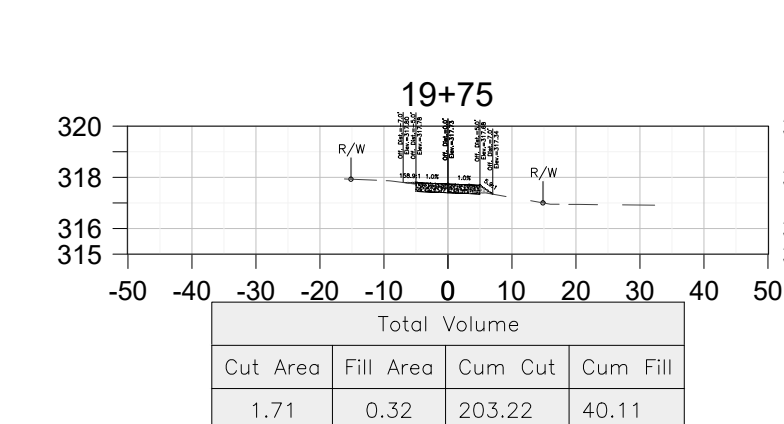
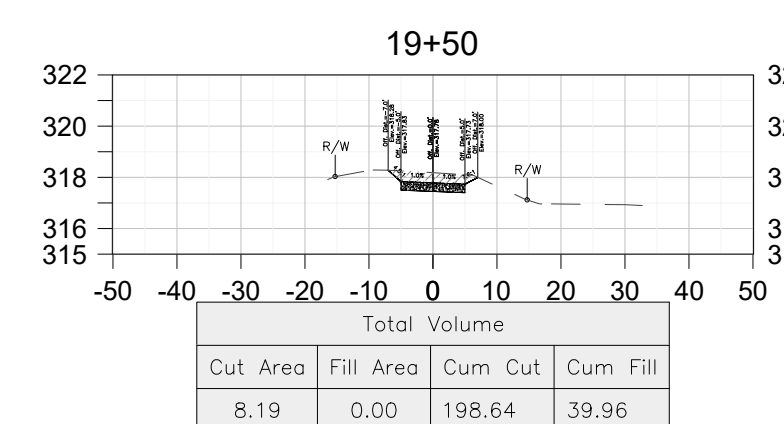
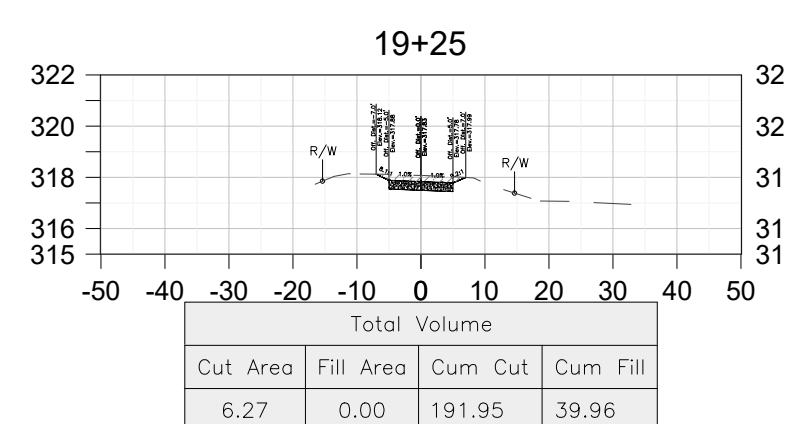
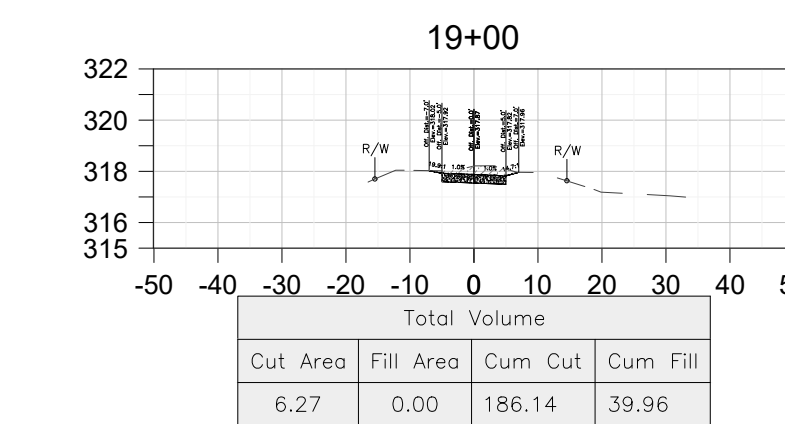
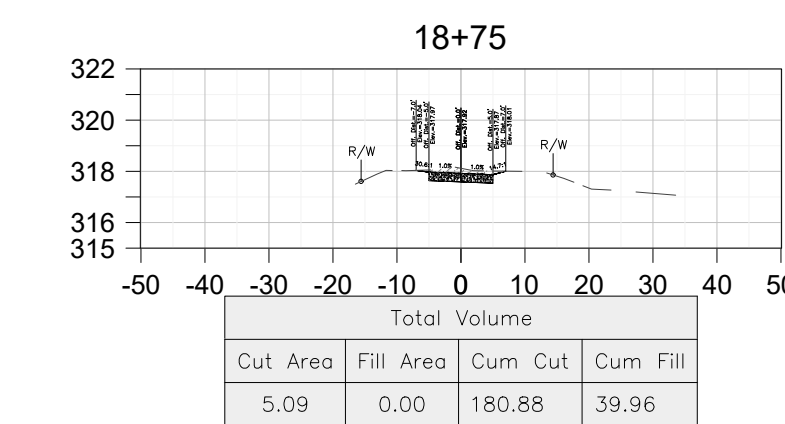
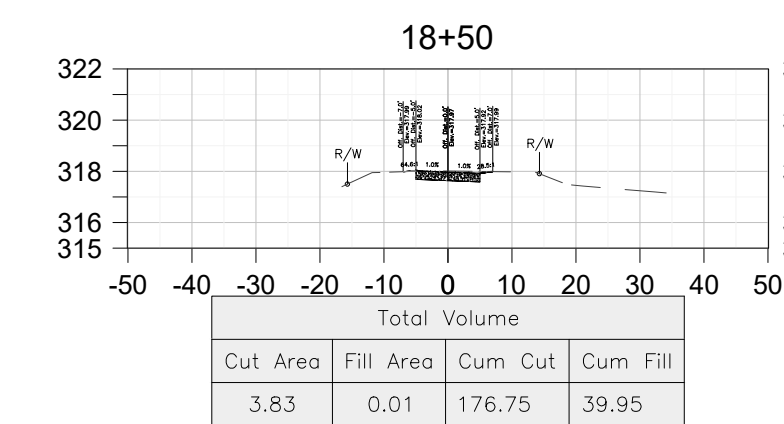
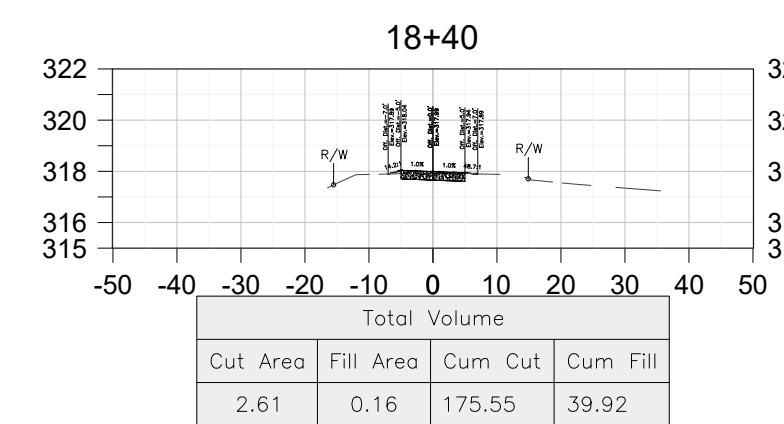
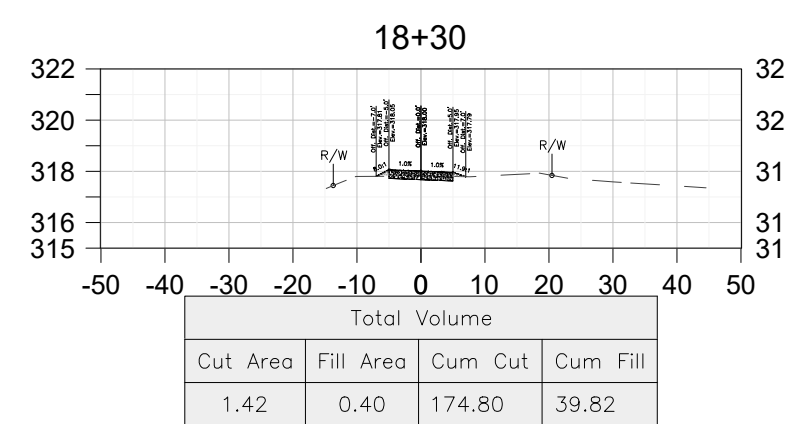
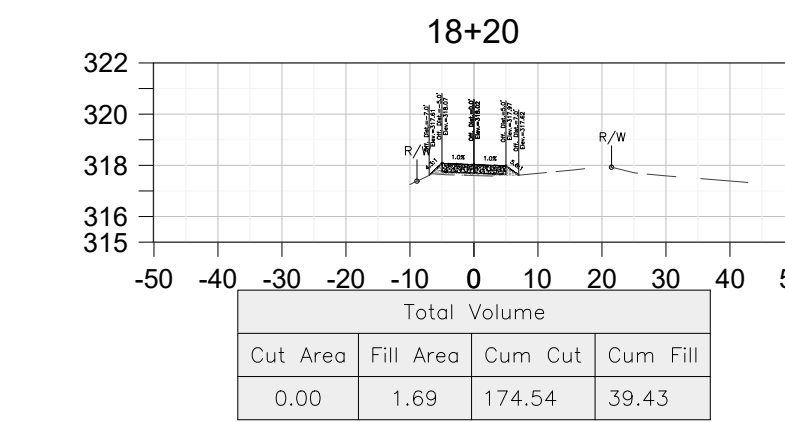
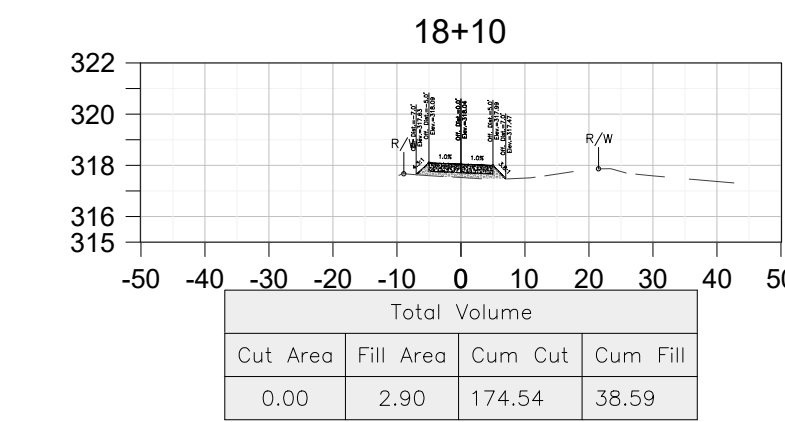
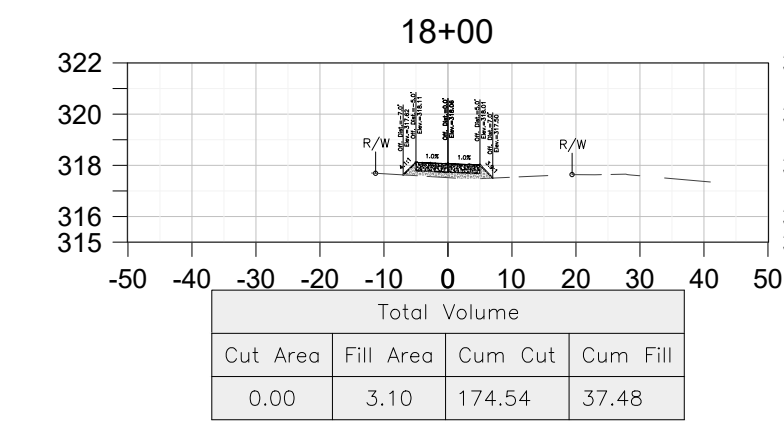
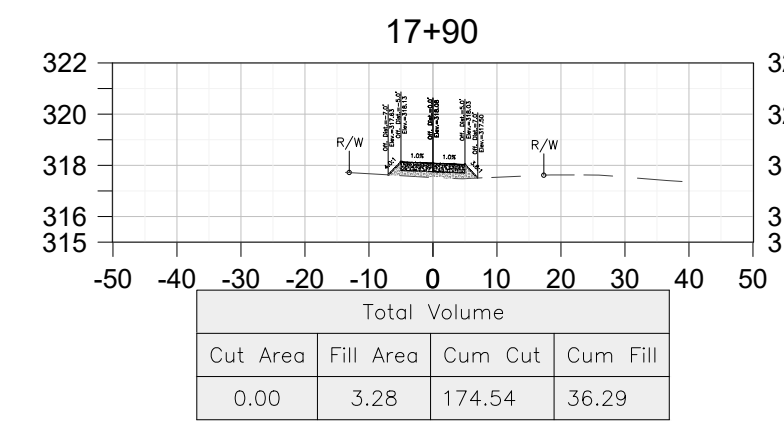
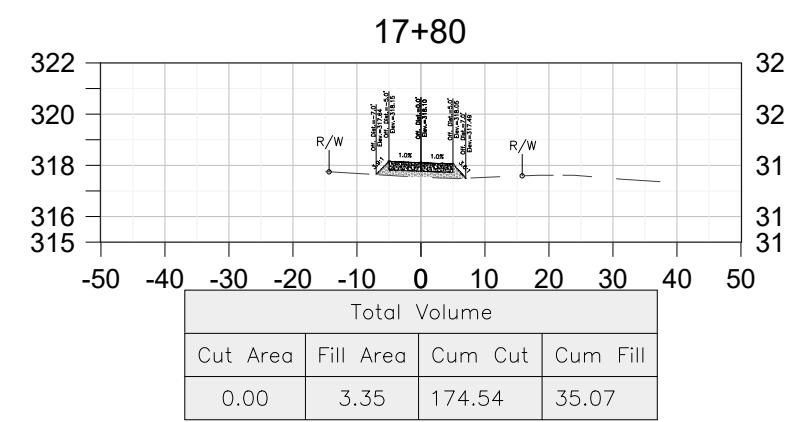
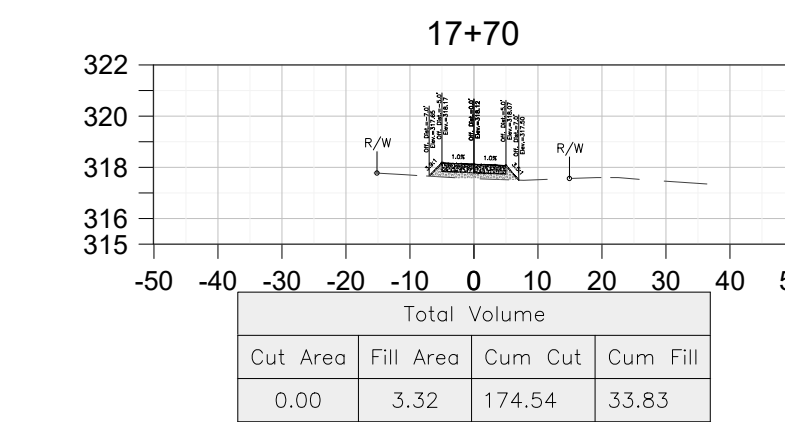
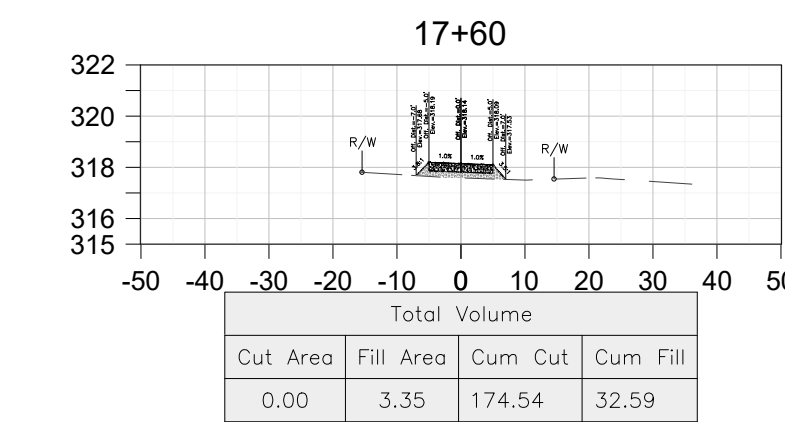
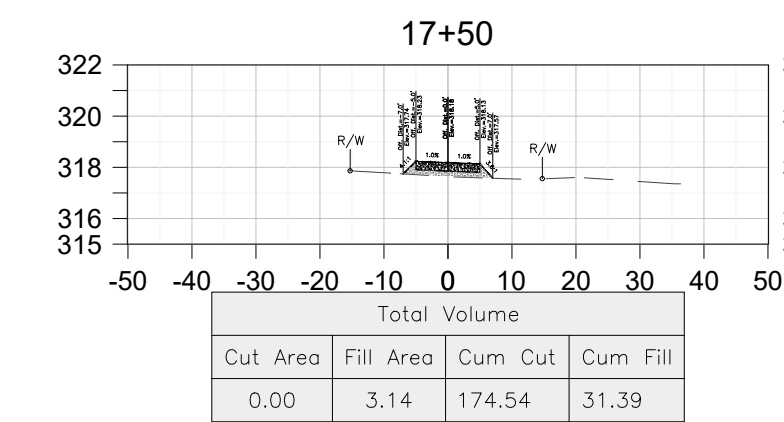
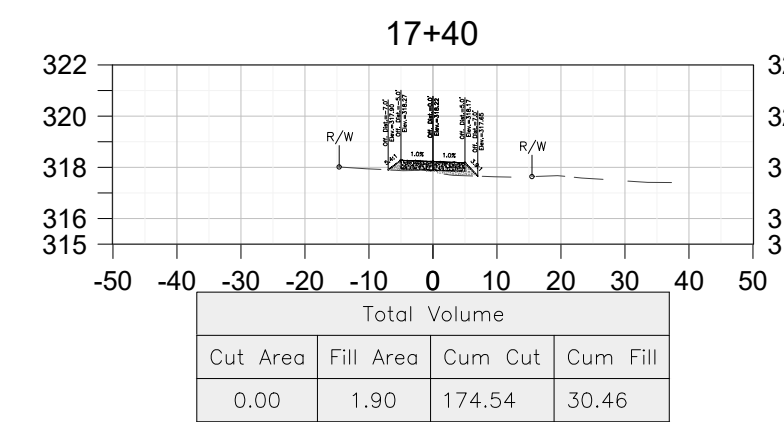
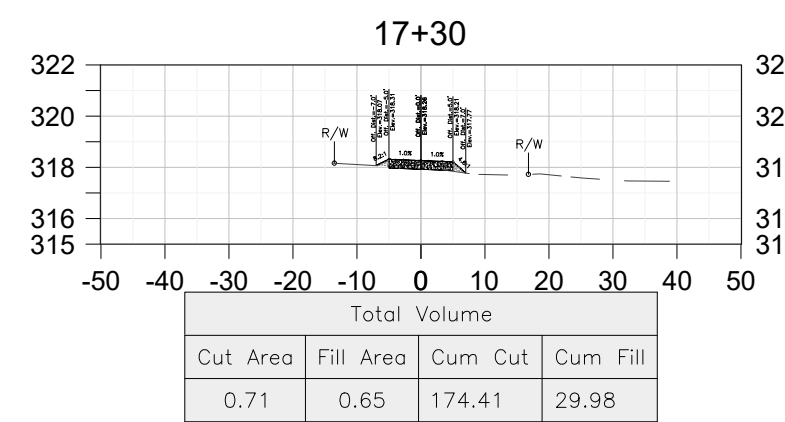
DESIGNED: D.K.	DATE: ----	RECORD DRAWING		SCALE		PROJECT		DEPARTMENT OF PUBLIC WORKS AND PLANNING	
DRAWN: J.D.	DATE: ----	RESIDENT ENGINEER		0 30' 60'		FANCHER CREEK TRAIL PROJECT		SECTION VIEW (3)	
CHECKED: D.S.	07/06/2020			SUPERVISING ENGINEER		IMPROVEMENTS			
FOR RIGHT OF WAY DATA AND ACCURATE ACCESS DETERMINATION, SEE DOCUMENTS IN THE DEPARTMENT OF PUBLIC WORKS AND PLANNING.				DATE		ROAD NO. N/A		BRIDGE NO. N/A	
								DRAWING NO. 11292 SHEET NO. 3 TOTAL 16	





THESE CROSS SECTIONS ARE FOR THE CONTRACTOR'S INFORMATION ONLY. THEY ARE NOT TO BE CONSIDERED TO BE PART OF THE CONTRACT DOCUMENTS AND SHALL HAVE NO BEARING WHATSOEVER ON THE INTERPRETATION OF THE STANDARD SPECIFICATIONS, THE STANDARD PLANS, THE SPECIAL PROVISIONS, NOR SHALL THEY HAVE ANY BEARING WHATSOEVER ON THE INTERPRETATION OF THE OTHER PUBLICATIONS REFERENCED THEREIN.

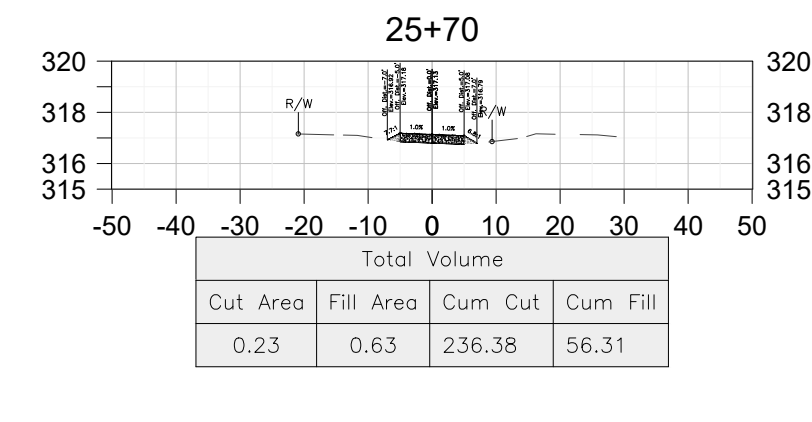
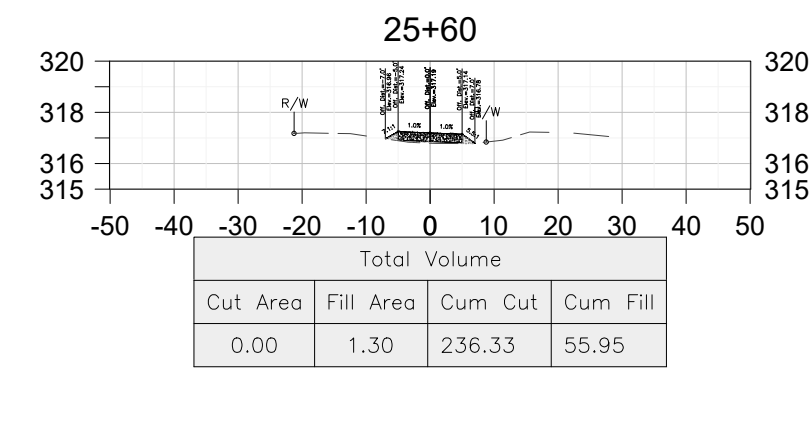
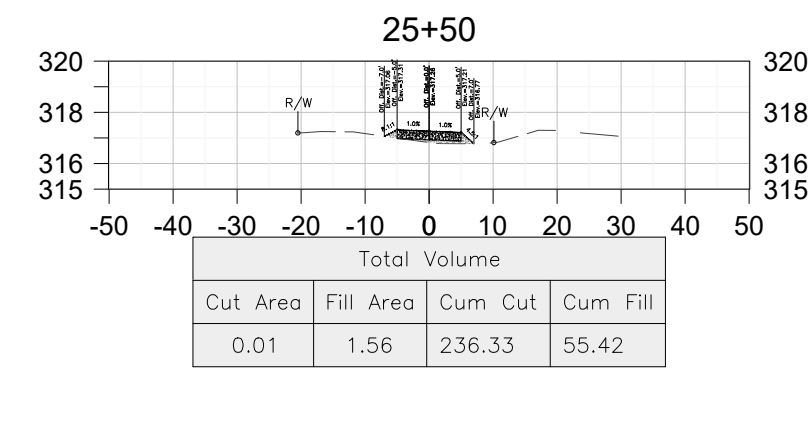
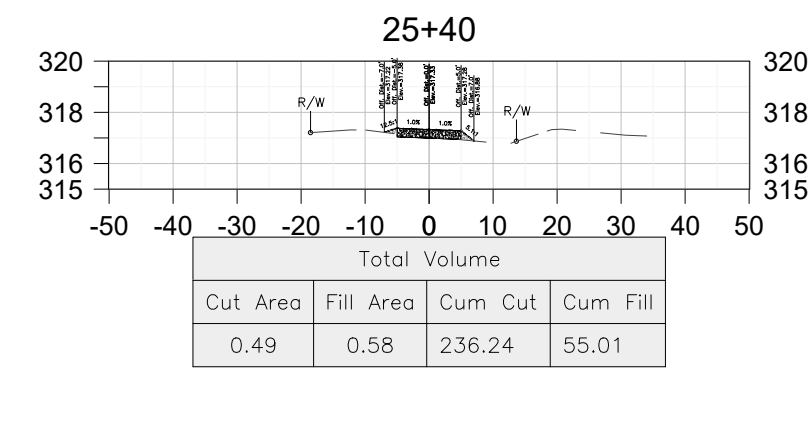
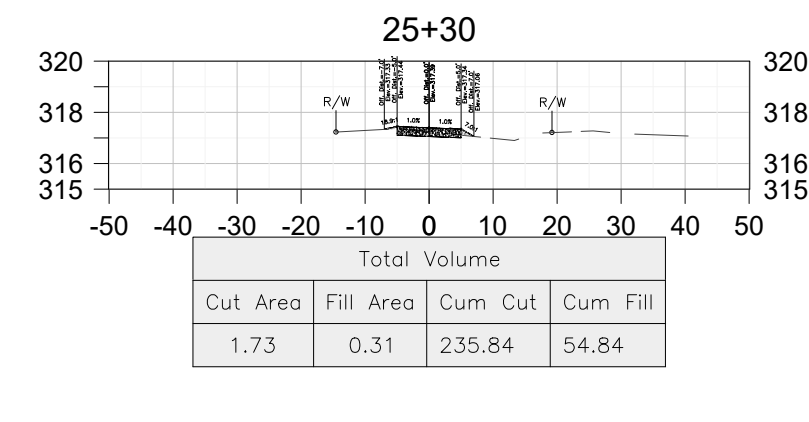
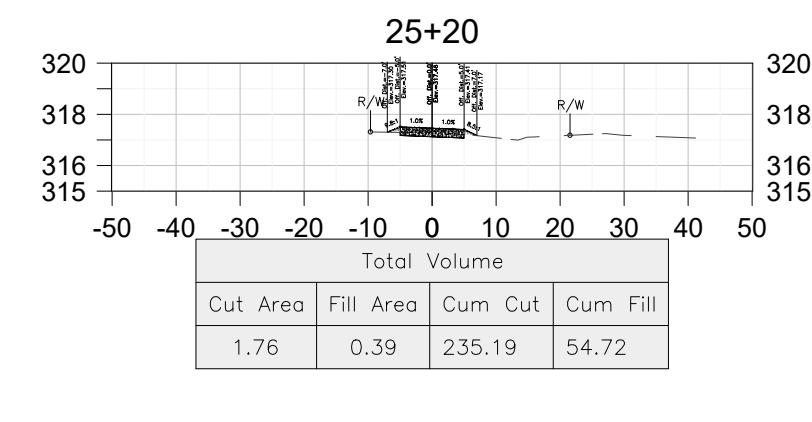
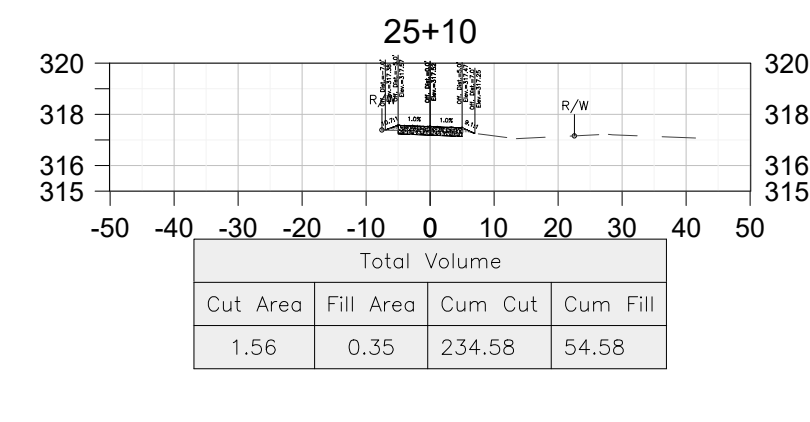
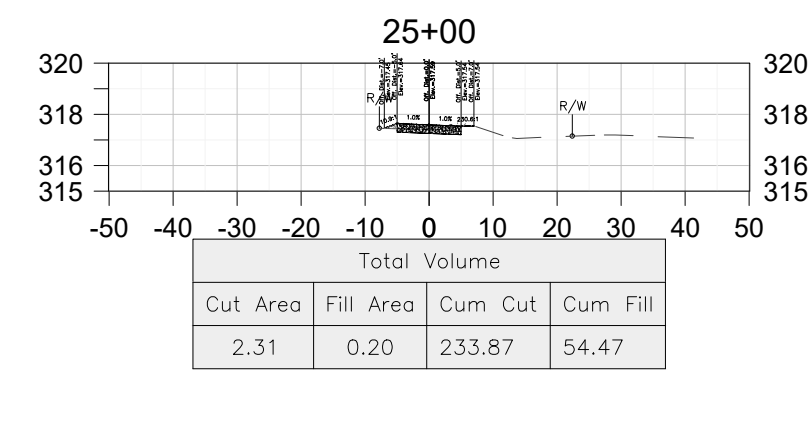
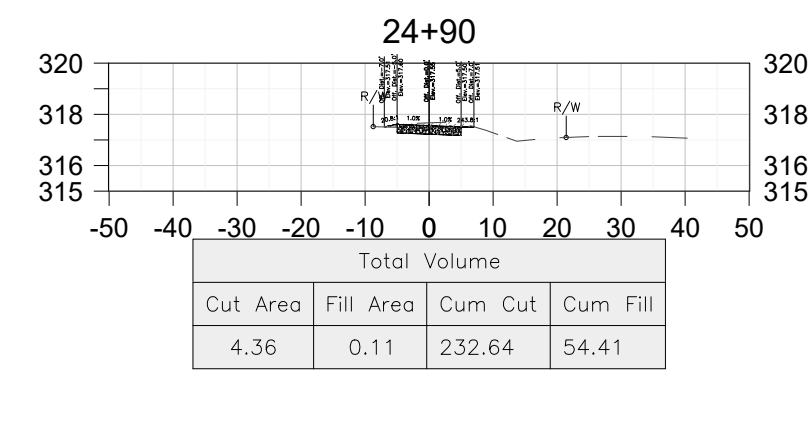
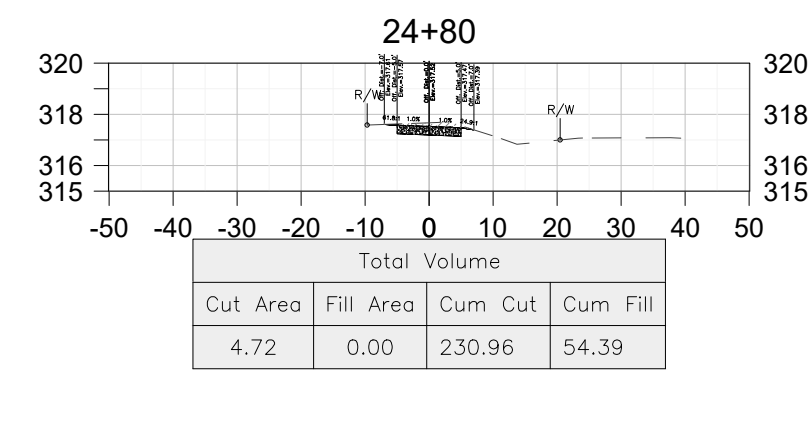
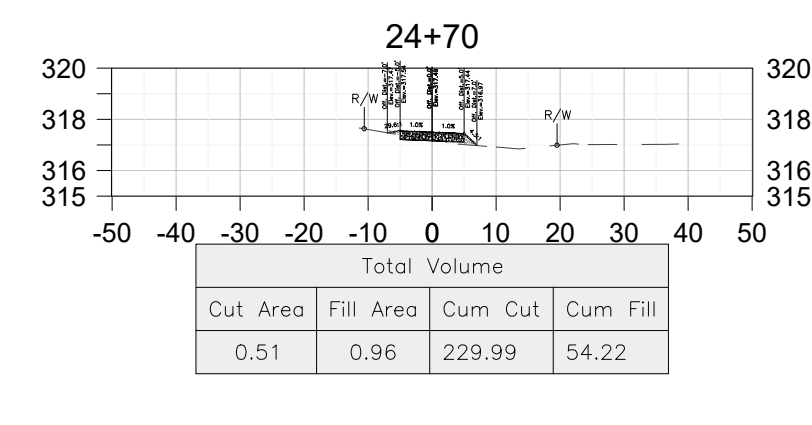
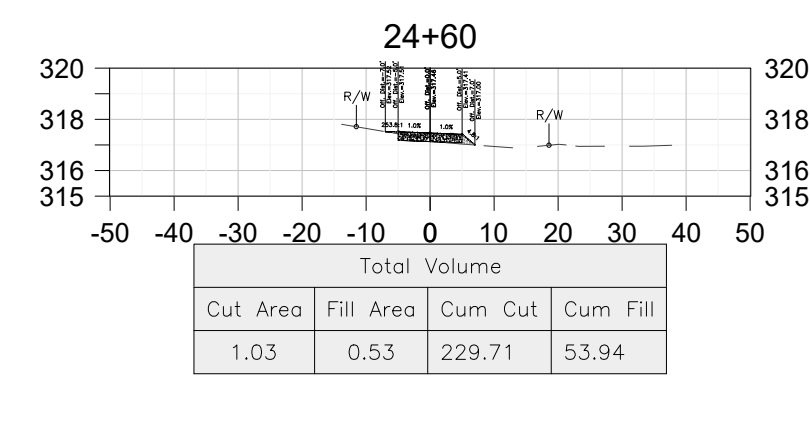
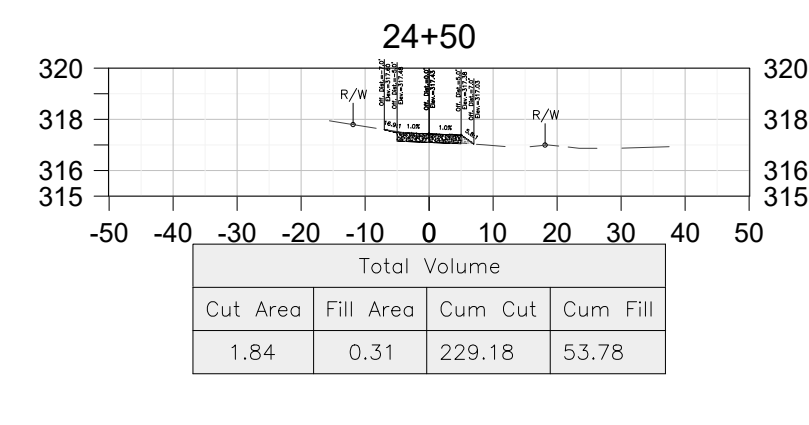
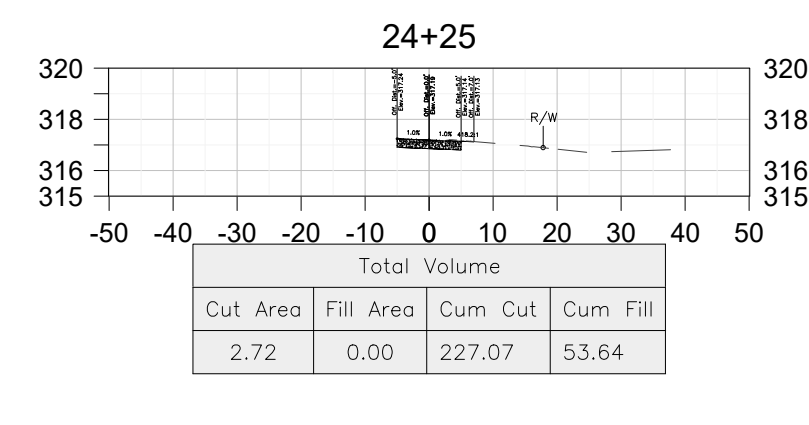
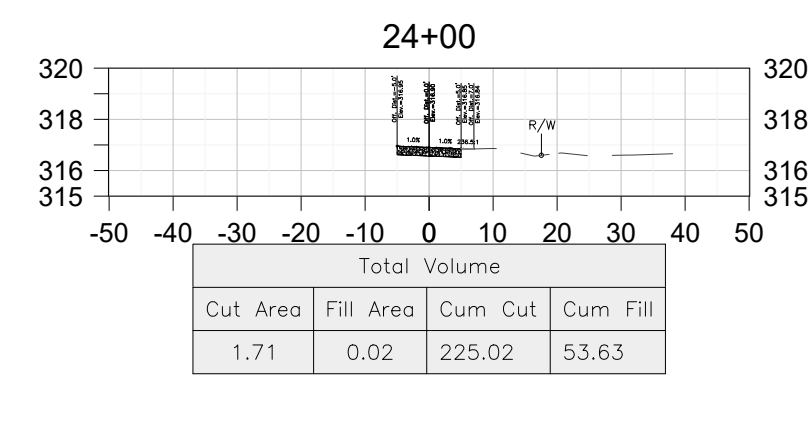
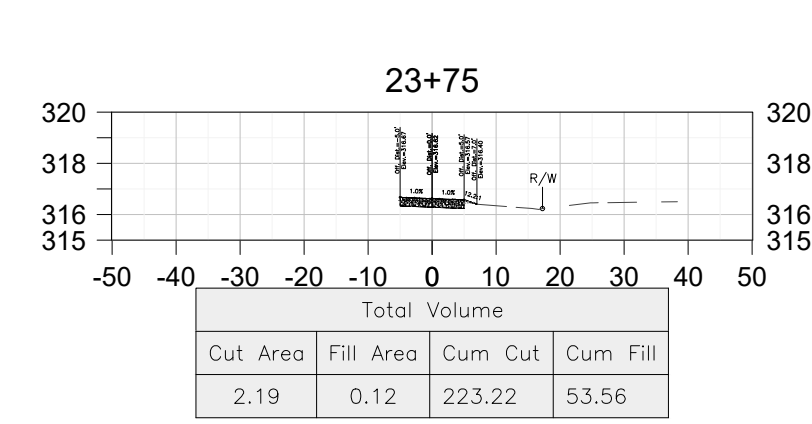
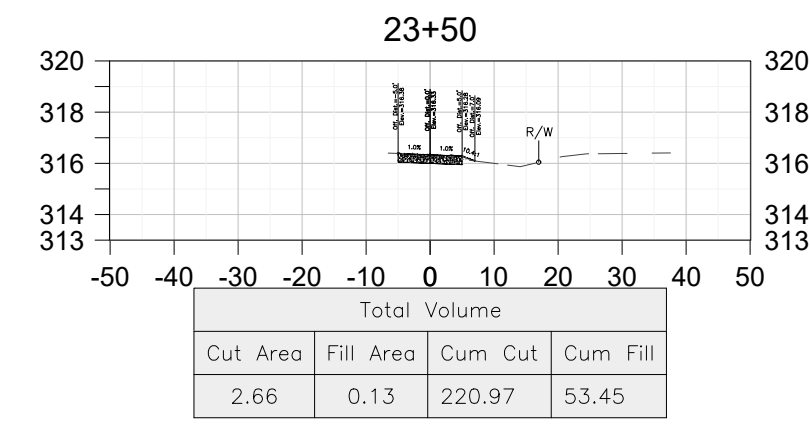
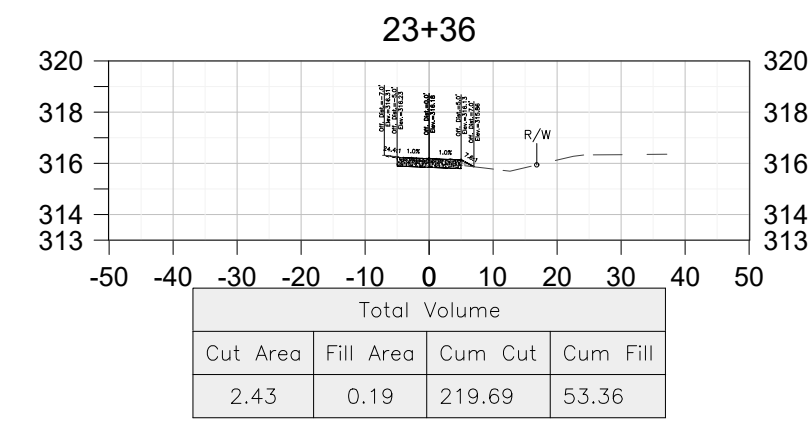
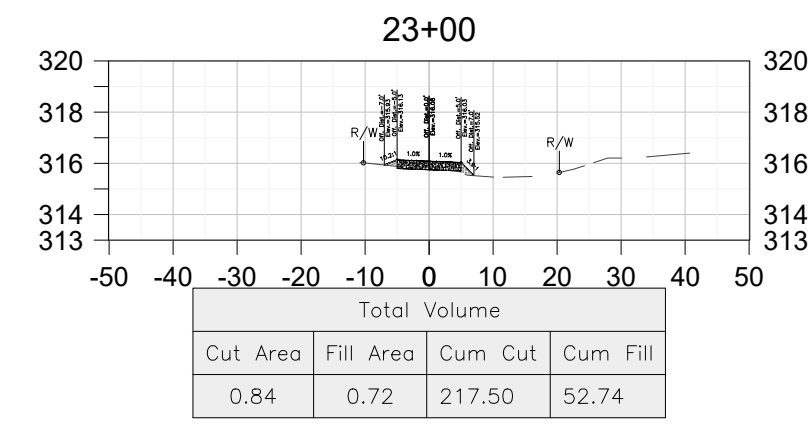
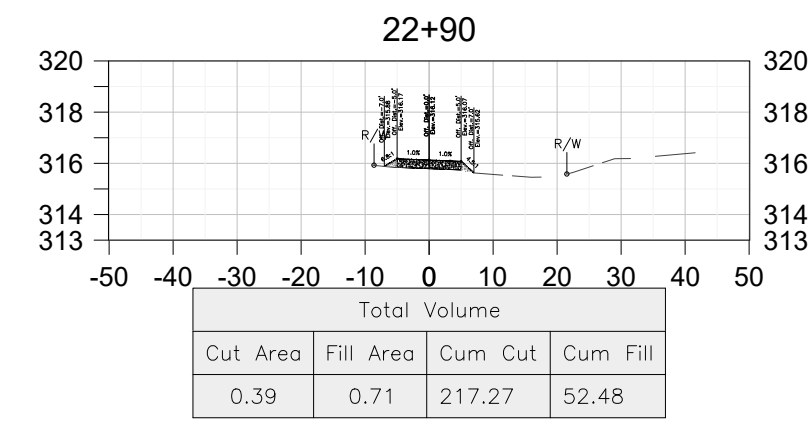
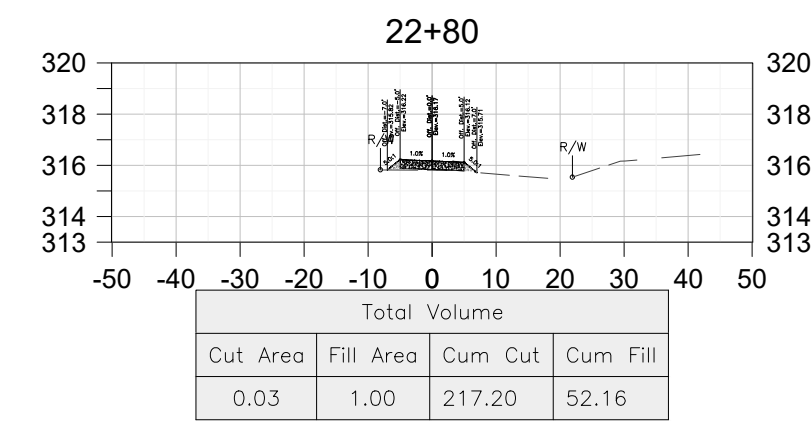
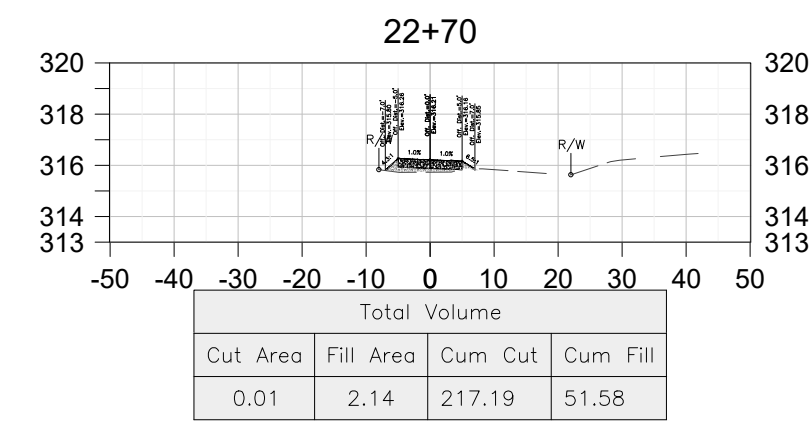
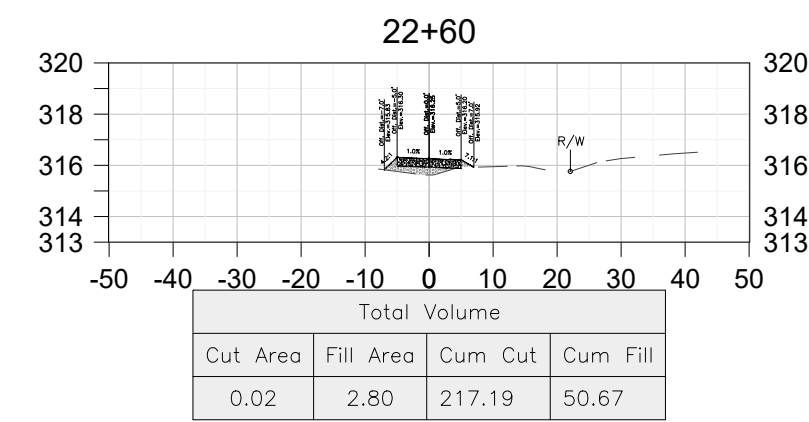
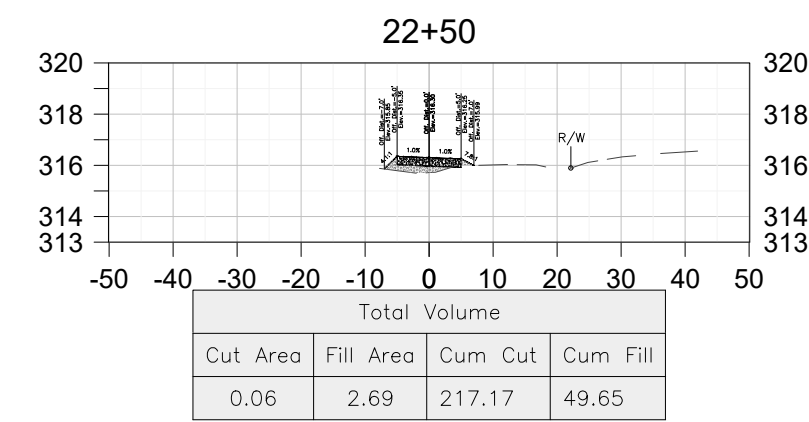
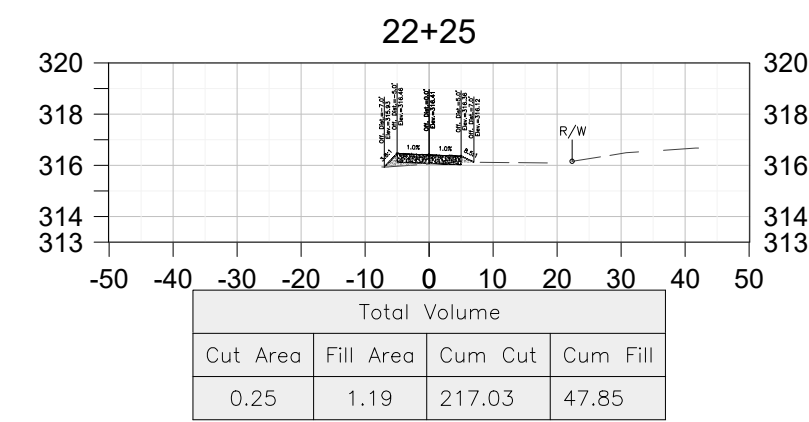
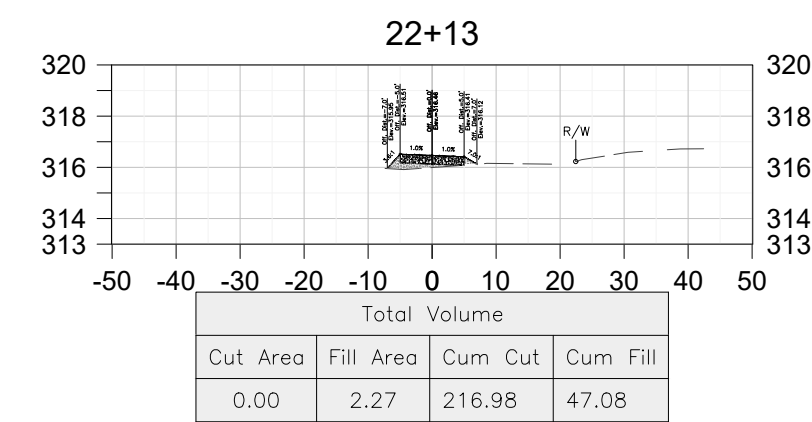
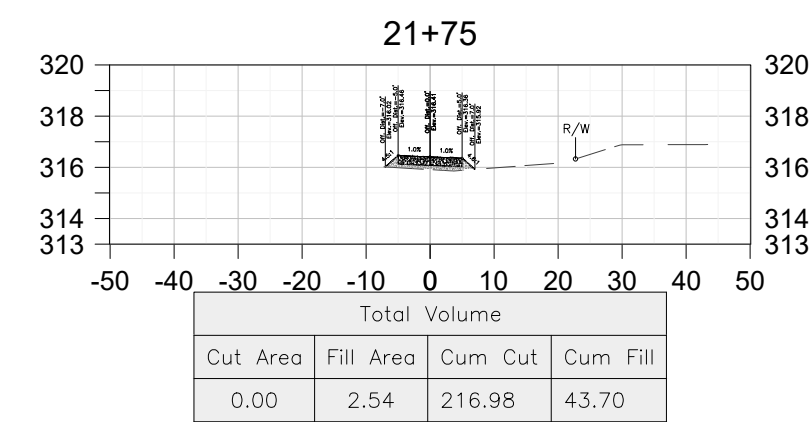
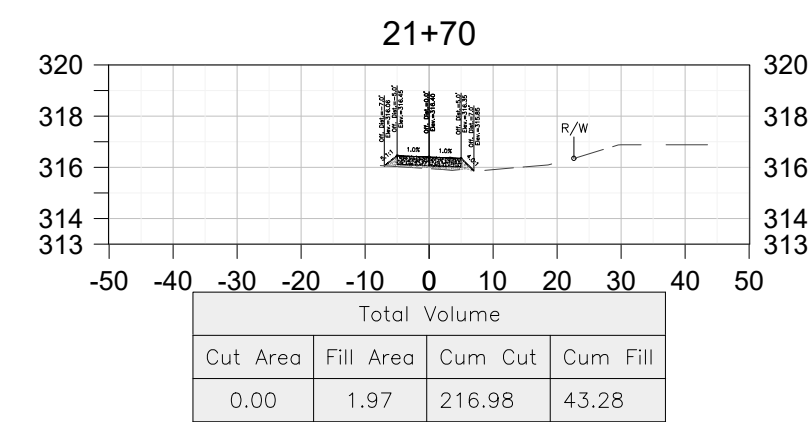
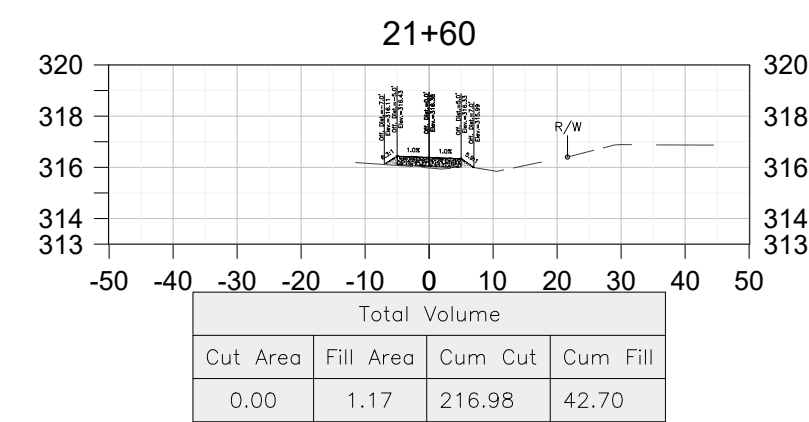
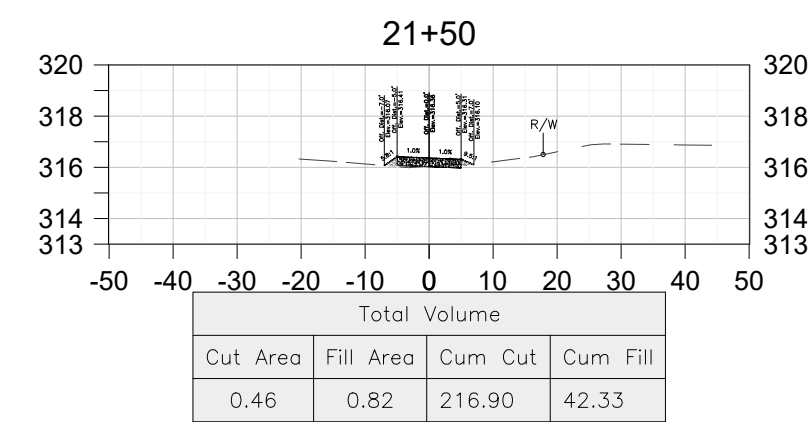
DESIGNED: D.K.	DATE	RECORD DRAWING		SCALE	PROJECT			DEPARTMENT OF PUBLIC WORKS AND PLANNING	
DRAWN: J.D.	----	RESIDENT ENGINEER	DATE		FANCHER CREEK TRAIL PROJECT			SECTION VIEW (4)	
CHECKED: D.S.	07/06/2020				SUPERVISING ENGINEER	DATE		IMPROVEMENTS	
FOR RIGHT OF WAY DATA AND ACCURATE ACCESS DETERMINATION, SEE DOCUMENTS IN THE DEPARTMENT OF PUBLIC WORKS AND PLANNING.					ROAD NO. N/A	BRIDGE NO. N/A	DRAWING NO. 11292	SHEET NO. 4	TOTAL 16



THESE CROSS SECTIONS ARE FOR THE CONTRACTOR'S INFORMATION ONLY. THEY ARE NOT TO BE CONSIDERED TO BE PART OF THE CONTRACT DOCUMENTS AND SHALL HAVE NO BEARING WHATSOEVER ON THE INTERPRETATION OF THE STANDARD SPECIFICATIONS, THE STANDARD PLANS, THE SPECIAL PROVISIONS, NOR SHALL THEY HAVE ANY BEARING WHATSOEVER ON THE INTERPRETATION OF THE OTHER PUBLICATIONS REFERENCED THEREIN.

DESIGNED: D.K.	DATE: ----	RECORD DRAWING		SCALE		PROJECT		DEPARTMENT OF PUBLIC WORKS AND PLANNING	
DRAWN: J.D.	DATE: ----	RESIDENT ENGINEER	DATE	0 30' 60'		FANCHER CREEK TRAIL PROJECT		SECTION VIEW (5)	
CHECKED: D.S.	07/06/2020					IMPROVEMENTS		-	
FOR RIGHT OF WAY DATA AND ACCURATE ACCESS DETERMINATION, SEE DOCUMENTS IN THE DEPARTMENT OF PUBLIC WORKS AND PLANNING.				SUPERVISING ENGINEER		DATE		ROAD NO. N/A	
						BRIDGE NO. N/A		DRAWING NO. 11292	
								SHEET NO. 5	
								TOTAL 16	

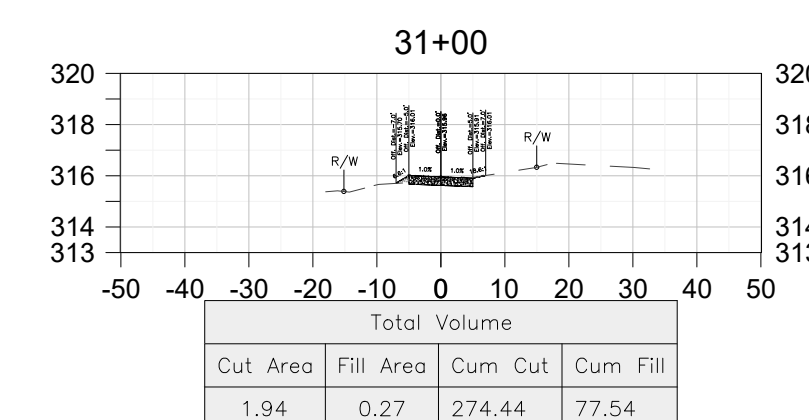
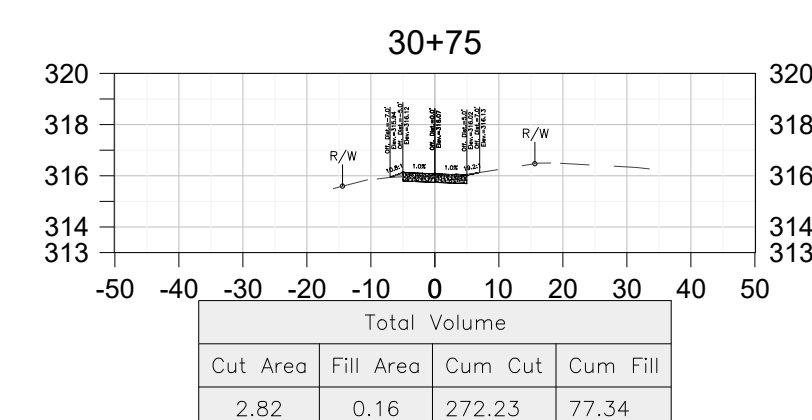
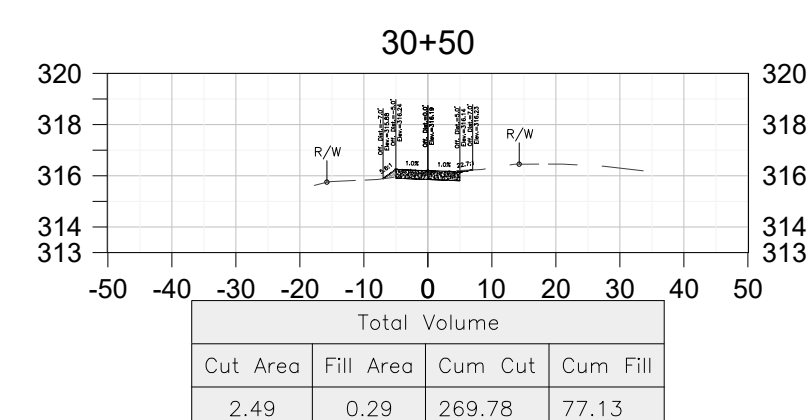
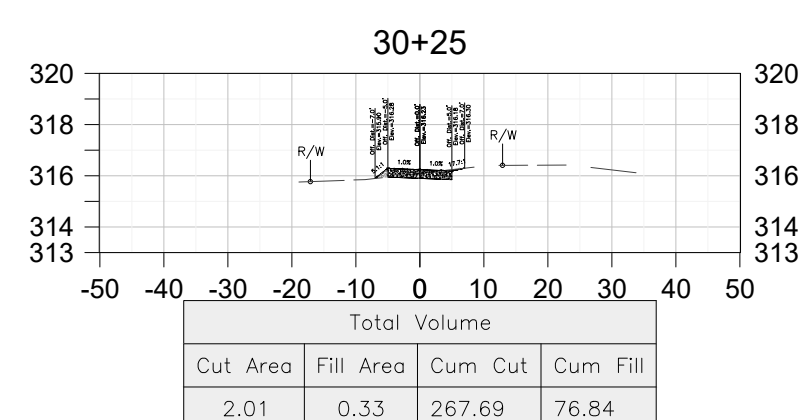
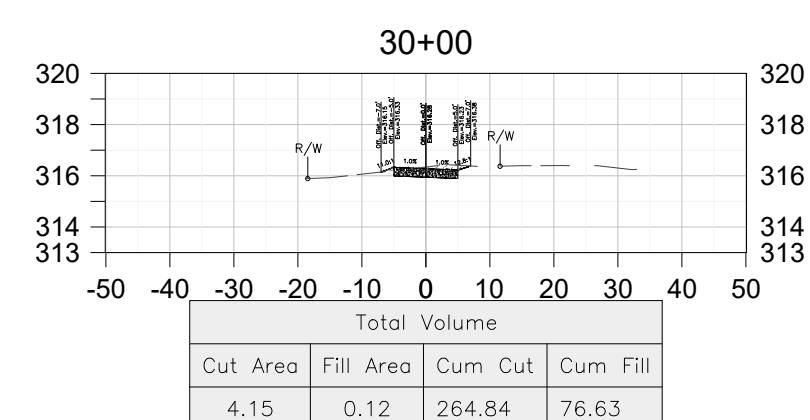
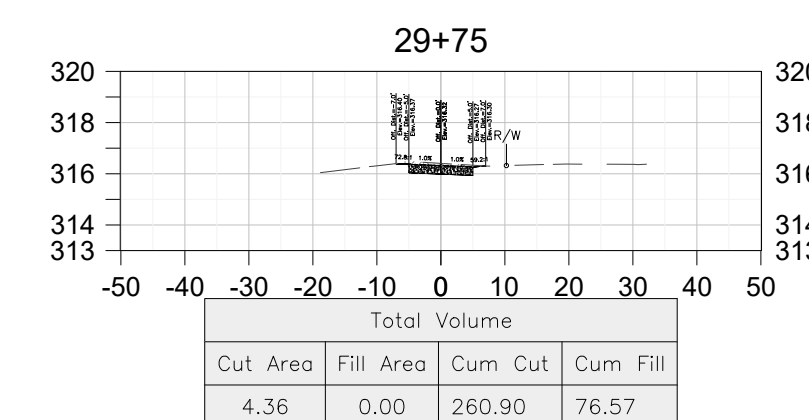
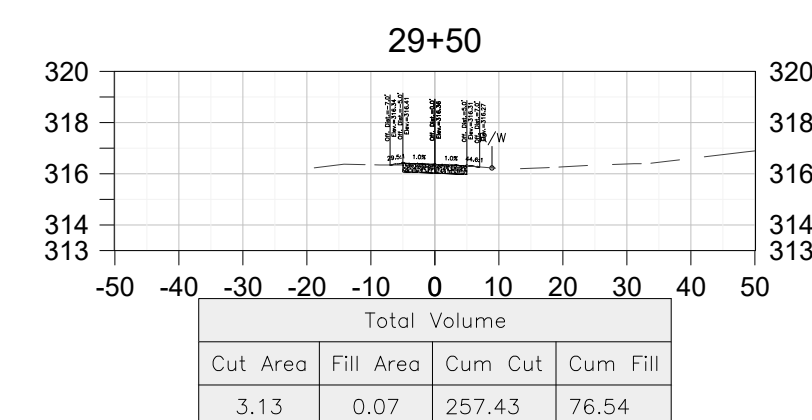
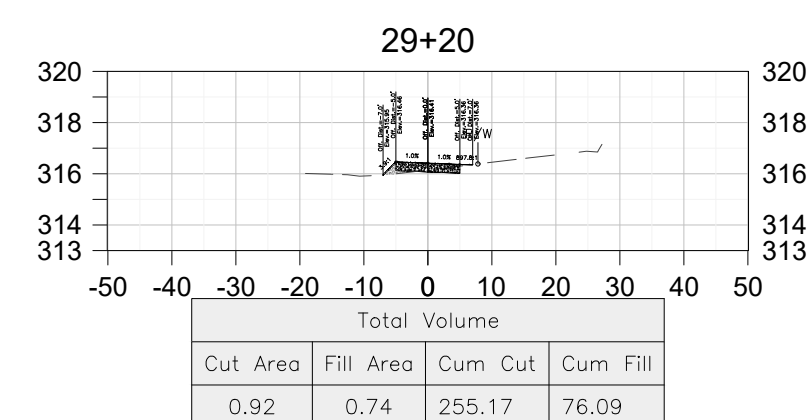
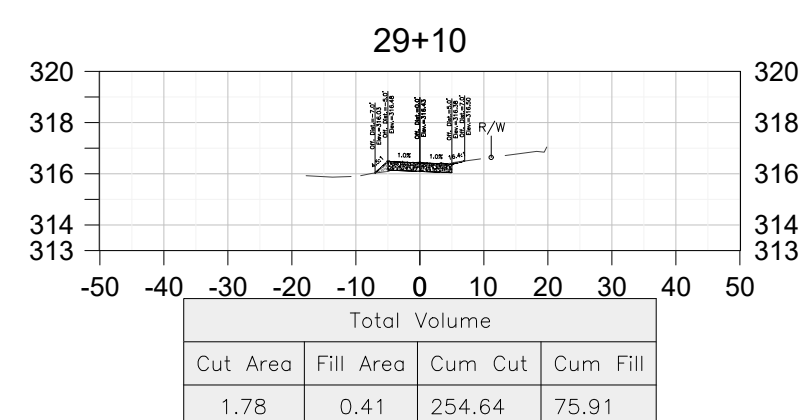
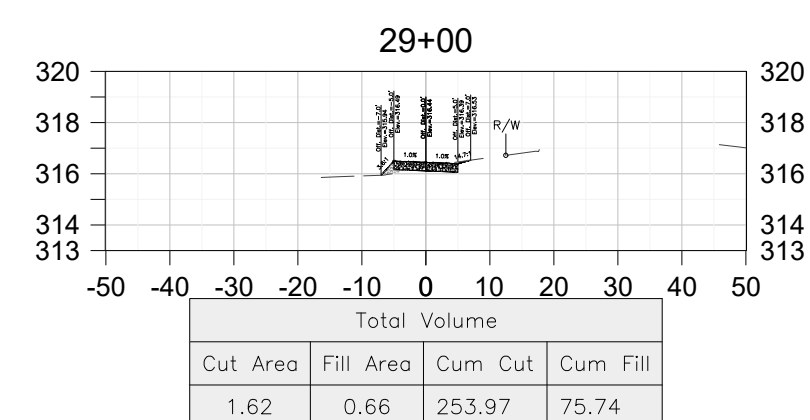
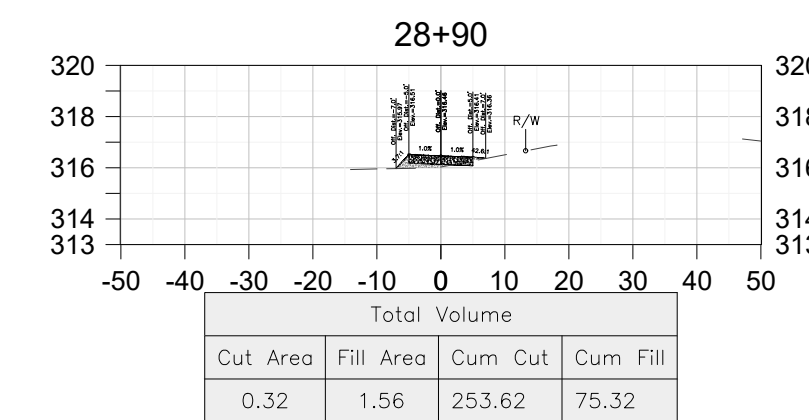
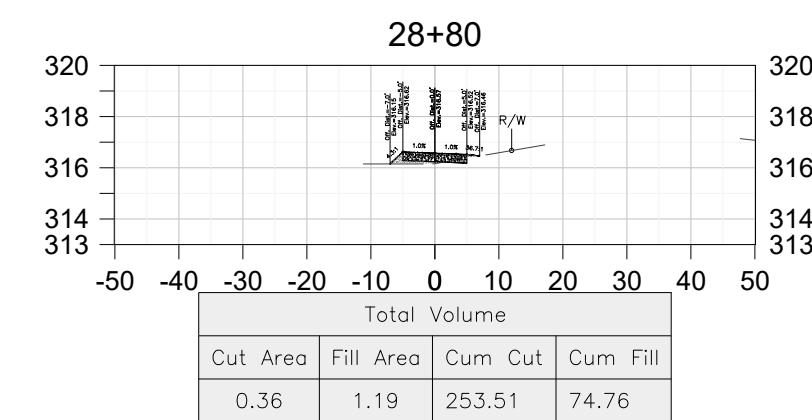
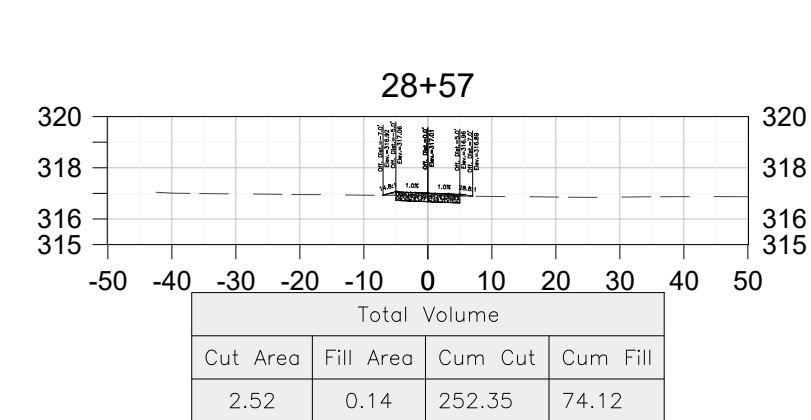
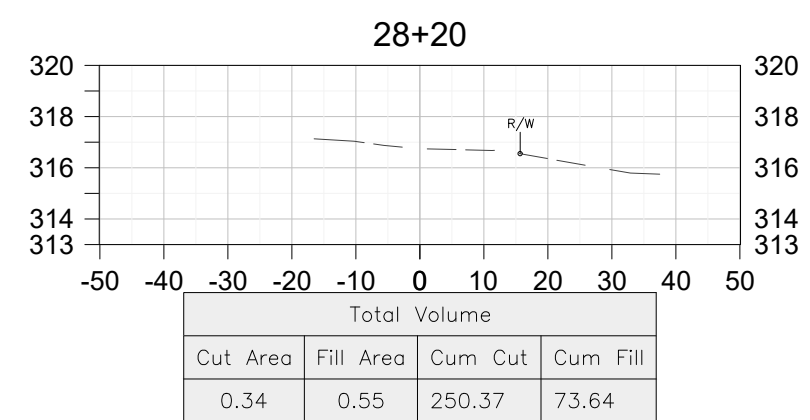
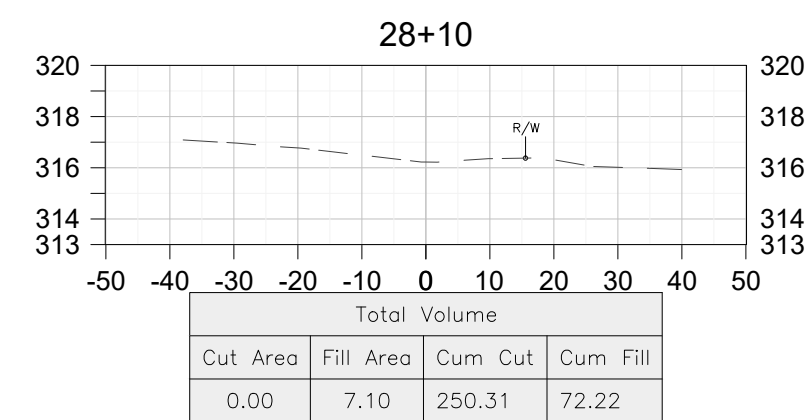
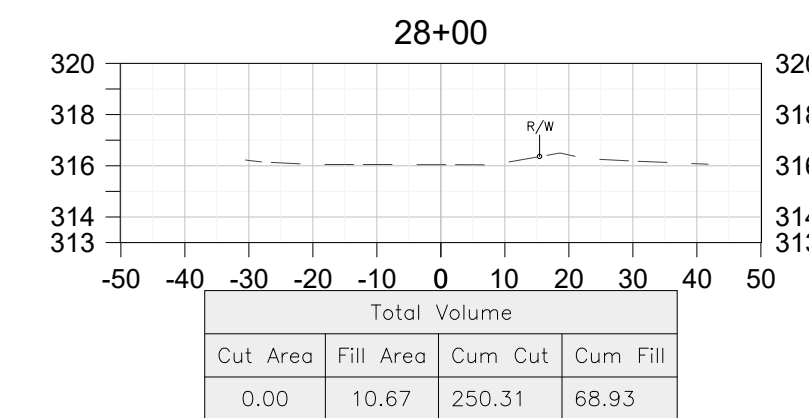
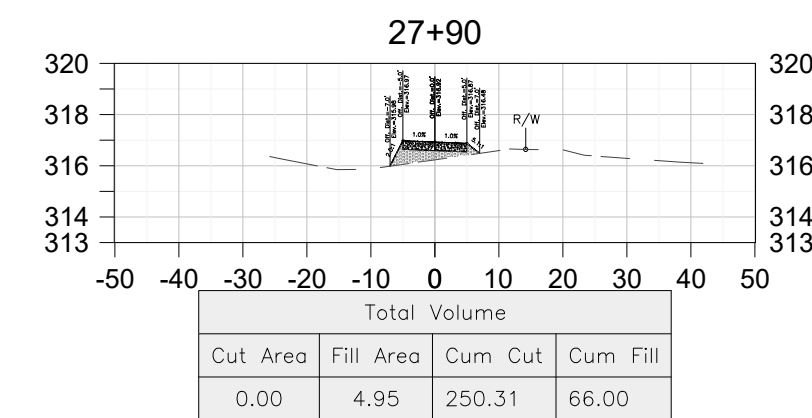
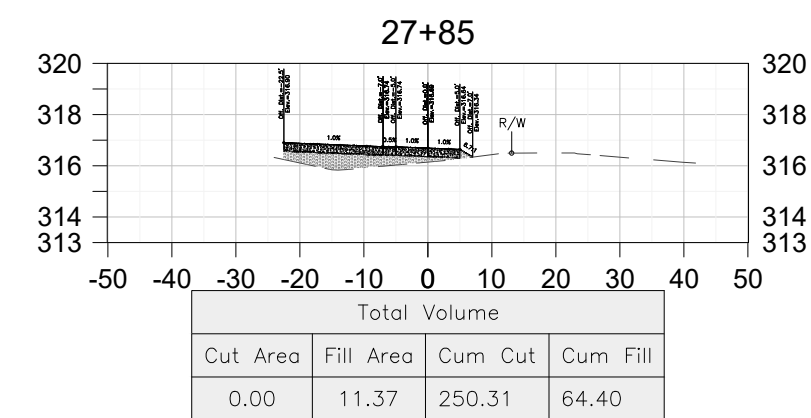
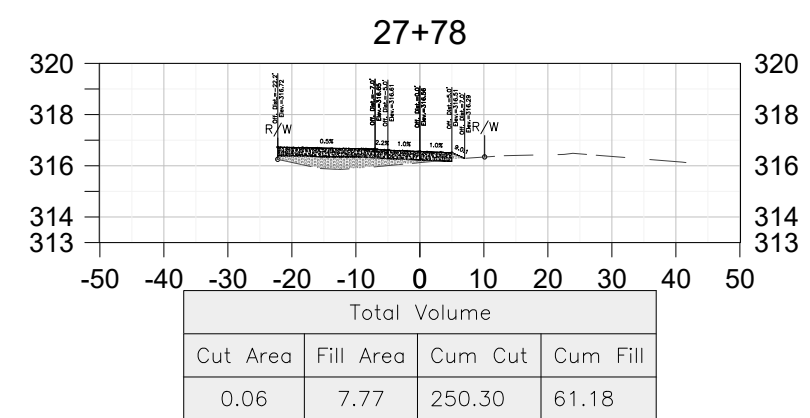
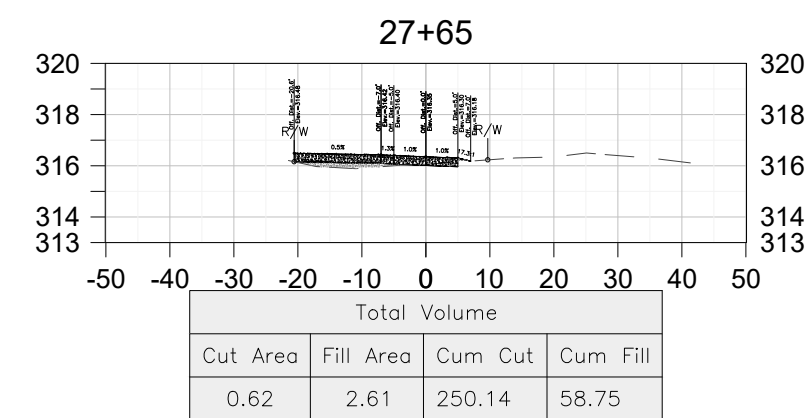
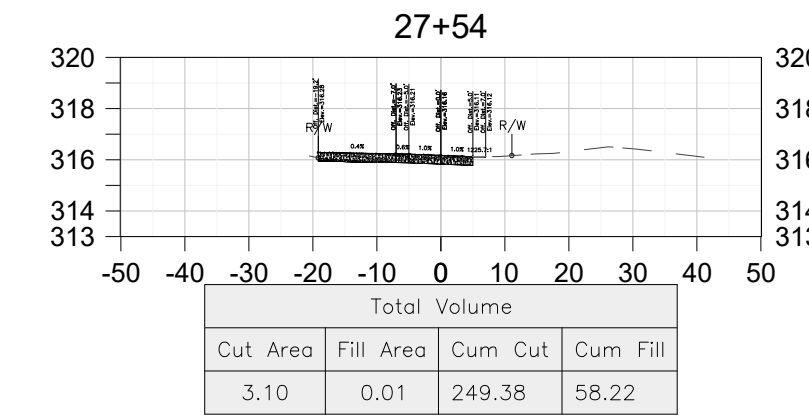
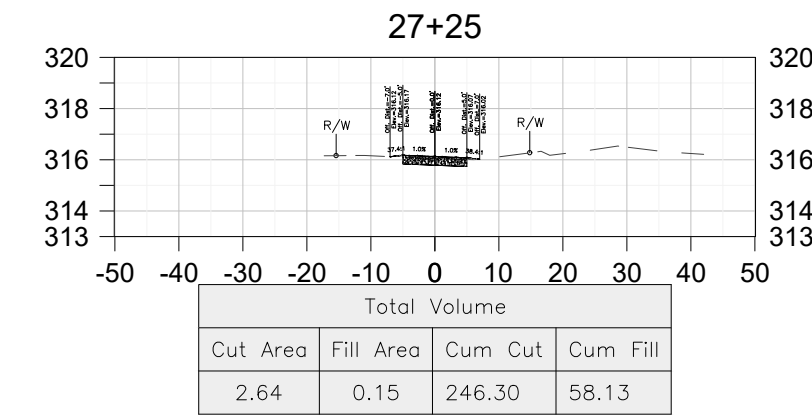
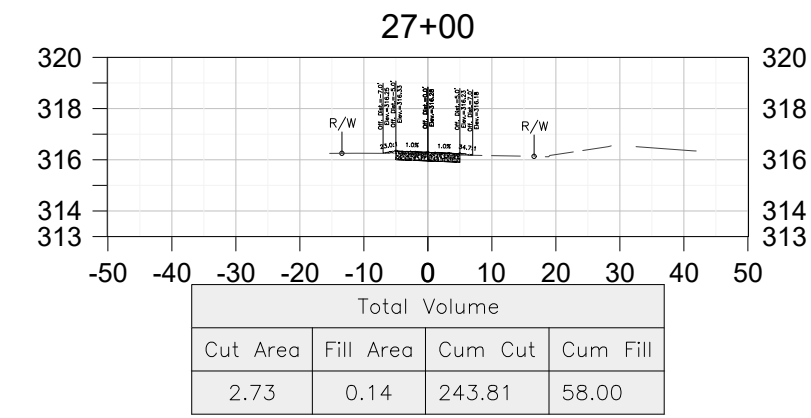
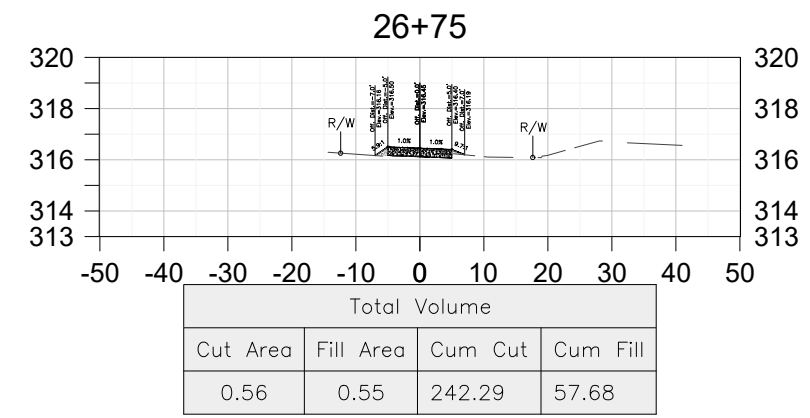
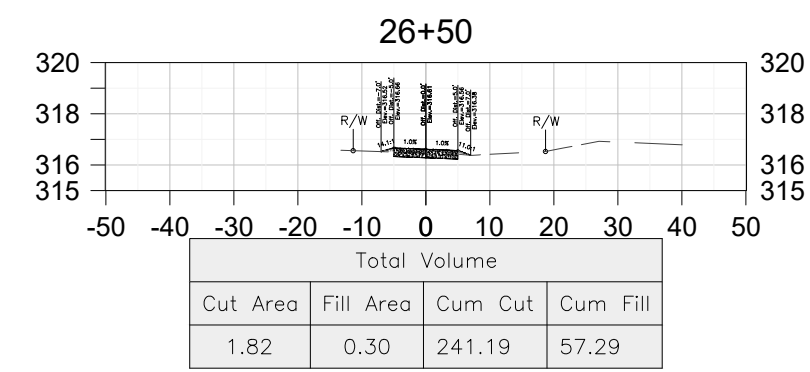
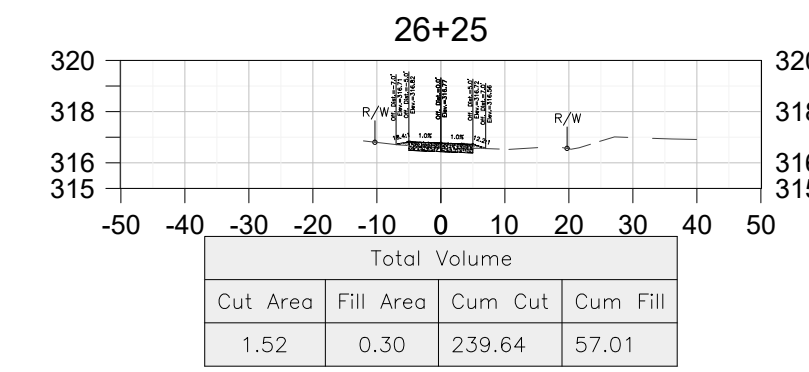
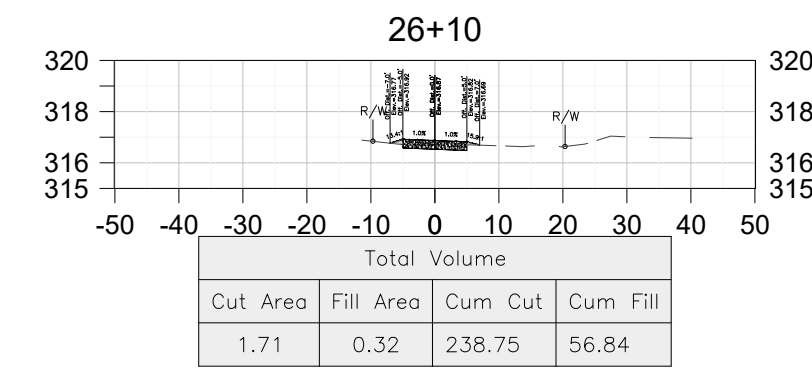
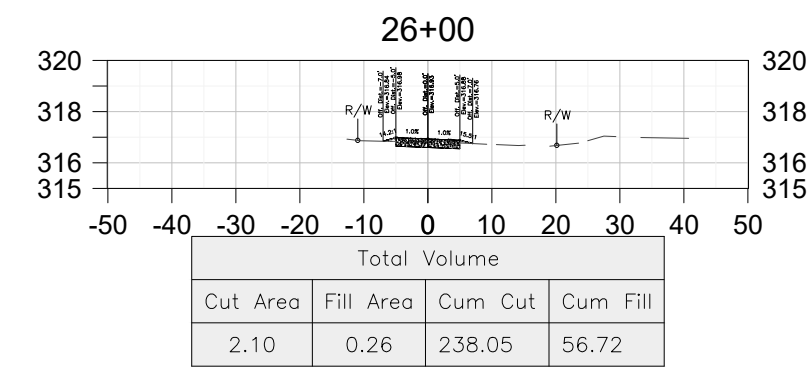
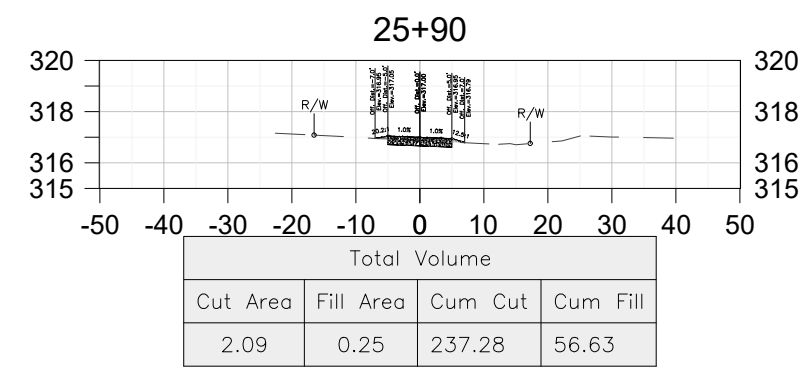
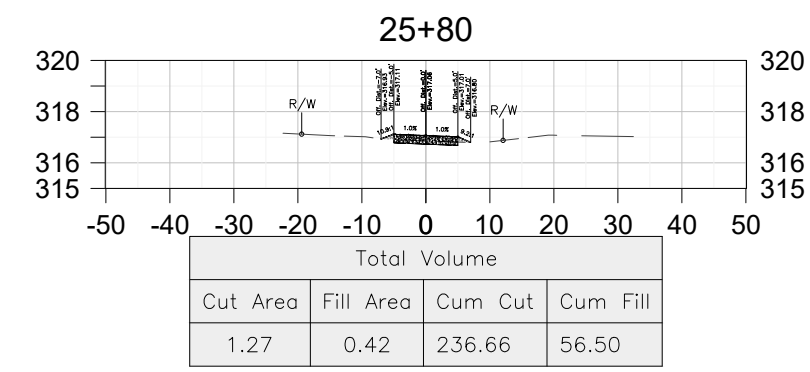




THESE CROSS SECTIONS ARE FOR THE CONTRACTOR'S INFORMATION ONLY. THEY ARE NOT TO BE CONSIDERED TO BE PART OF THE CONTRACT DOCUMENTS AND SHALL HAVE NO BEARING WHATSOEVER ON THE INTERPRETATION OF THE STANDARD SPECIFICATIONS, THE STANDARD PLANS, THE SPECIAL PROVISIONS, NOR SHALL THEY HAVE ANY BEARING WHATSOEVER ON THE INTERPRETATION OF THE OTHER PUBLICATIONS REFERENCED THEREIN.

DESIGNED: D.K. DRAWN: J.D. CHECKED: D.S.	DATE: 07/06/2020 RESIDENT ENGINEER	<b>RECORD DRAWING</b>	<b>SCALE</b> 0 30' 60' 	<b>PROJECT</b> <b>FANCHER CREEK TRAIL PROJECT</b> <b>IMPROVEMENTS</b>		<b>DEPARTMENT OF PUBLIC WORKS AND PLANNING</b> <b>SECTION VIEW (6)</b>
			SUPERVISING ENGINEER _____ DATE _____	ROAD NO. N/A      BRIDGE NO. N/A	DRAWING NO. 11292      SHEET NO. 6      TOTAL 16	

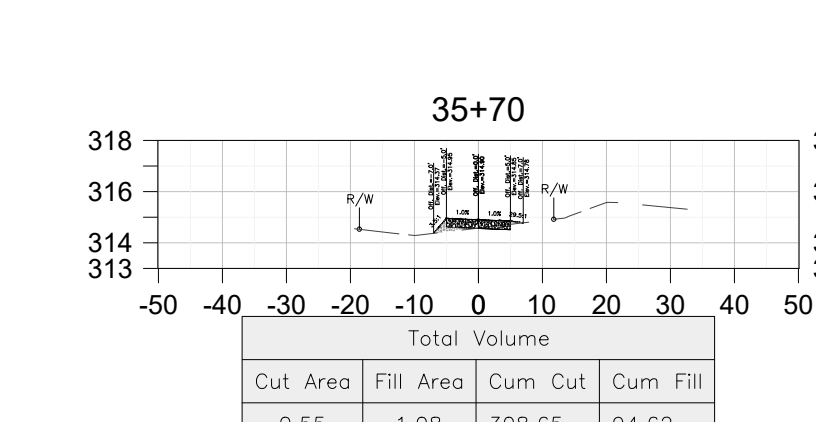
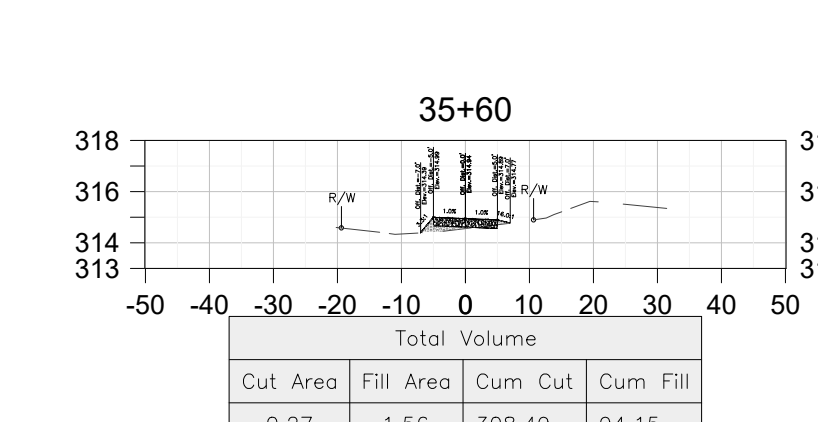
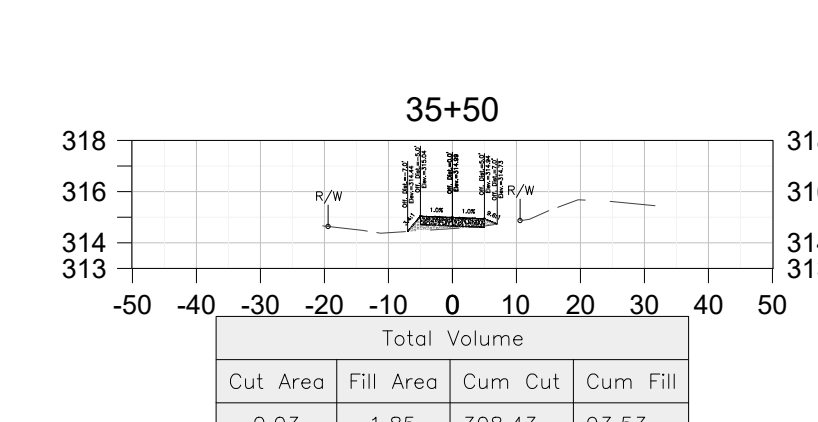
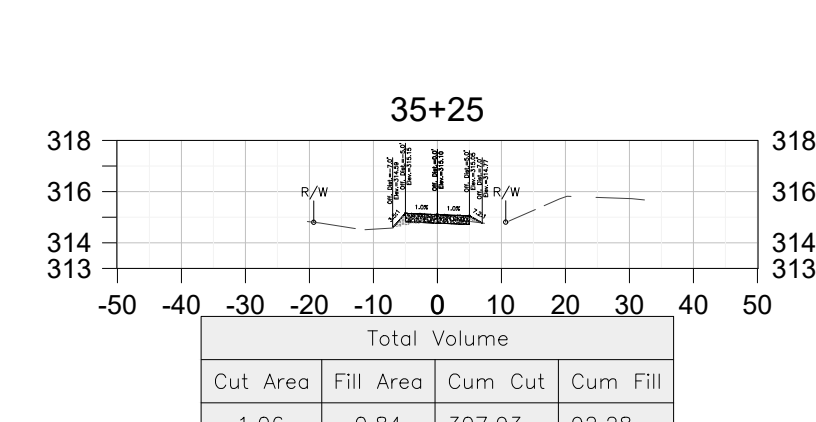
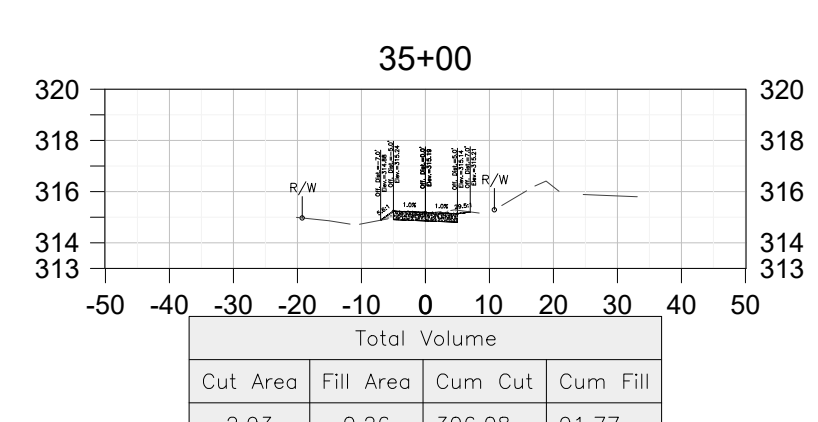
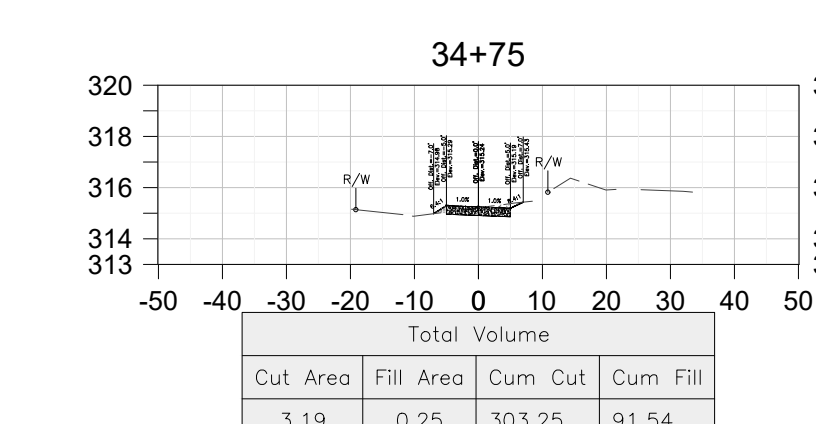
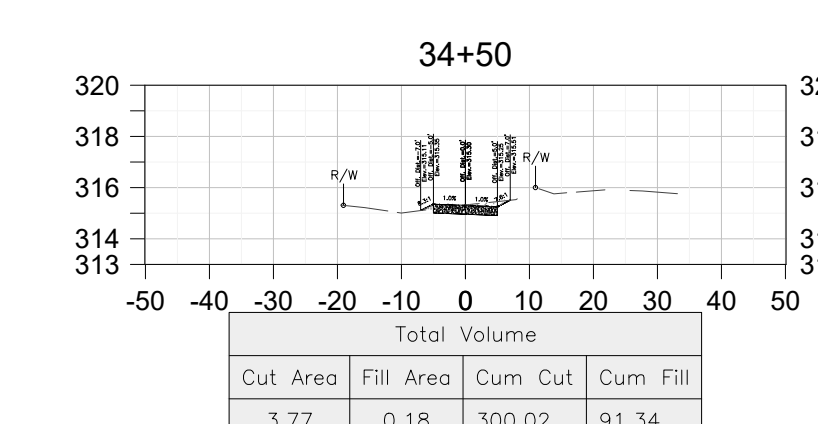
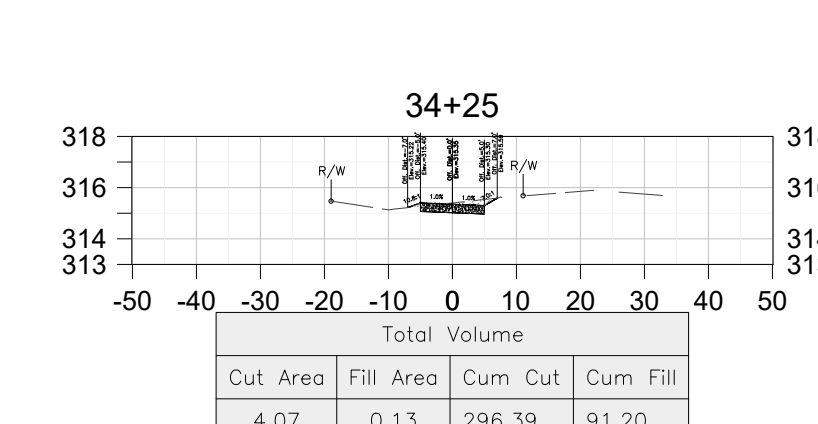
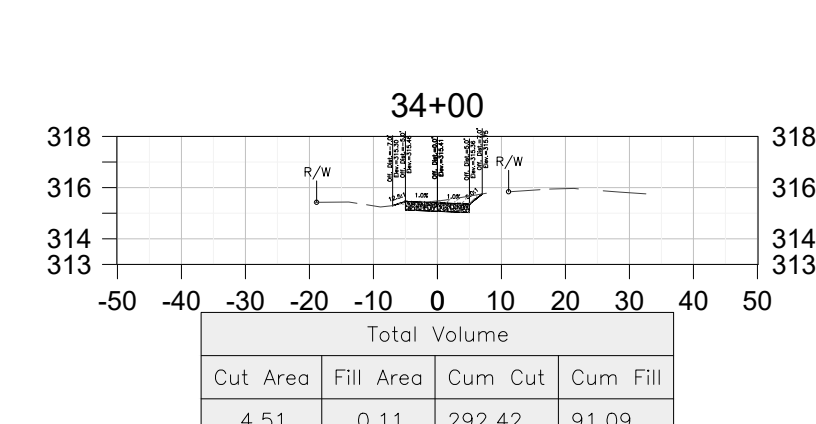
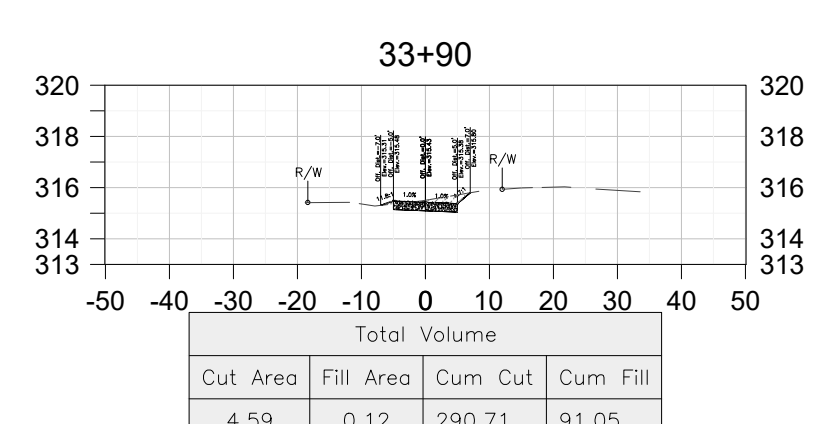
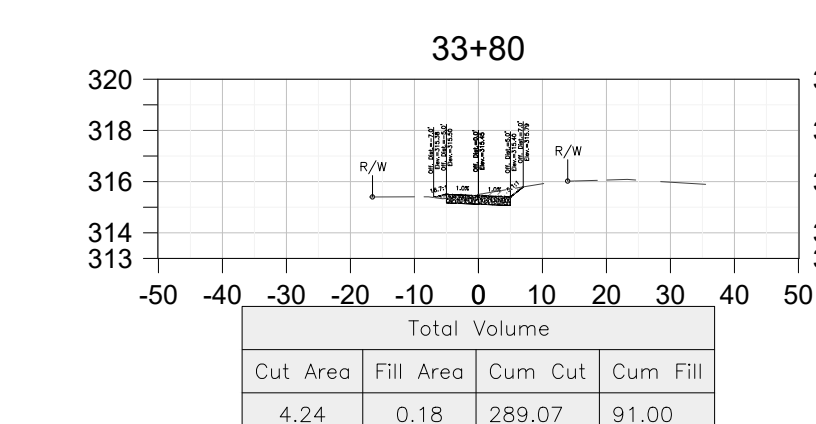
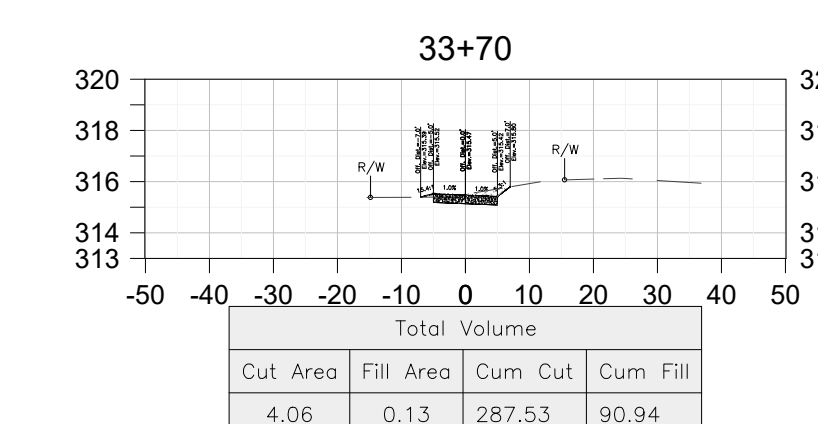
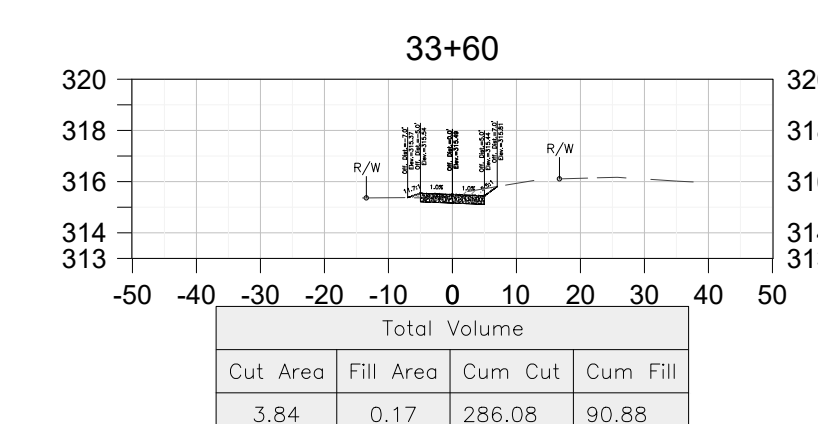
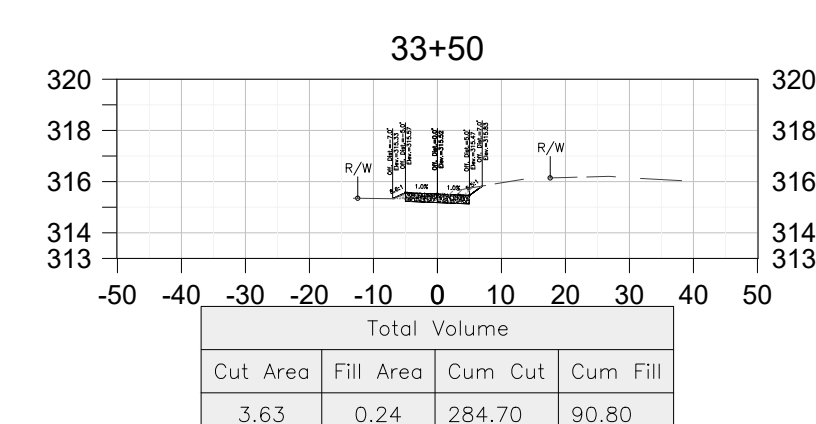
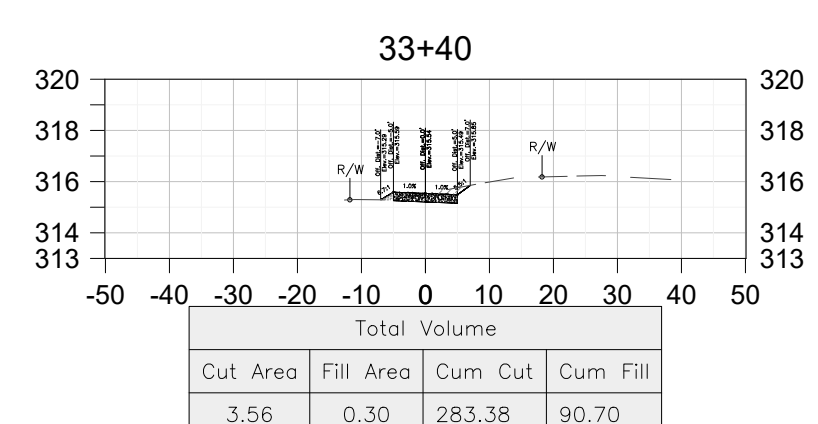
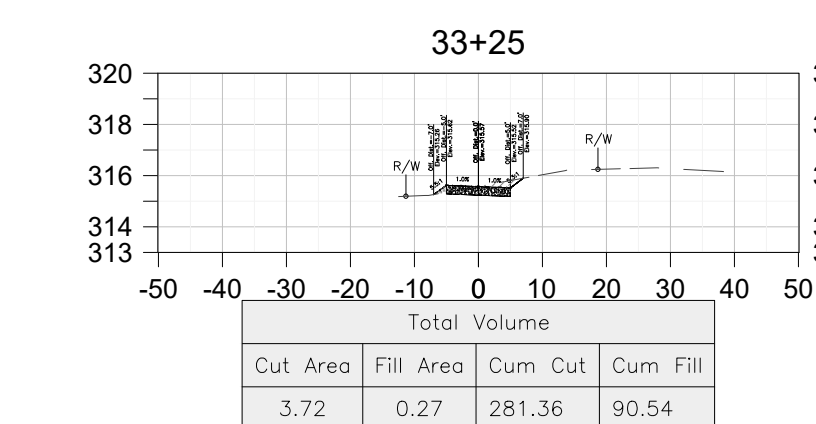
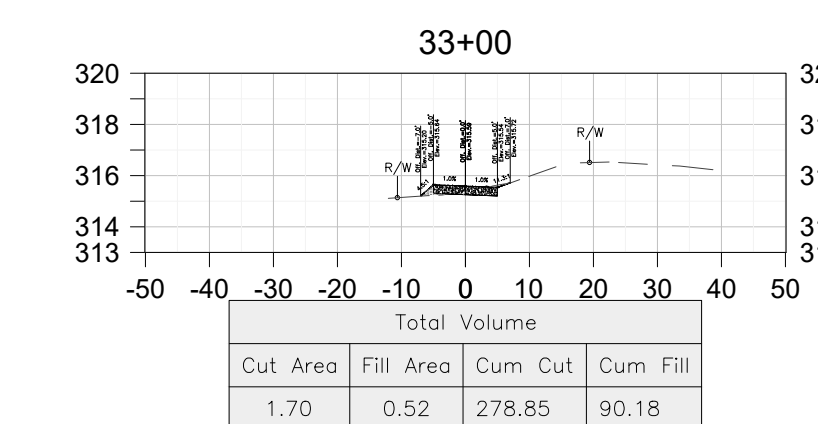
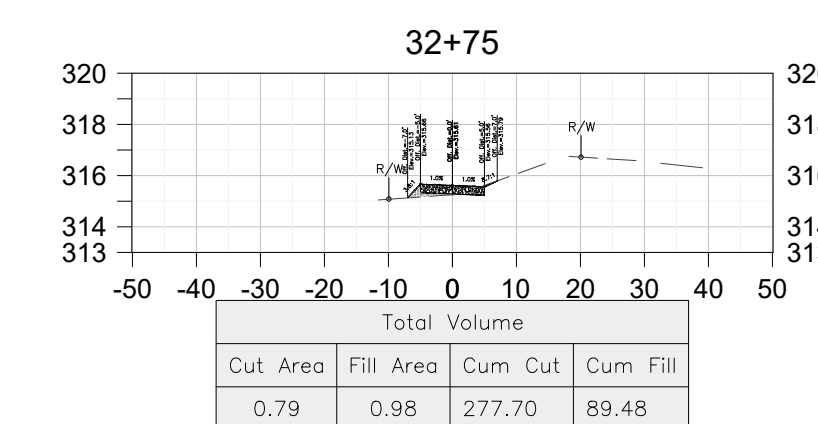
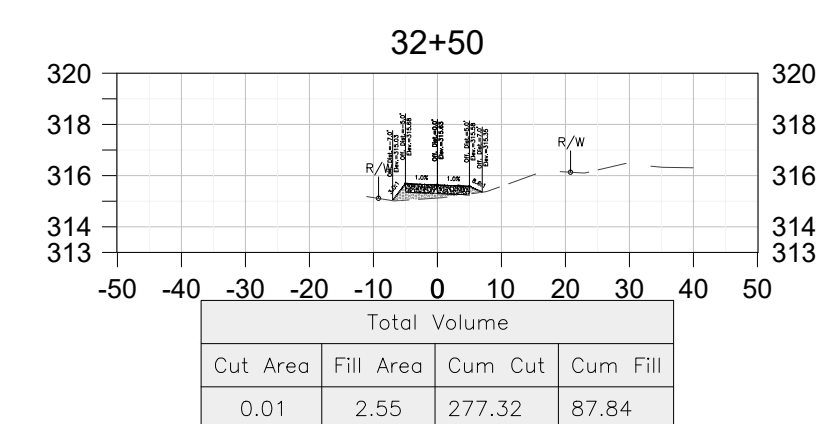
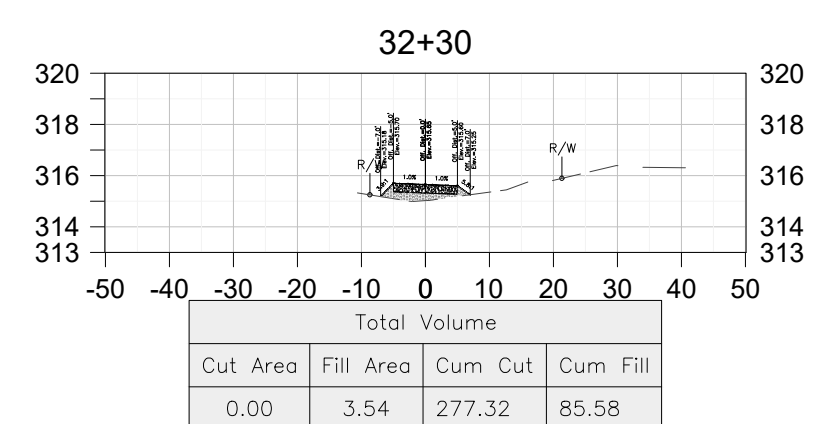
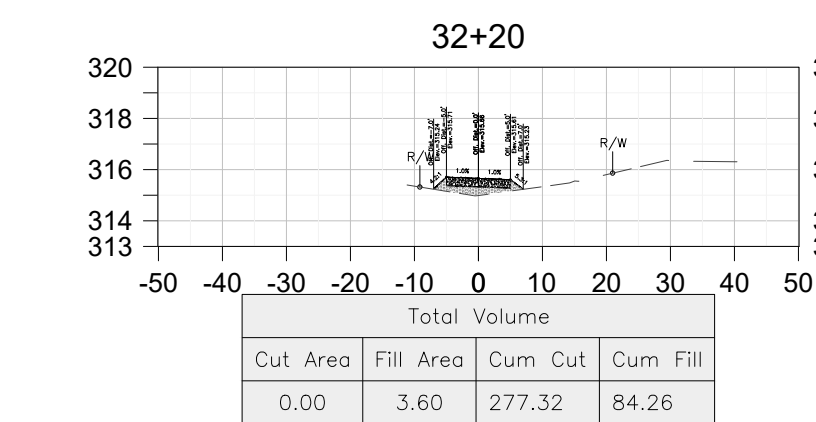
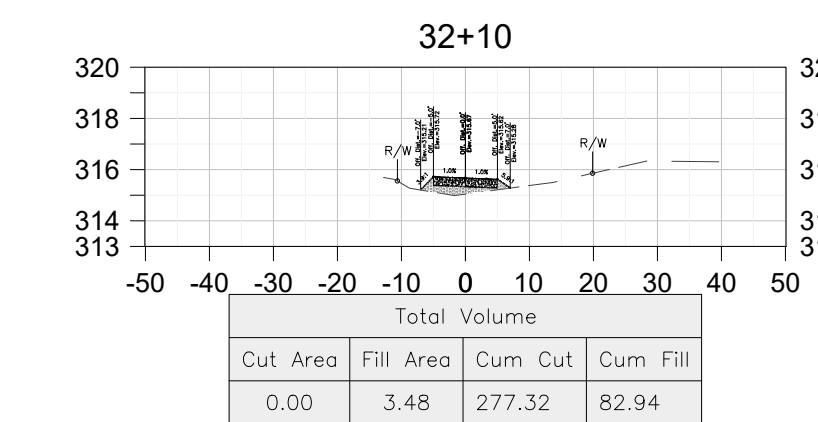
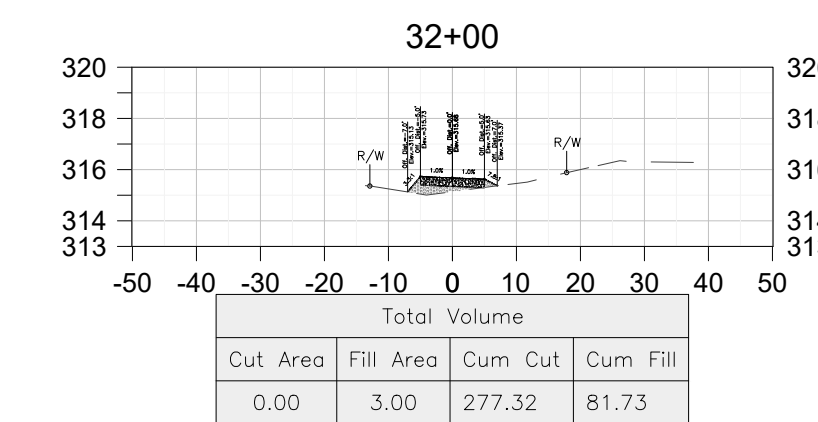
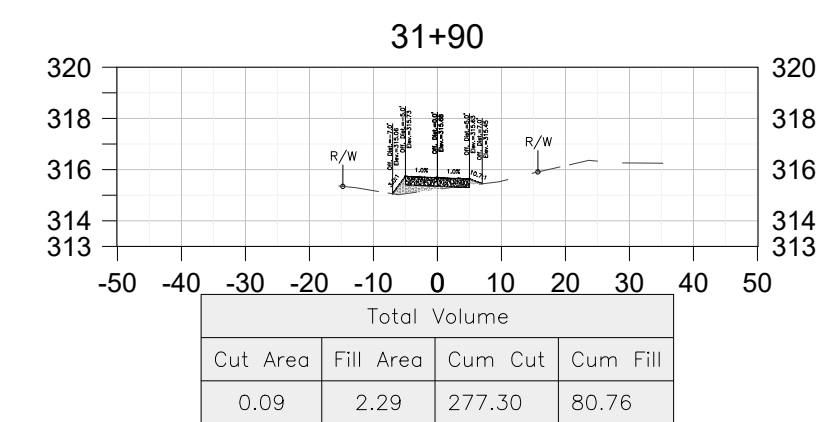
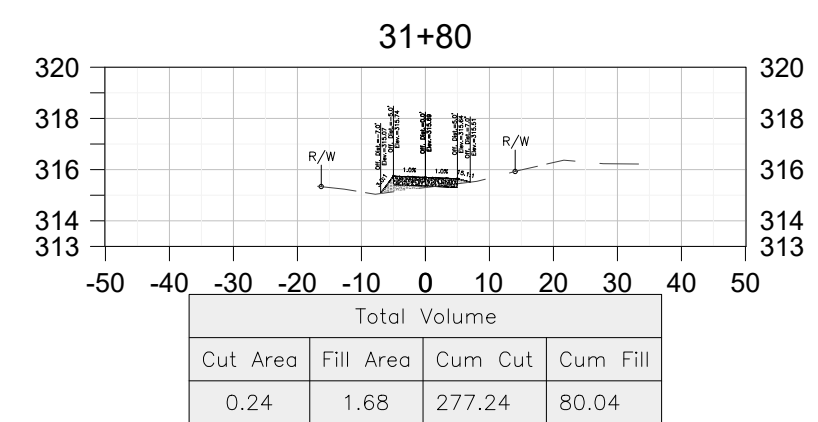
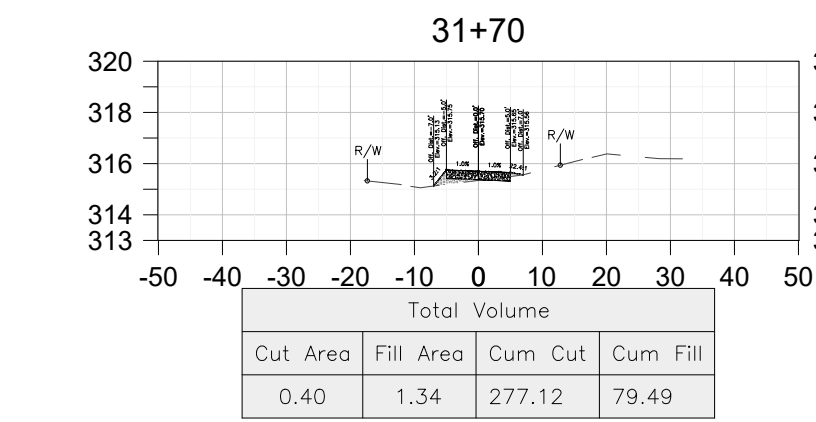
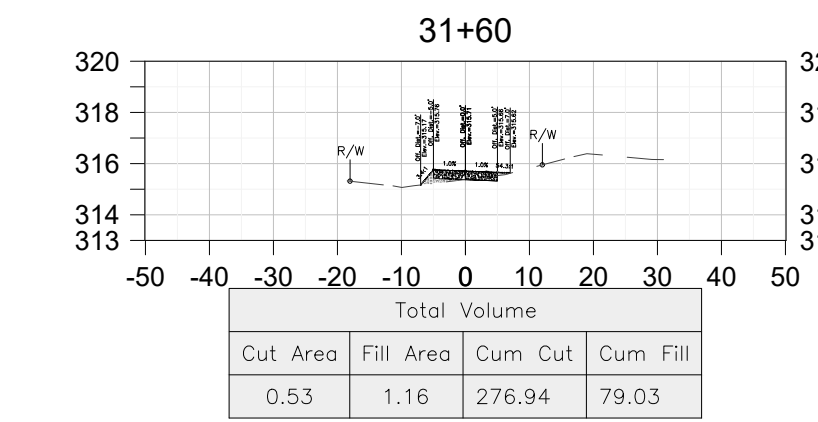
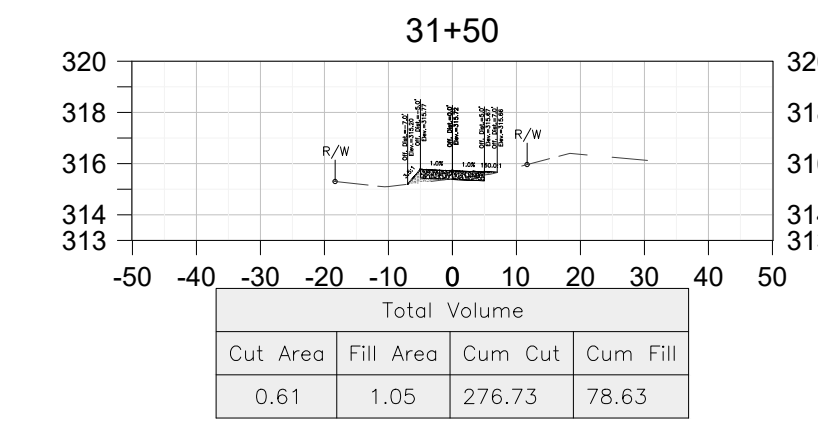
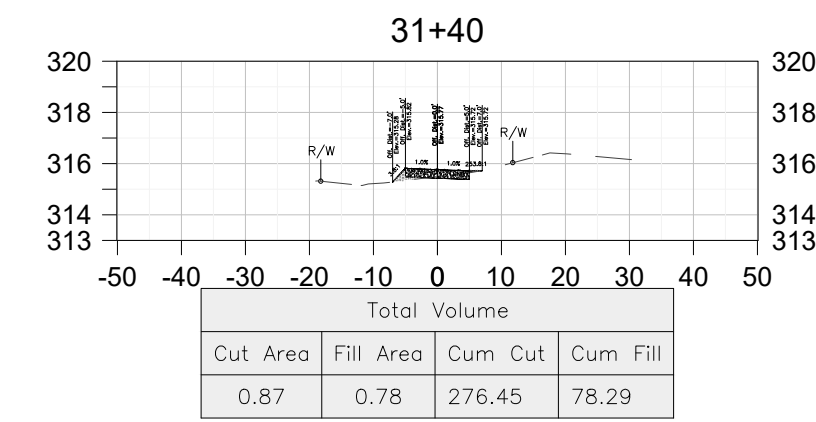
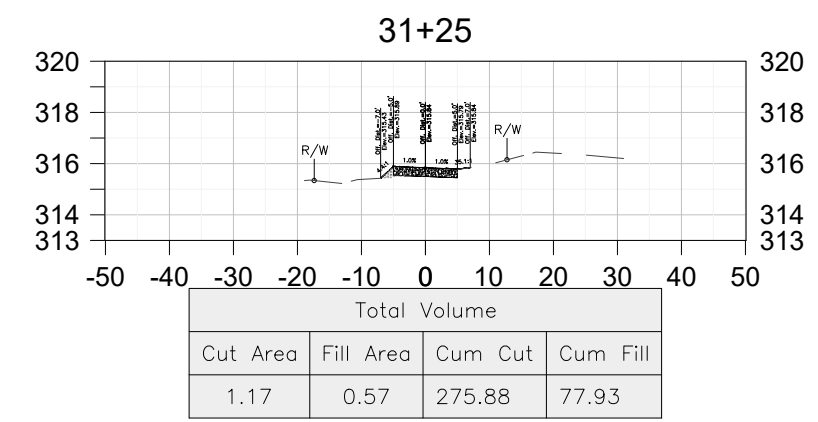
FOR RIGHT OF WAY DATA AND ACCURATE ACCESS DETERMINATION, SEE DOCUMENTS IN THE DEPARTMENT OF PUBLIC WORKS AND PLANNING.



THESE CROSS SECTIONS ARE FOR THE CONTRACTOR'S INFORMATION ONLY. THEY ARE NOT TO BE CONSIDERED TO BE PART OF THE CONTRACT DOCUMENTS AND SHALL HAVE NO BEARING WHATSOEVER ON THE INTERPRETATION OF THE STANDARD SPECIFICATIONS, THE STANDARD PLANS, THE SPECIAL PROVISIONS, NOR SHALL THEY HAVE ANY BEARING WHATSOEVER ON THE INTERPRETATION OF THE OTHER PUBLICATIONS REFERENCED THEREIN.

DESIGNED: D.K.	DATE: ----	RECORD DRAWING		SCALE		PROJECT		DEPARTMENT OF PUBLIC WORKS AND PLANNING	
DRAWN: J.D.	DATE: ----	RESIDENT ENGINEER	DATE	0 30' 60'		FANCHER CREEK TRAIL PROJECT		SECTION VIEW (7)	
CHECKED: D.S.	07/06/2020			SUPERVISING ENGINEER		IMPROVEMENTS			
FOR RIGHT OF WAY DATA AND ACCURATE ACCESS DETERMINATION, SEE DOCUMENTS IN THE DEPARTMENT OF PUBLIC WORKS AND PLANNING.						ROAD NO. N/A		BRIDGE NO. N/A	
								DRAWING NO. 11292 SHEET NO. 7 TOTAL 16	



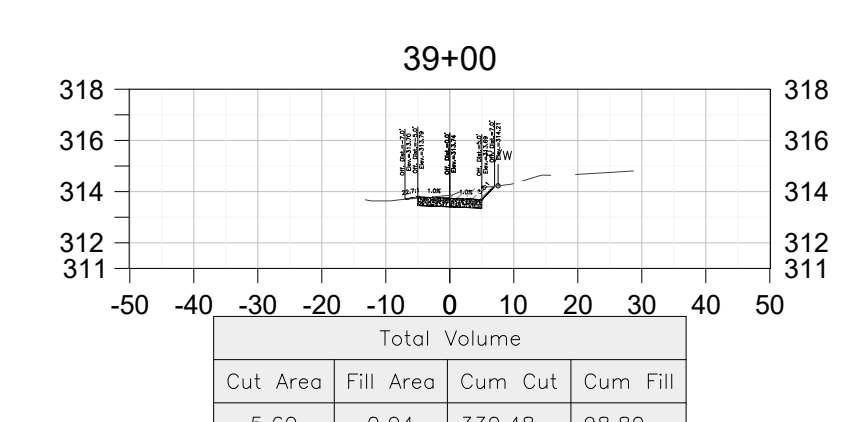
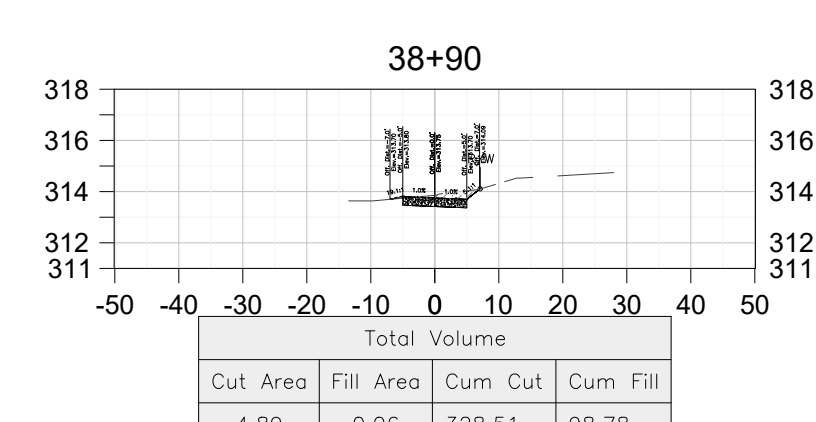
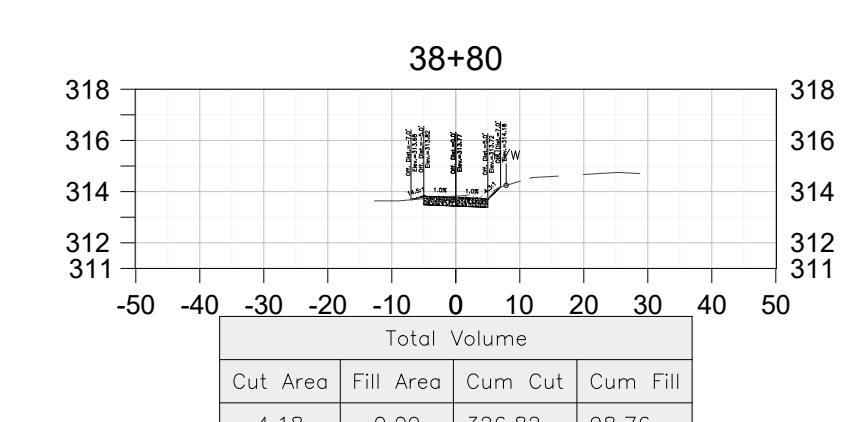
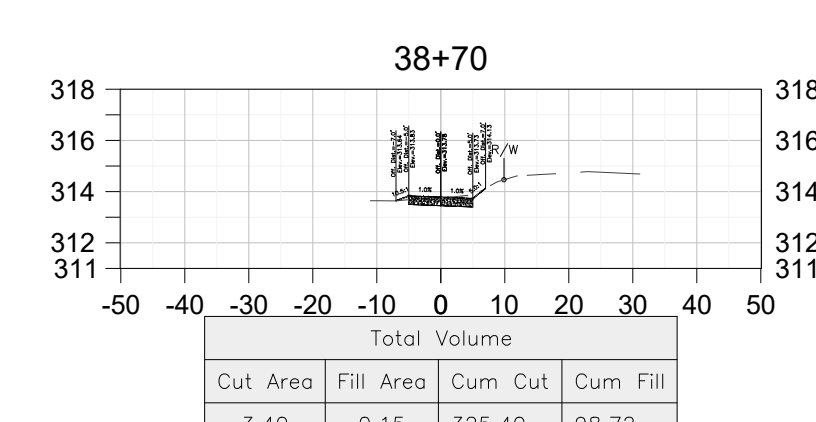
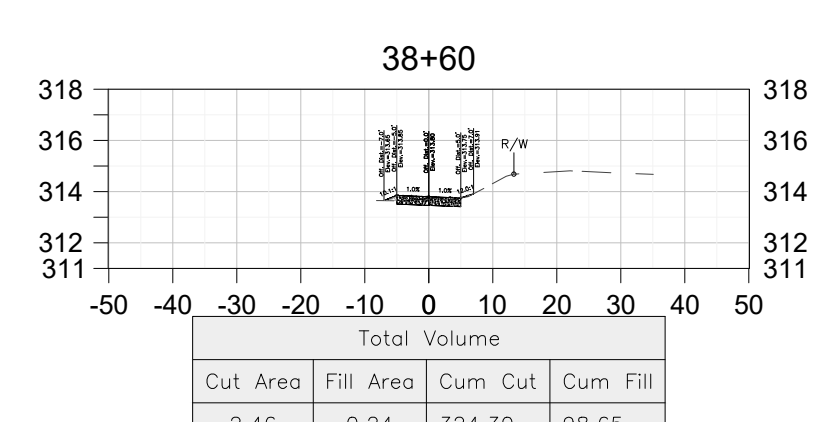
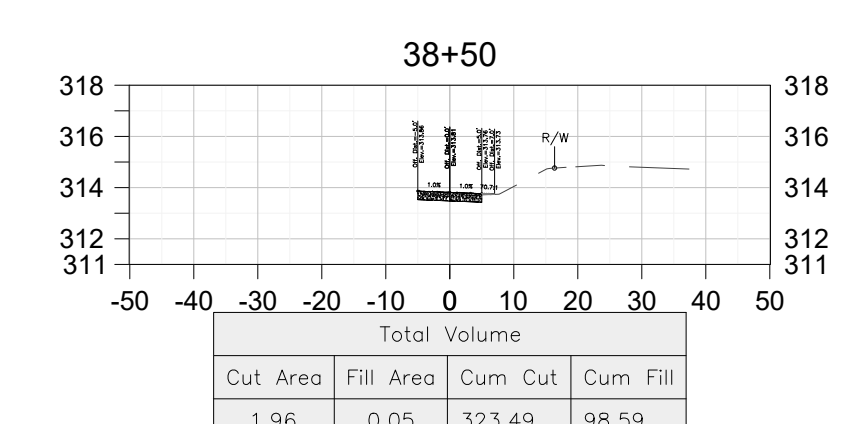
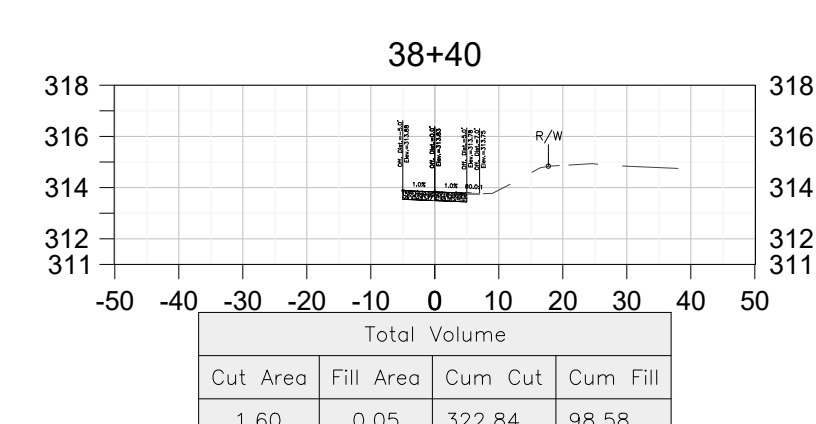
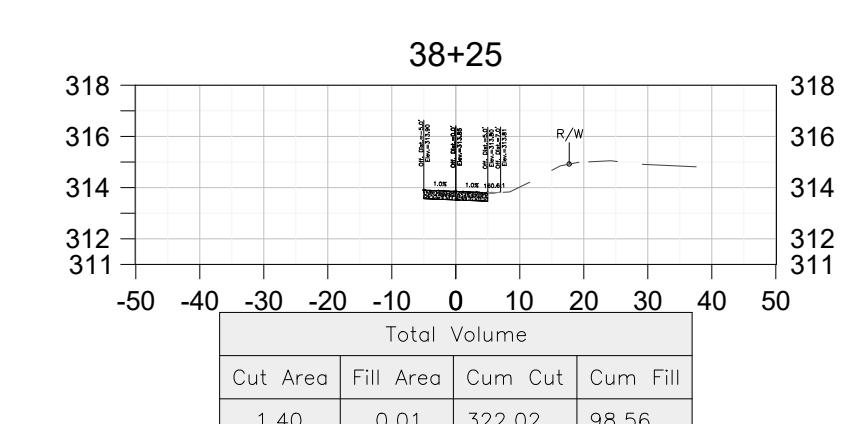
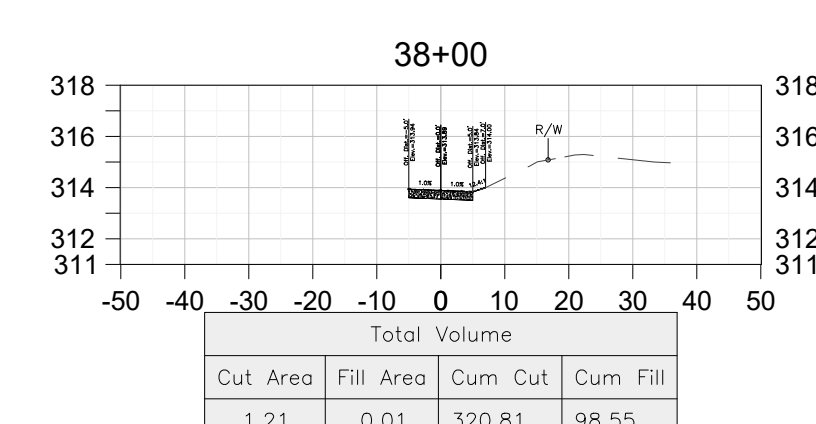
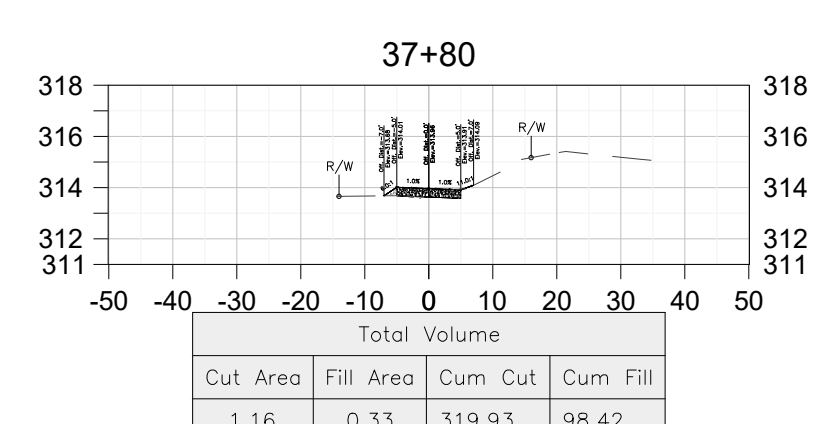
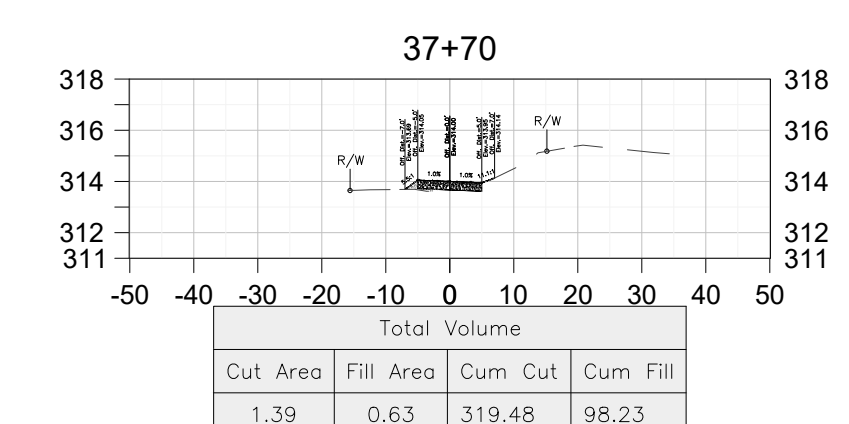
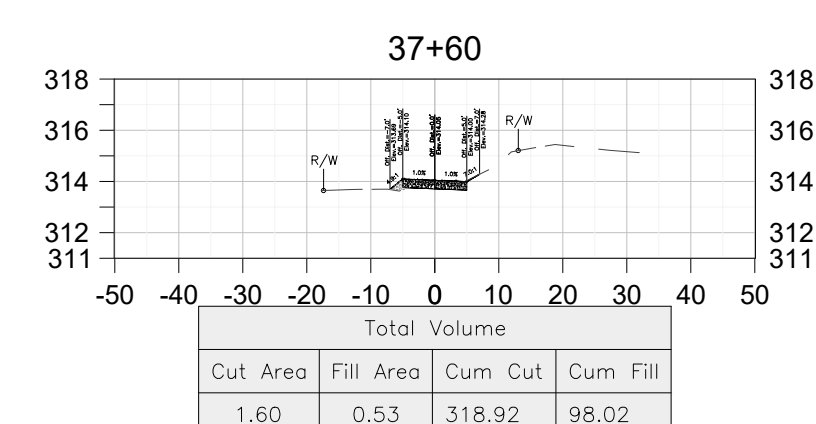
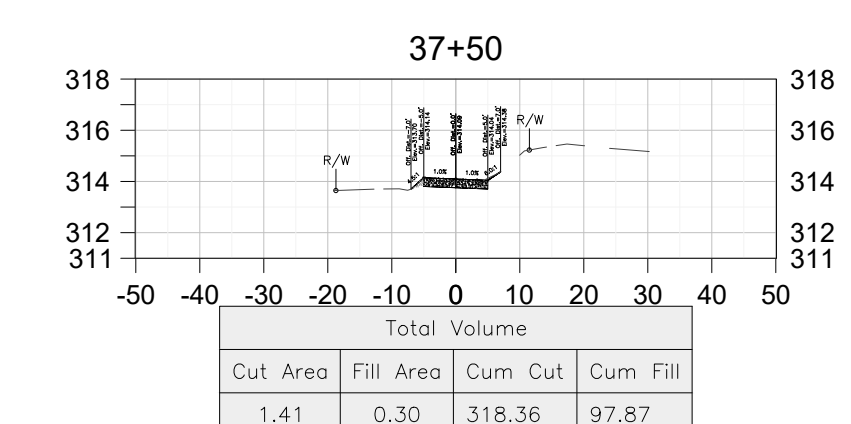
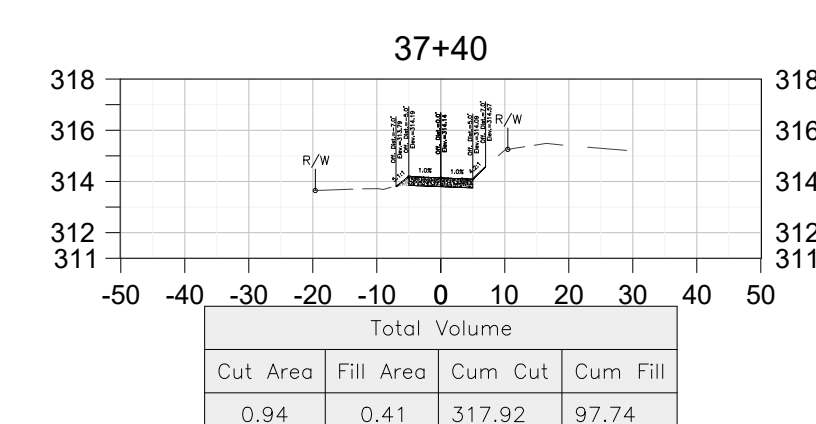
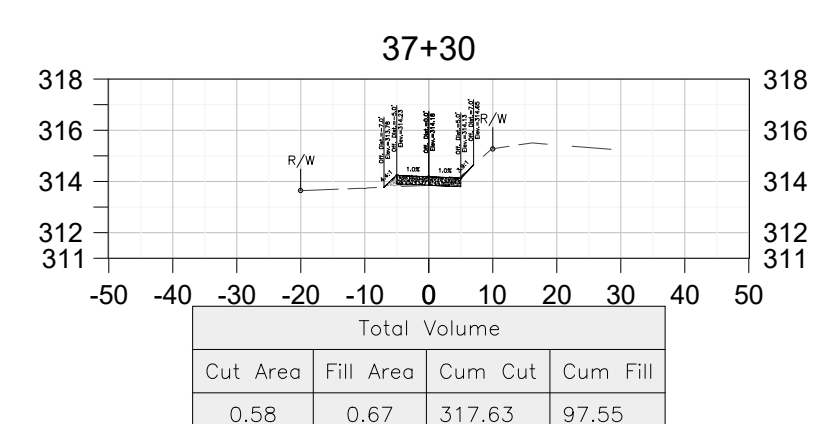
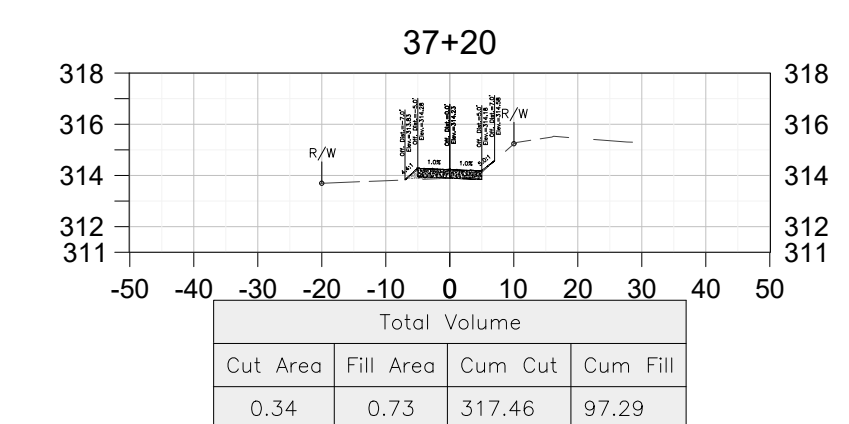
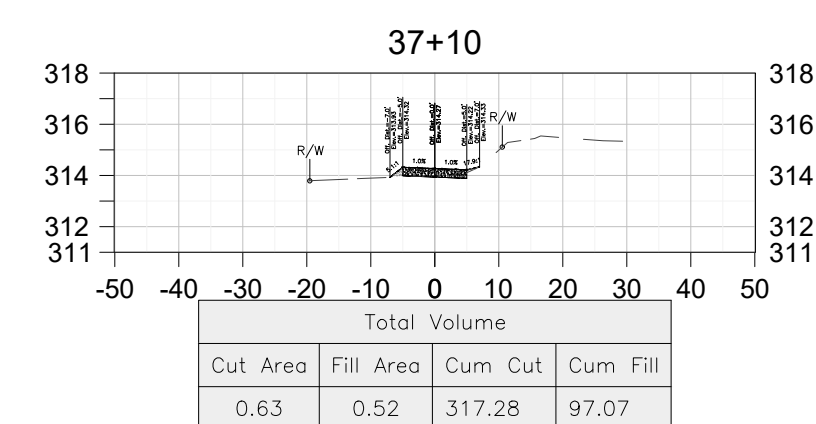
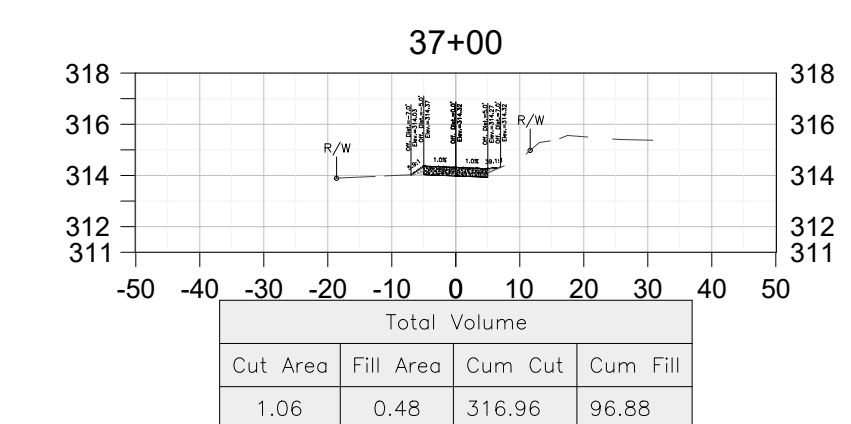
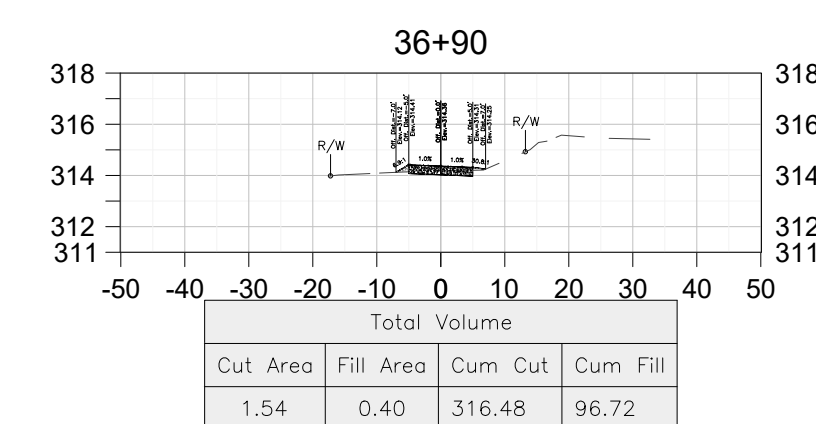
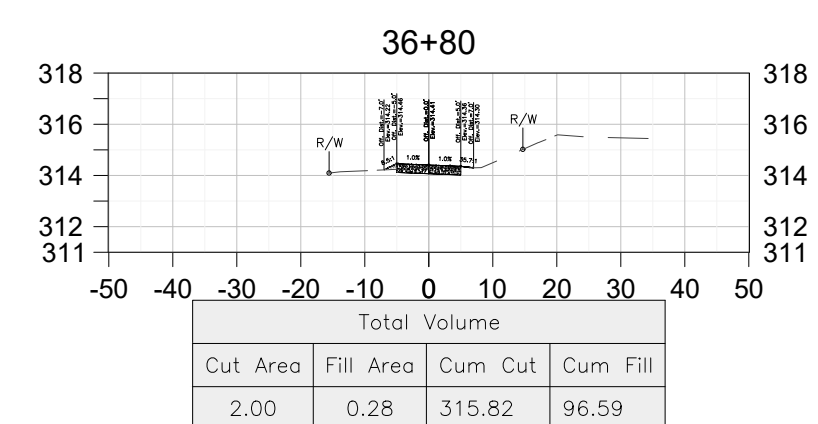
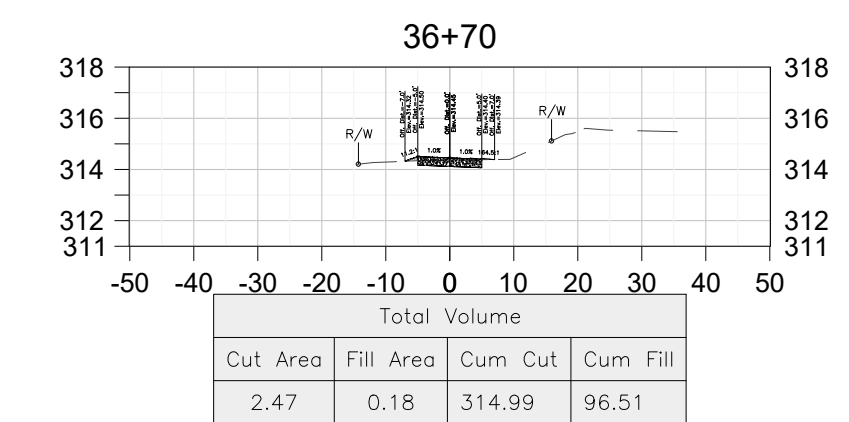
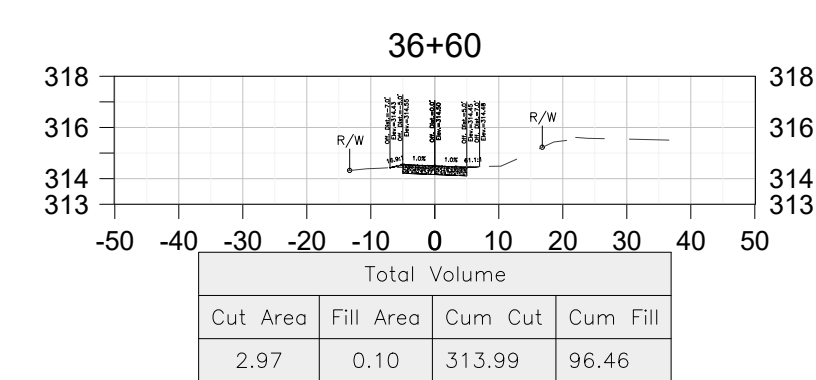
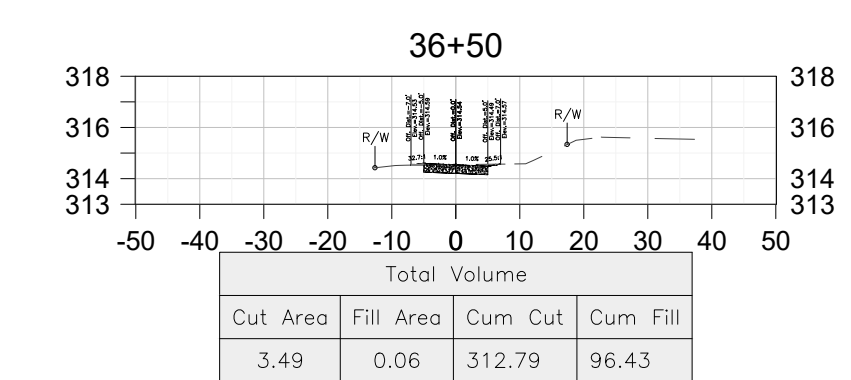
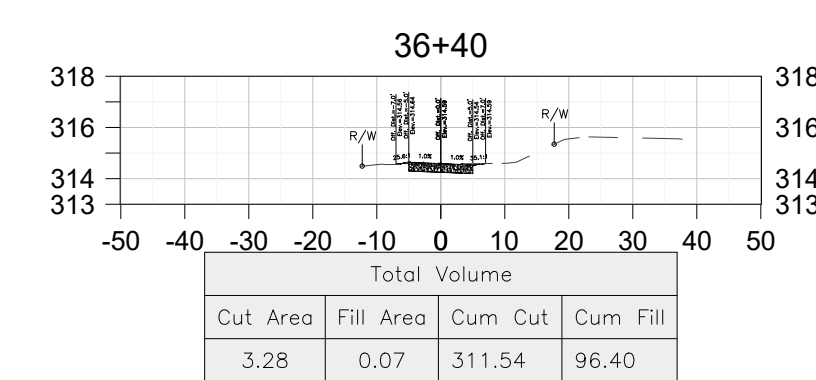
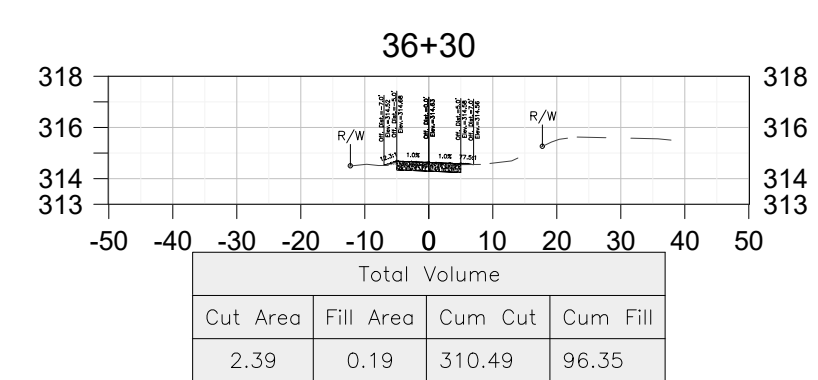
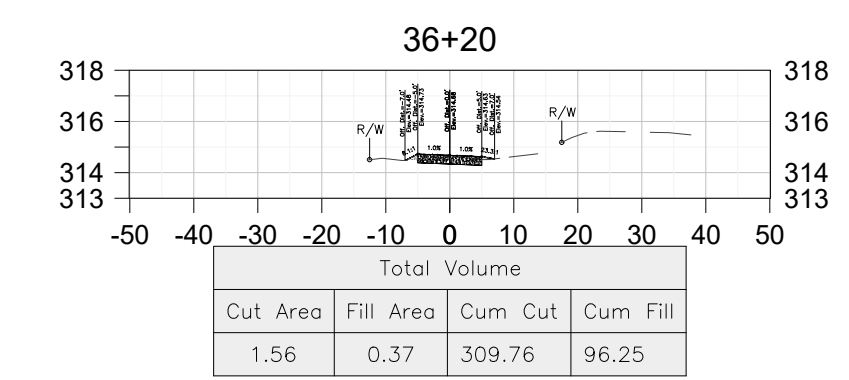
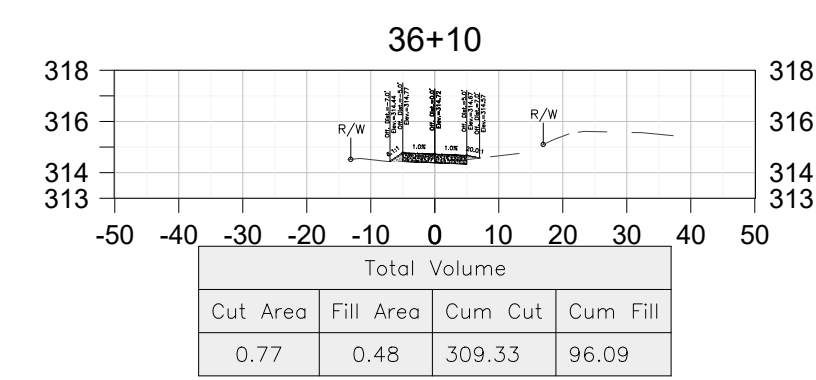
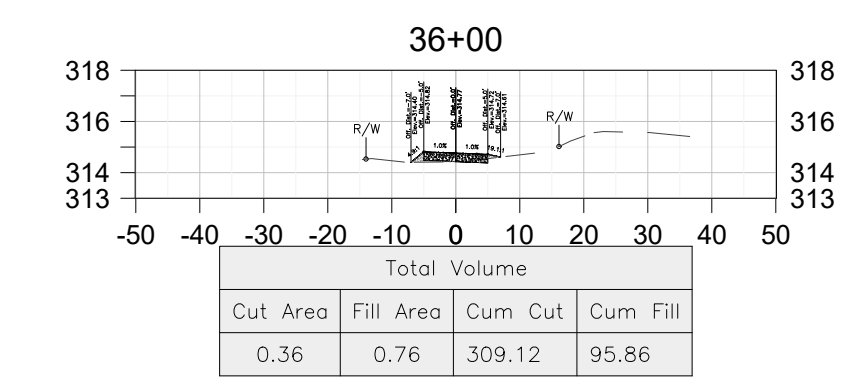
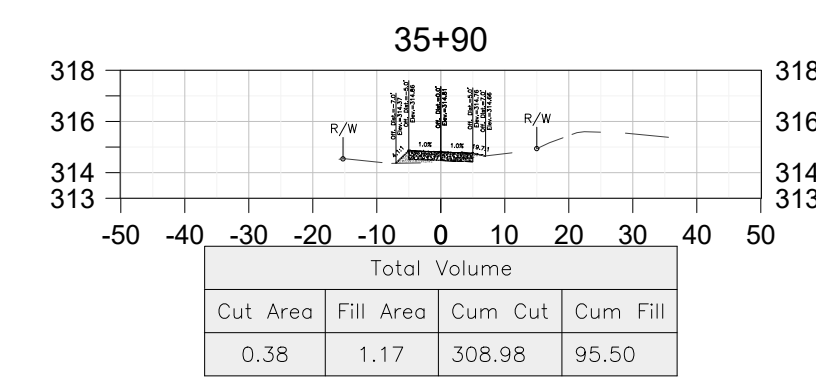
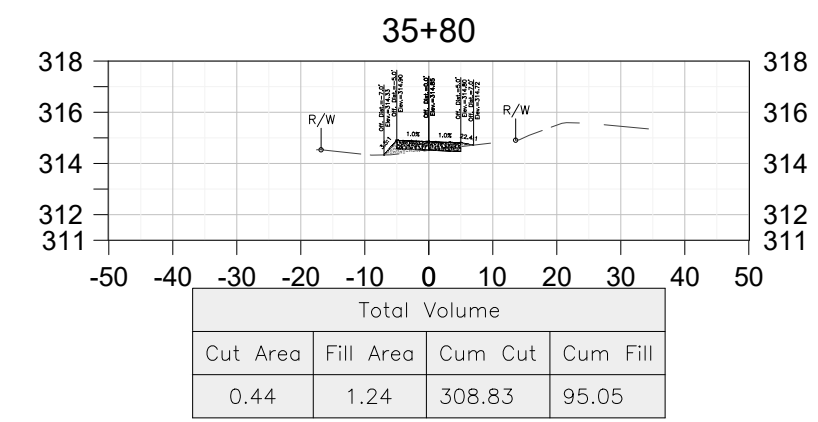


THESE CROSS SECTIONS ARE FOR THE CONTRACTOR'S INFORMATION ONLY. THEY ARE NOT TO BE CONSIDERED TO BE PART OF THE CONTRACT DOCUMENTS AND SHALL HAVE NO BEARING WHATSOEVER ON THE INTERPRETATION OF THE STANDARD SPECIFICATIONS, THE STANDARD PLANS, THE SPECIAL PROVISIONS, NOR SHALL THEY HAVE ANY BEARING WHATSOEVER ON THE INTERPRETATION OF THE OTHER PUBLICATIONS REFERENCED THEREIN.

DESIGNED: D.K.	DATE: ----	RECORD DRAWING		SCALE		PROJECT		DEPARTMENT OF PUBLIC WORKS AND PLANNING	
DRAWN: J.D.	DATE: ----	RESIDENT ENGINEER	DATE	0 30' 60'		FANCHER CREEK TRAIL PROJECT		SECTION VIEW (8)	
CHECKED: D.S.	07/06/2020			SUPERVISING ENGINEER		IMPROVEMENTS			
FOR RIGHT OF WAY DATA AND ACCURATE ACCESS DETERMINATION, SEE DOCUMENTS IN THE DEPARTMENT OF PUBLIC WORKS AND PLANNING.						ROAD NO. N/A		BRIDGE NO. N/A	
								DRAWING NO. 11292 SHEET NO. 8 TOTAL 16	

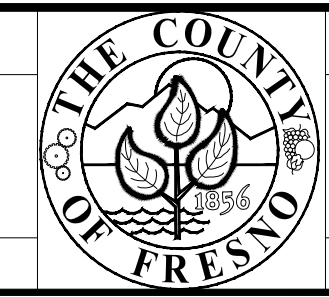


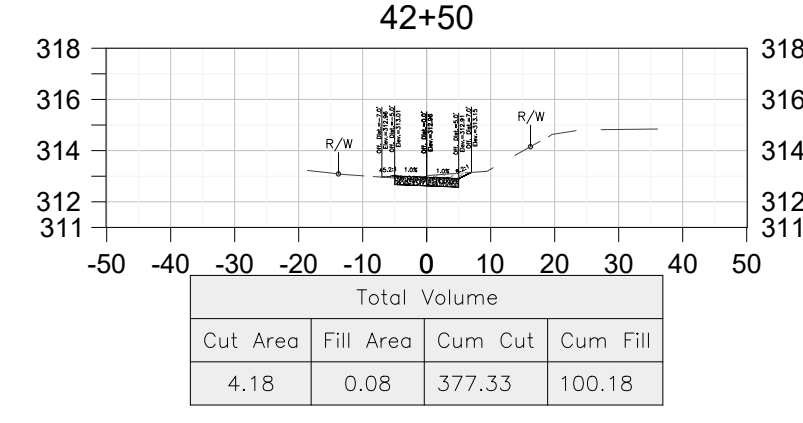
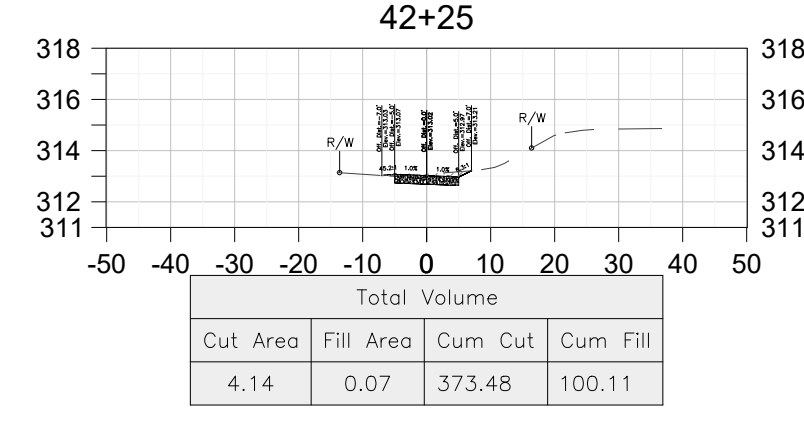
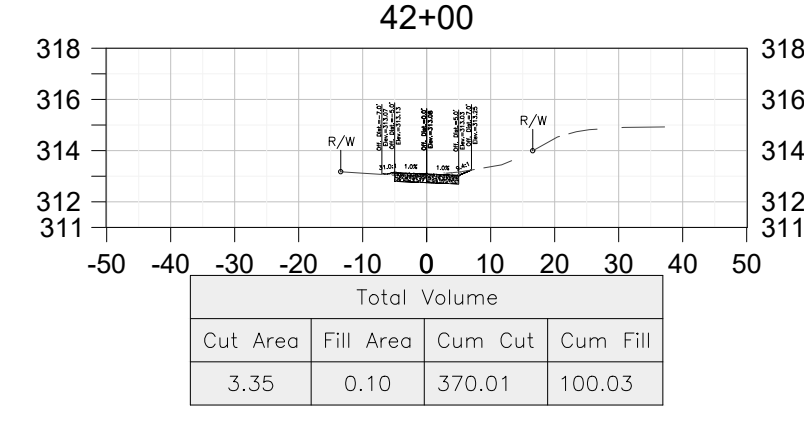
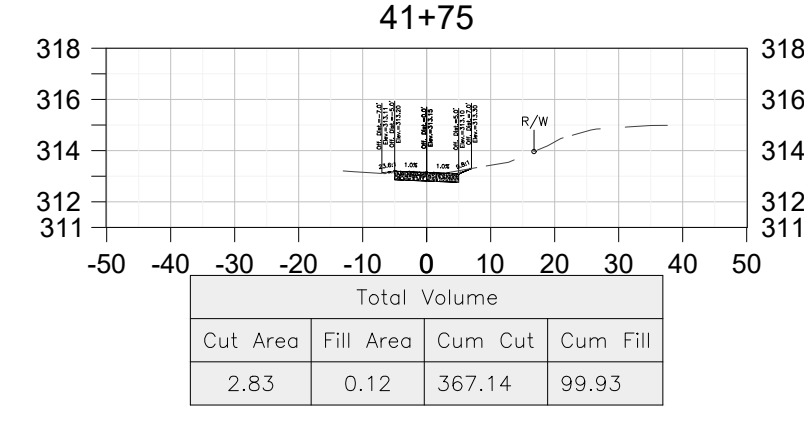
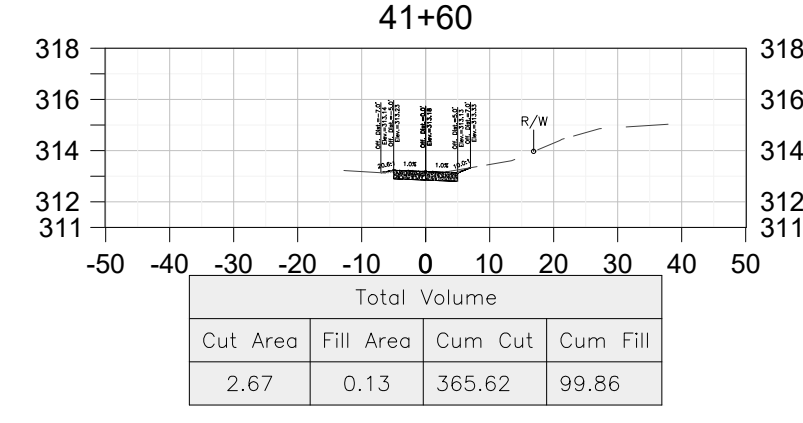
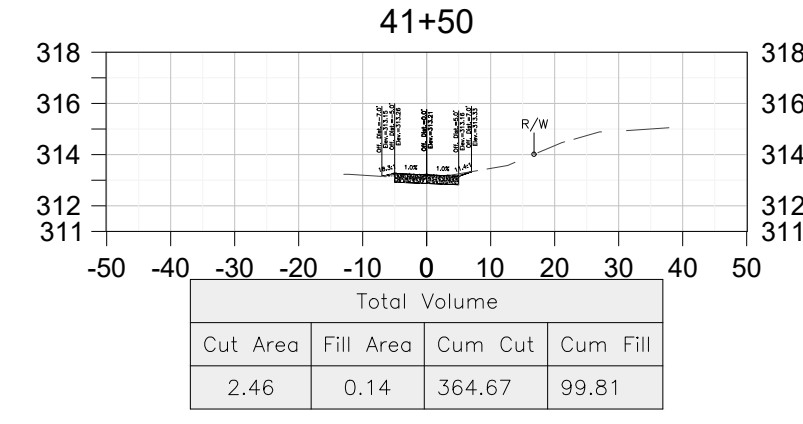
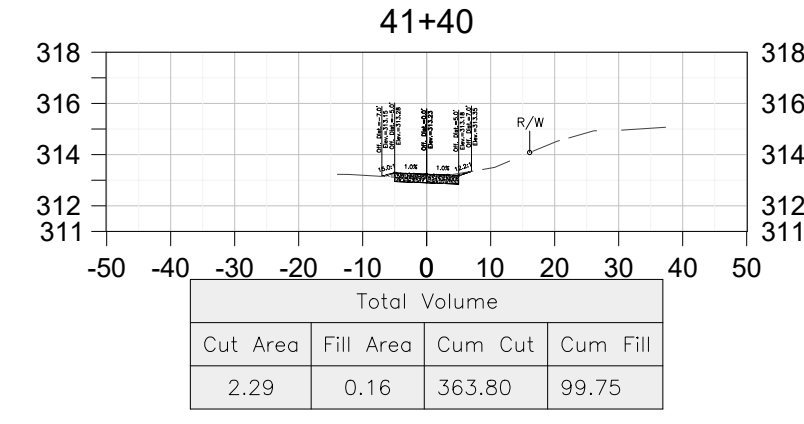
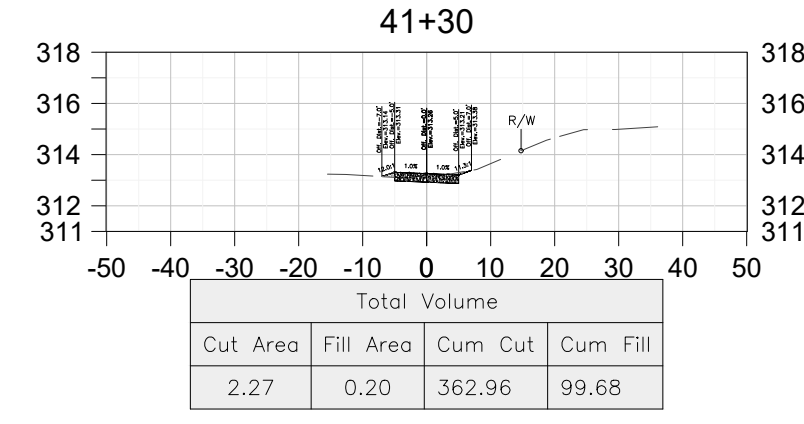
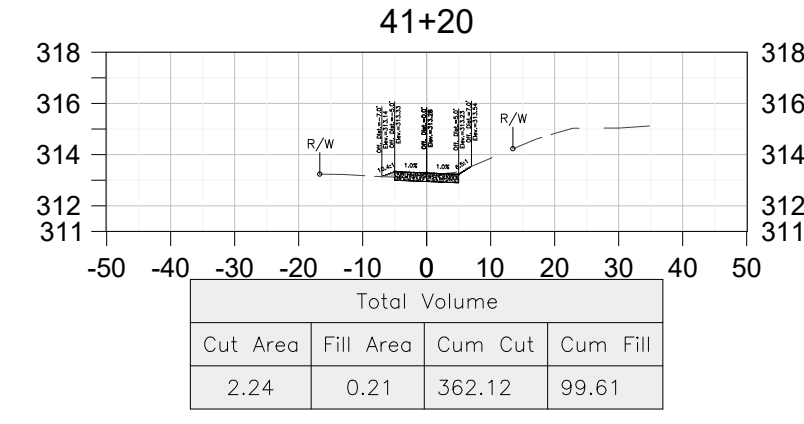
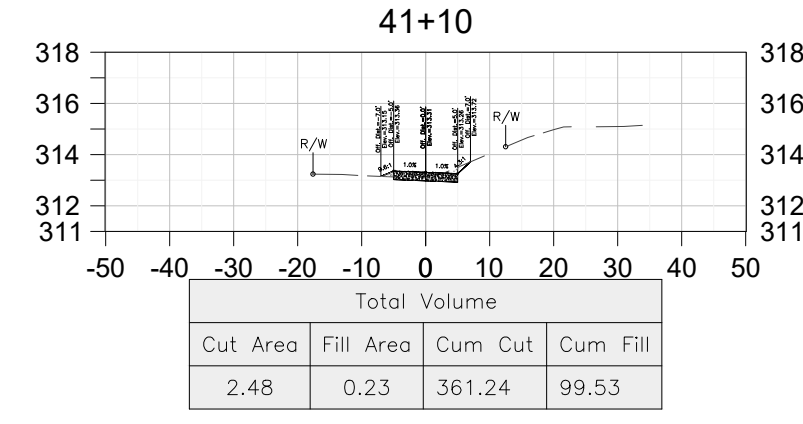
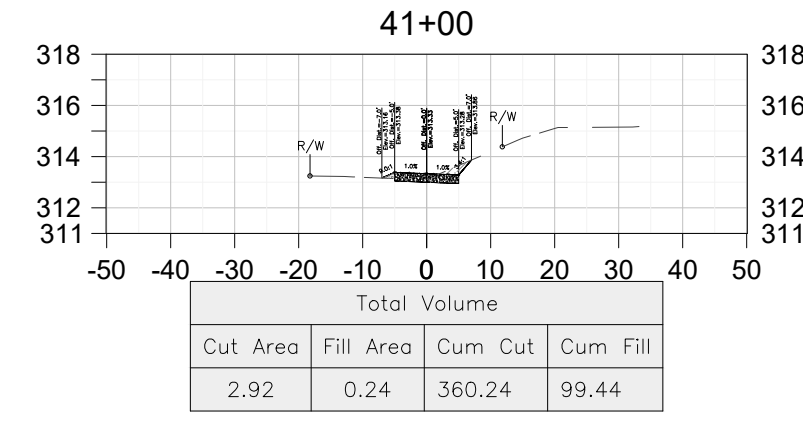
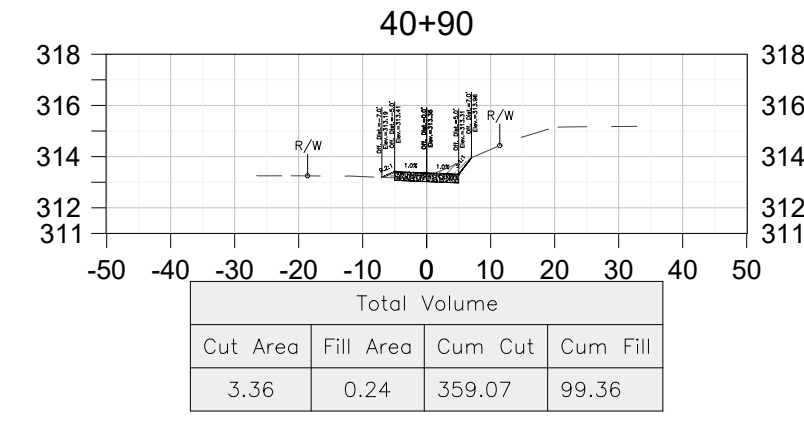
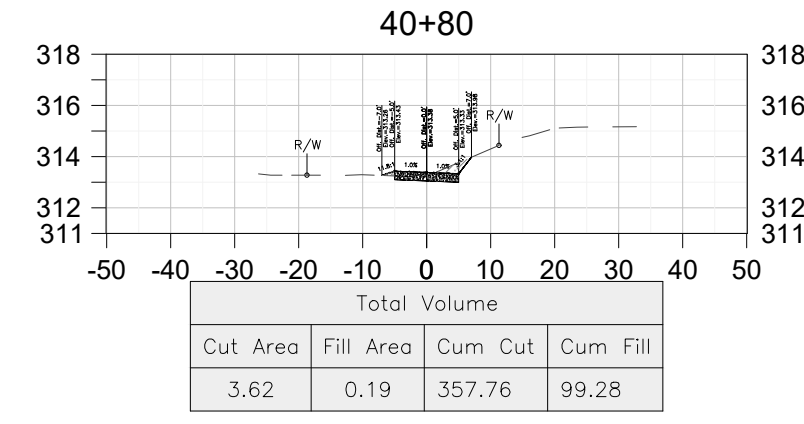
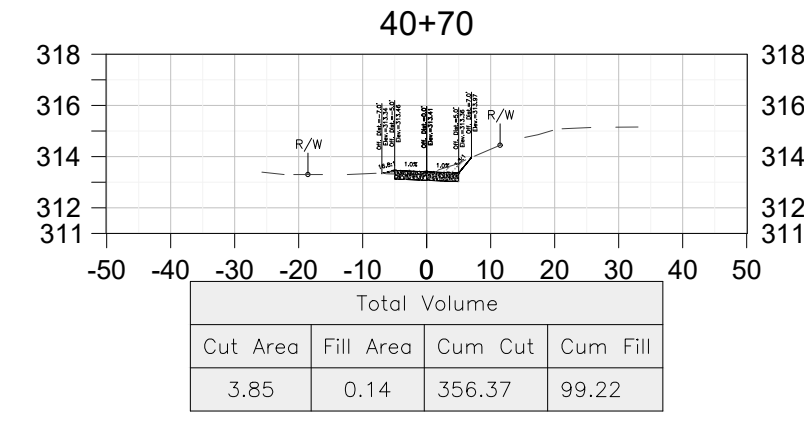
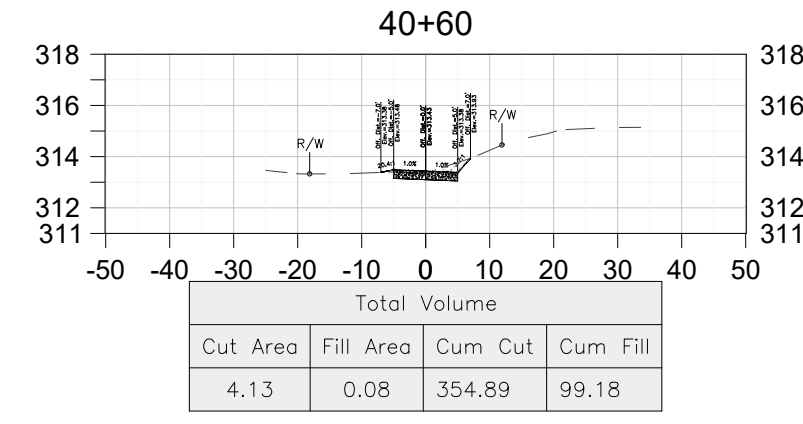
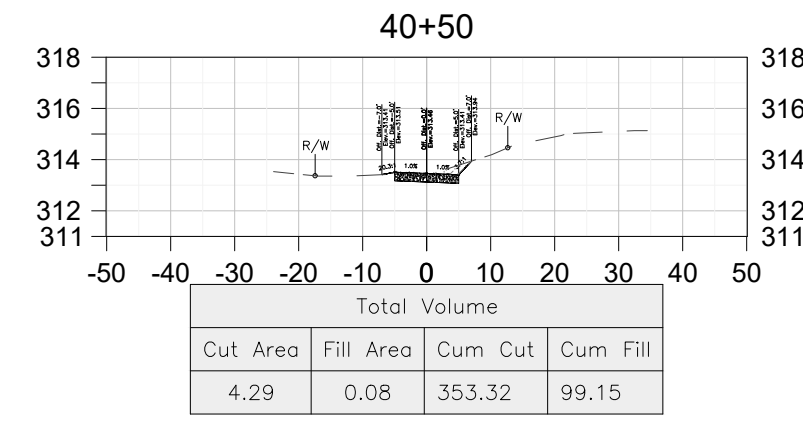
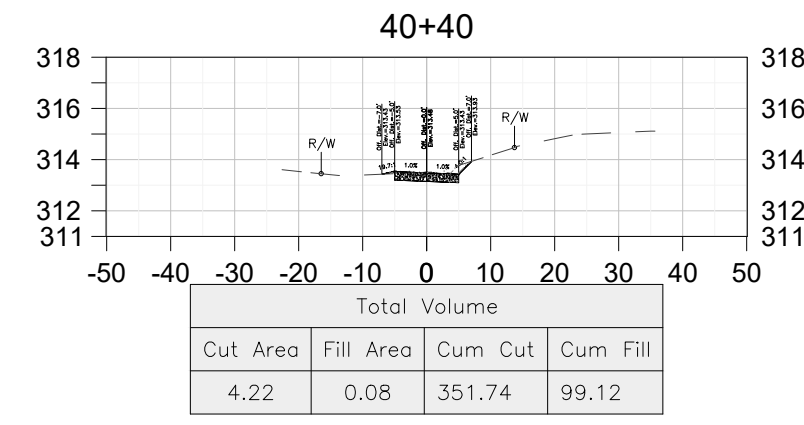
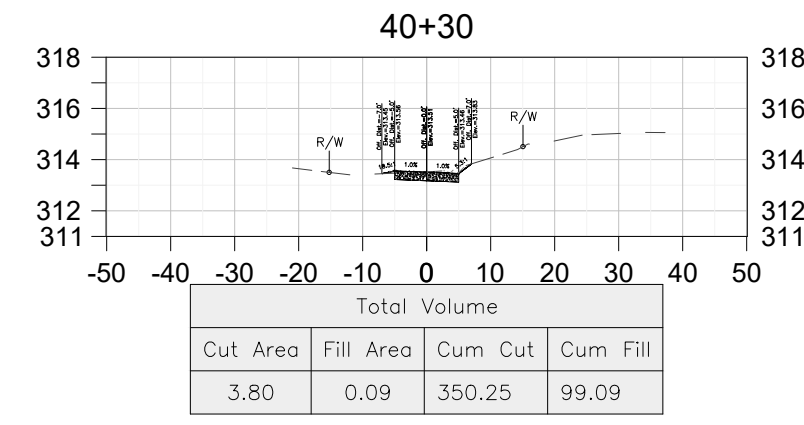
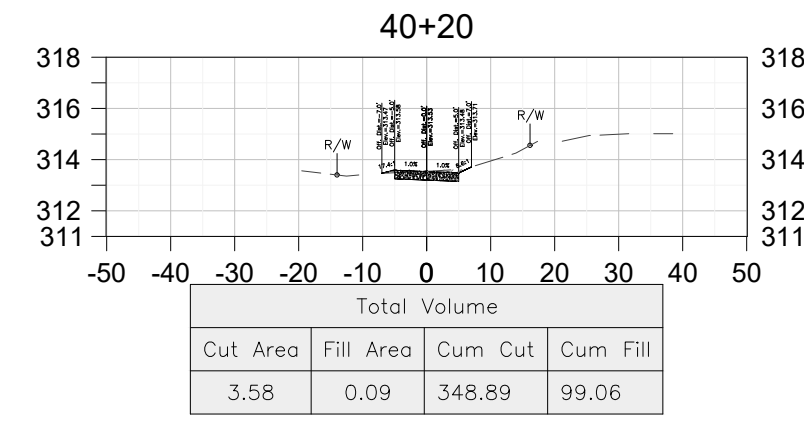
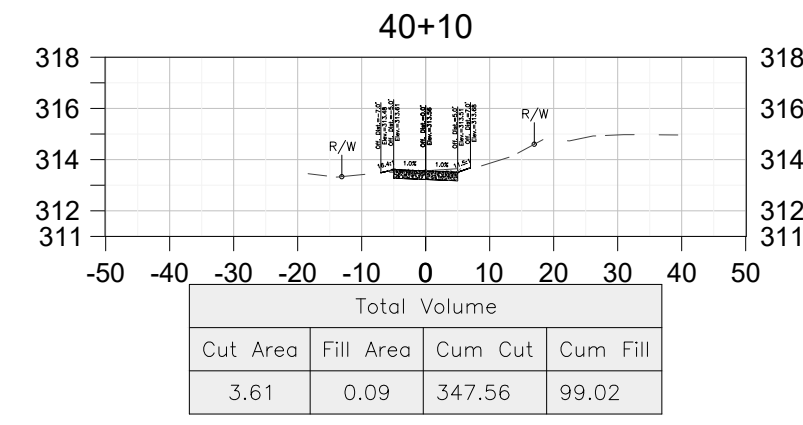
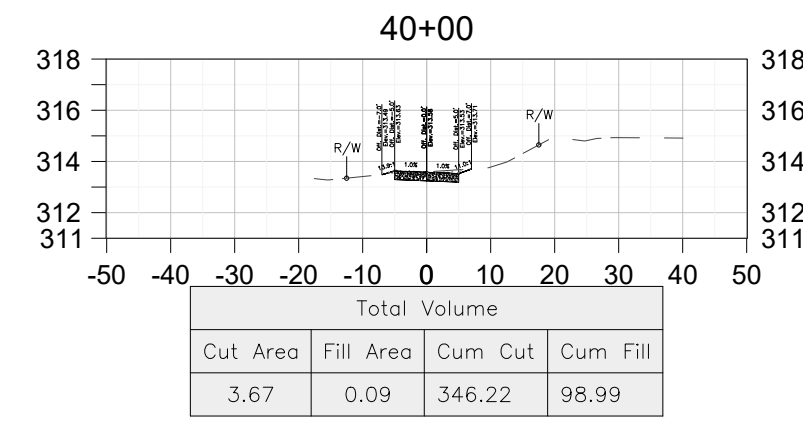
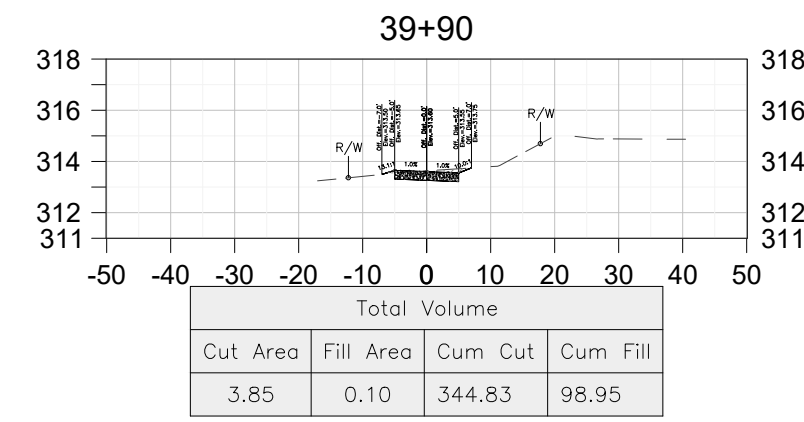
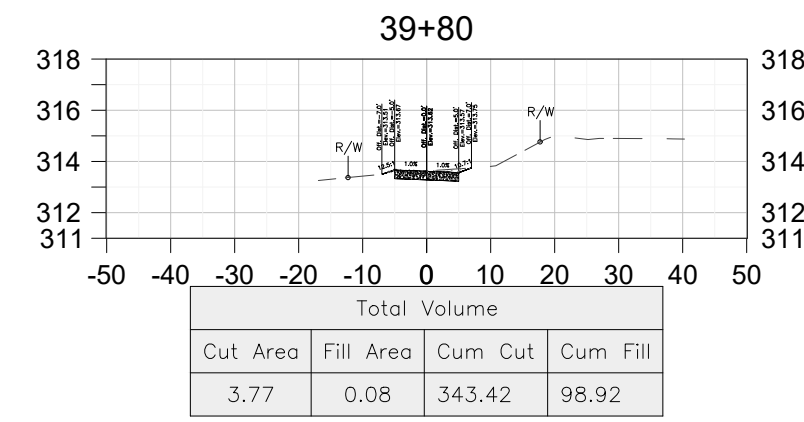
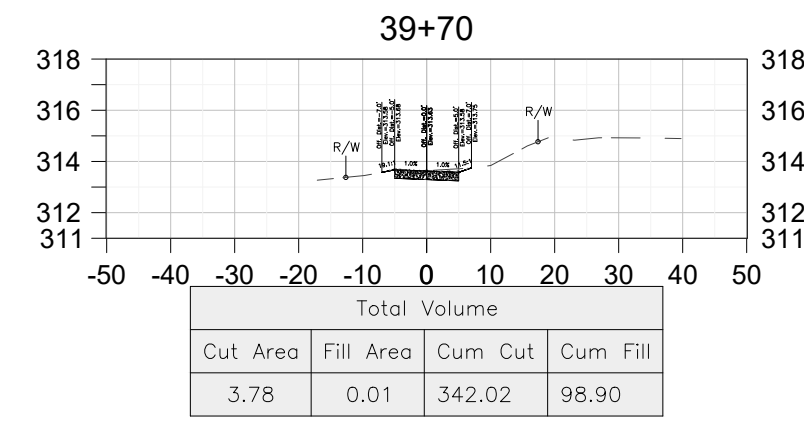
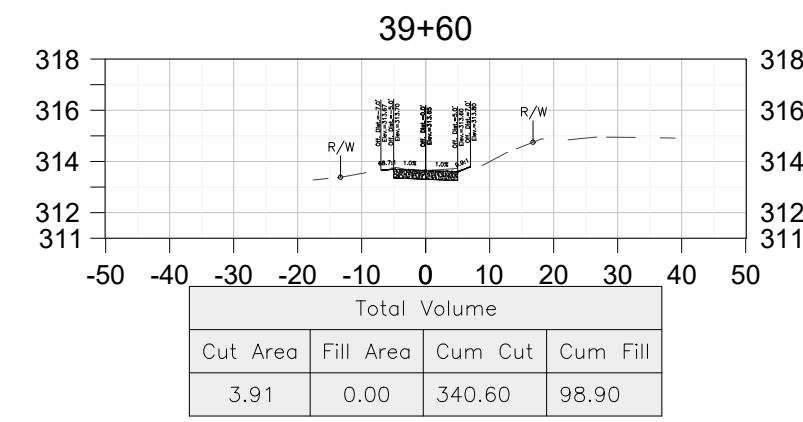
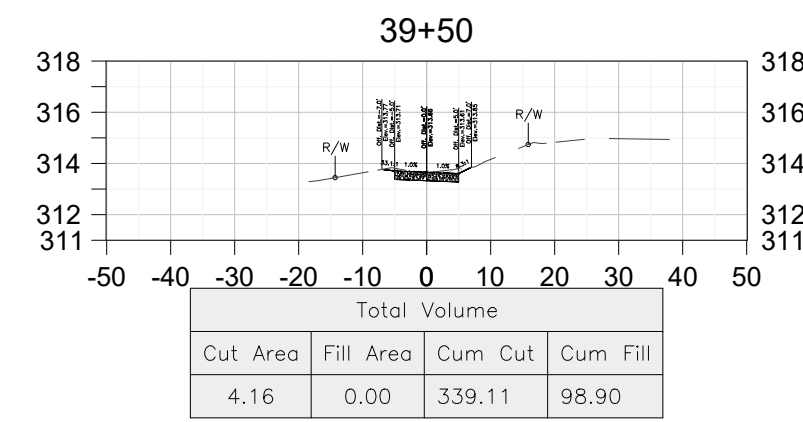
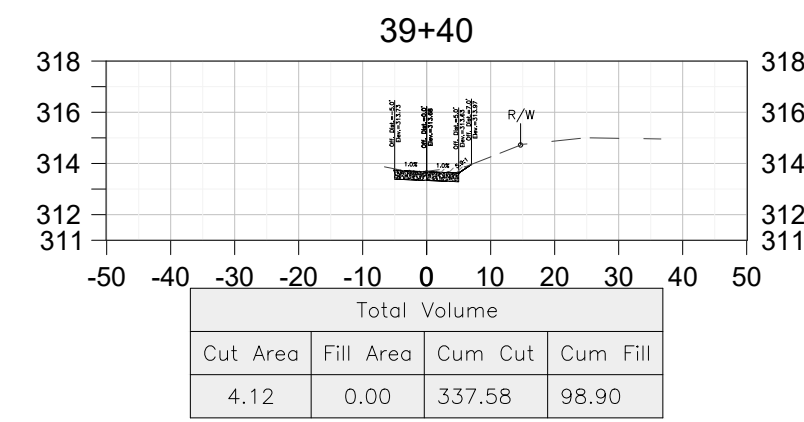
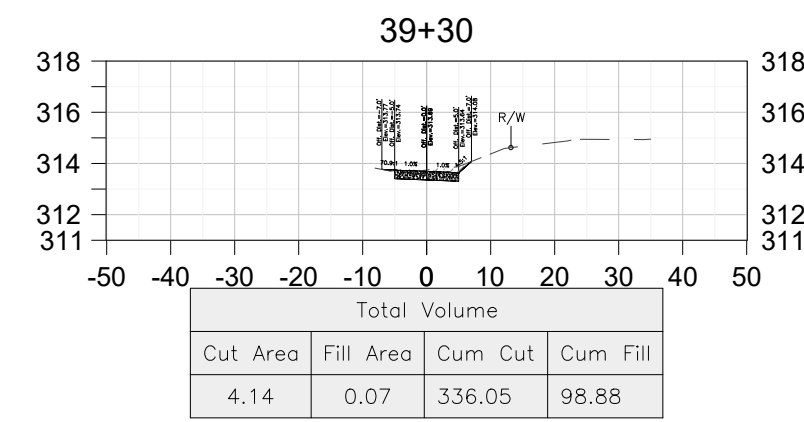
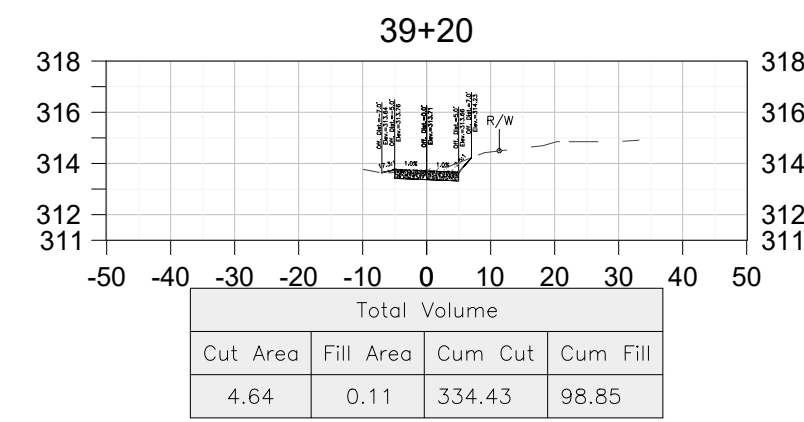
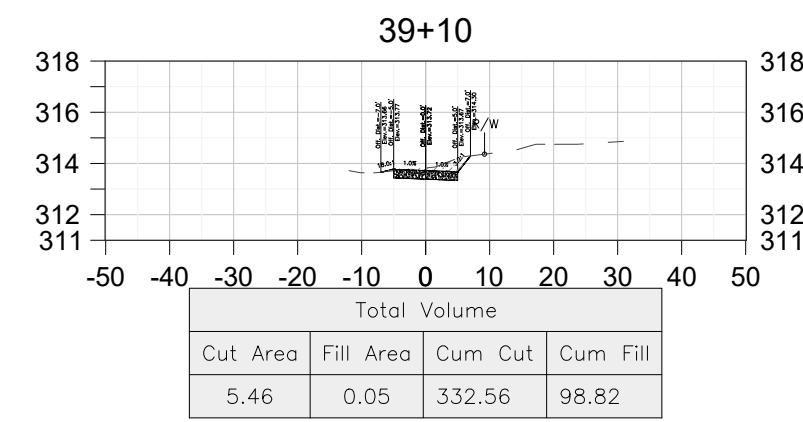




THESE CROSS SECTIONS ARE FOR THE CONTRACTOR'S INFORMATION ONLY. THEY ARE NOT TO BE CONSIDERED TO BE PART OF THE CONTRACT DOCUMENTS AND SHALL HAVE NO BEARING WHATSOEVER ON THE INTERPRETATION OF THE STANDARD SPECIFICATIONS, THE STANDARD PLANS, THE SPECIAL PROVISIONS, NOR SHALL THEY HAVE ANY BEARING WHATSOEVER ON THE INTERPRETATION OF THE OTHER PUBLICATIONS REFERENCED THEREIN.

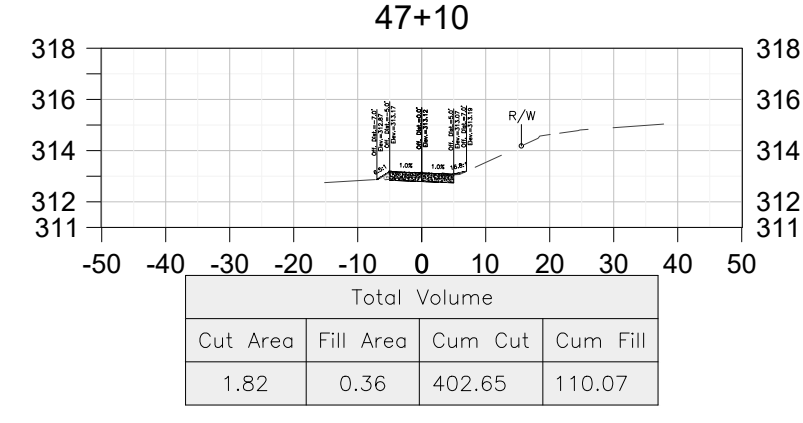
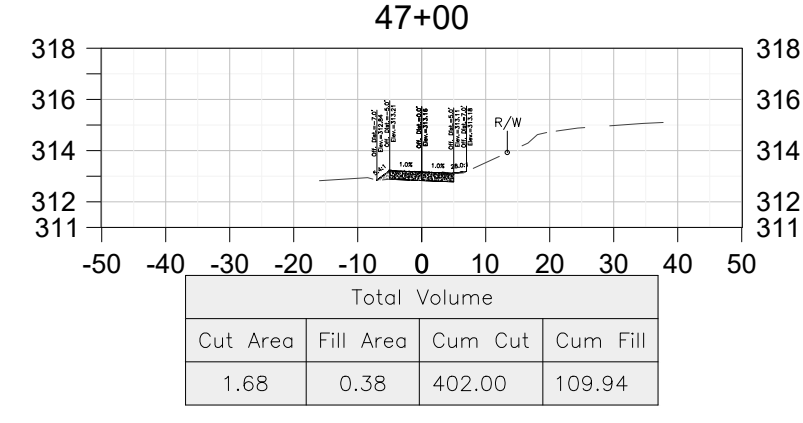
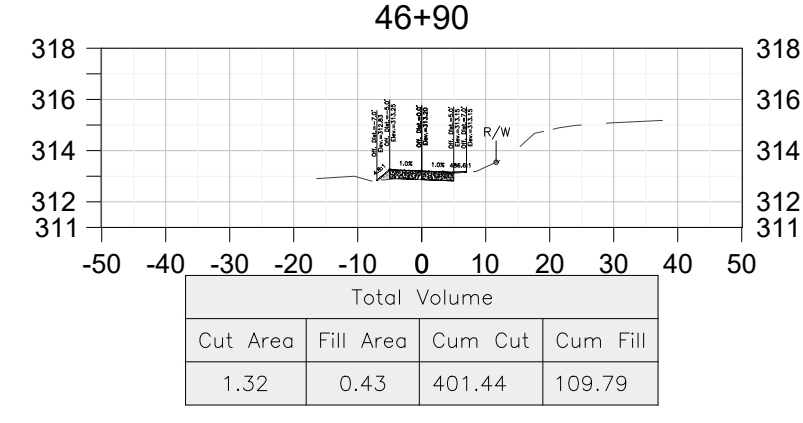
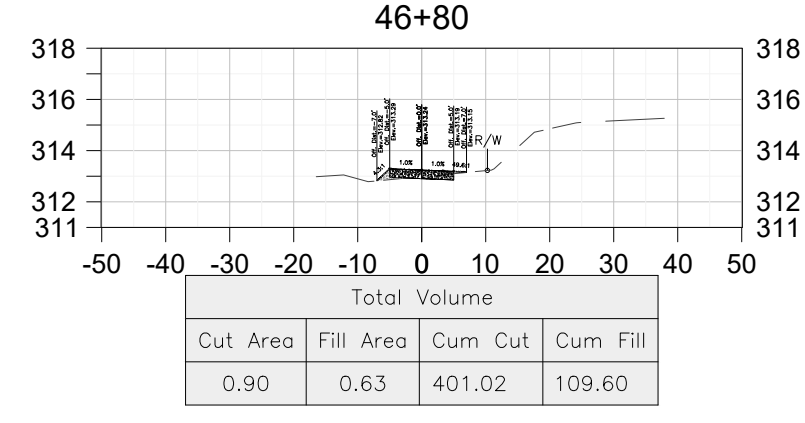
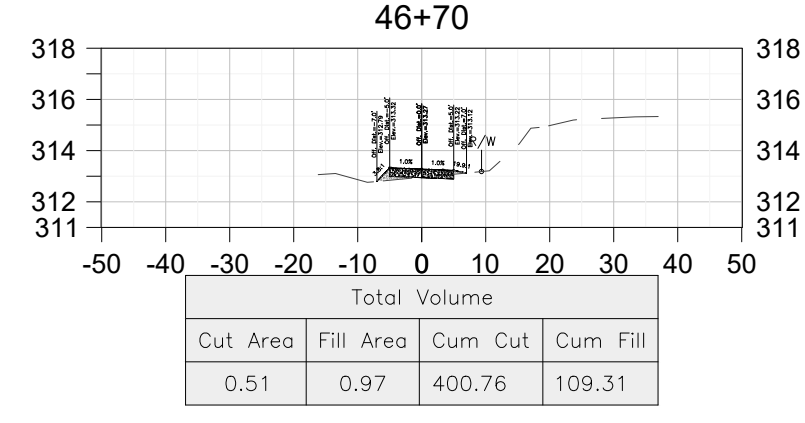
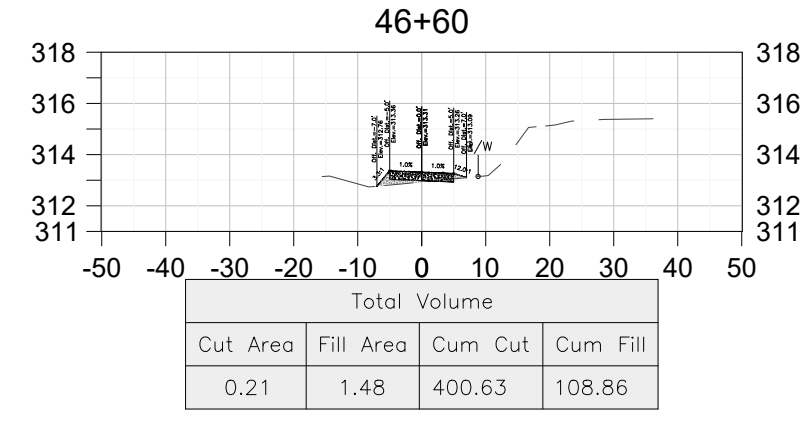
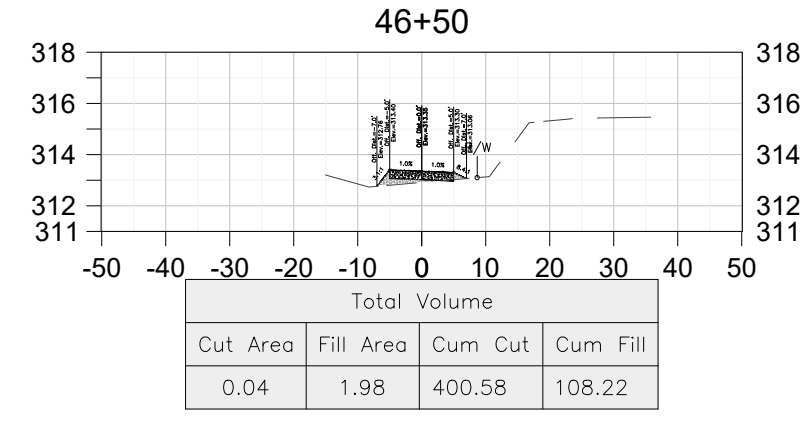
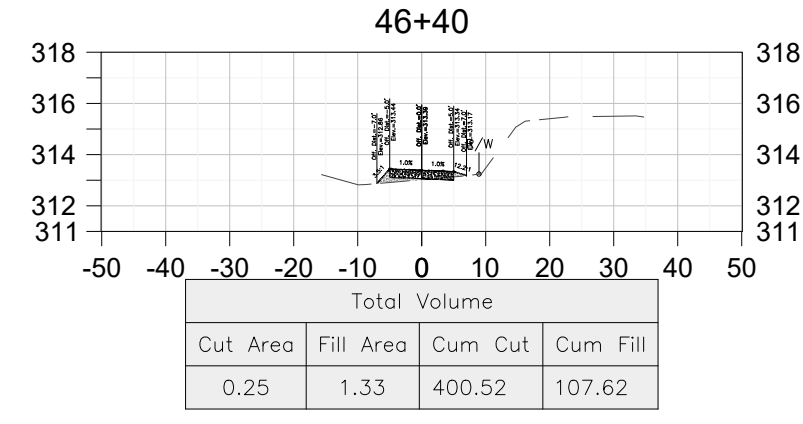
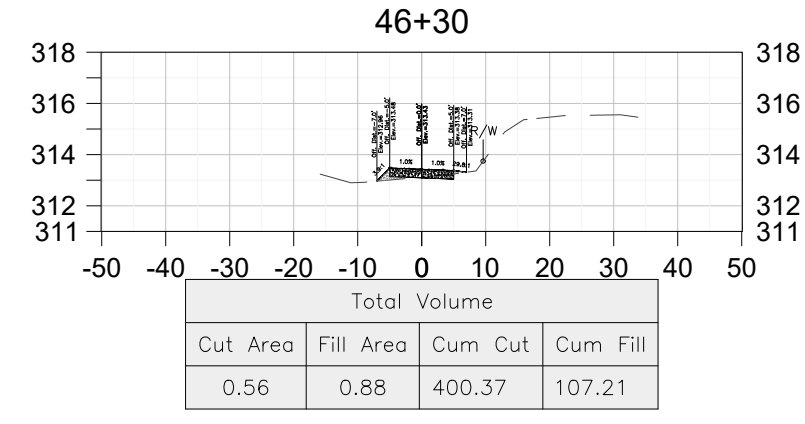
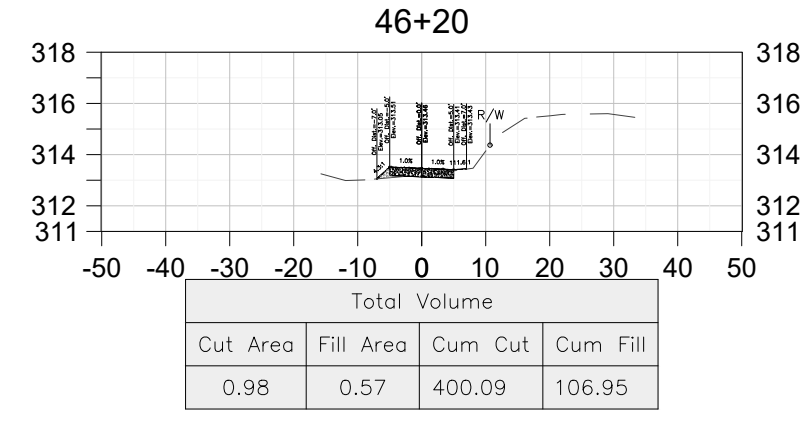
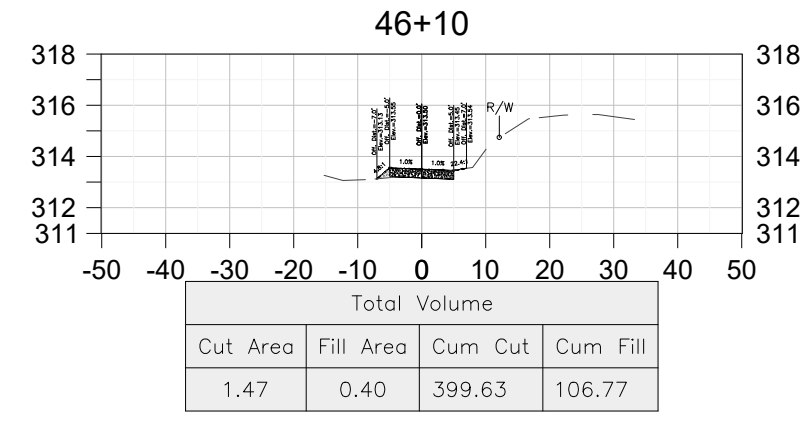
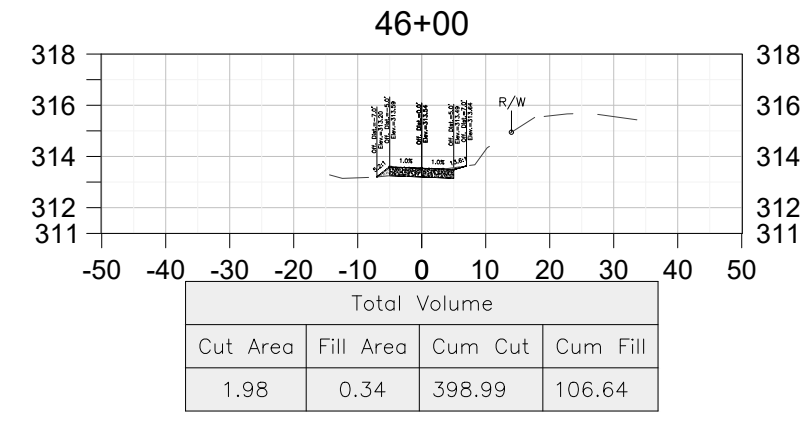
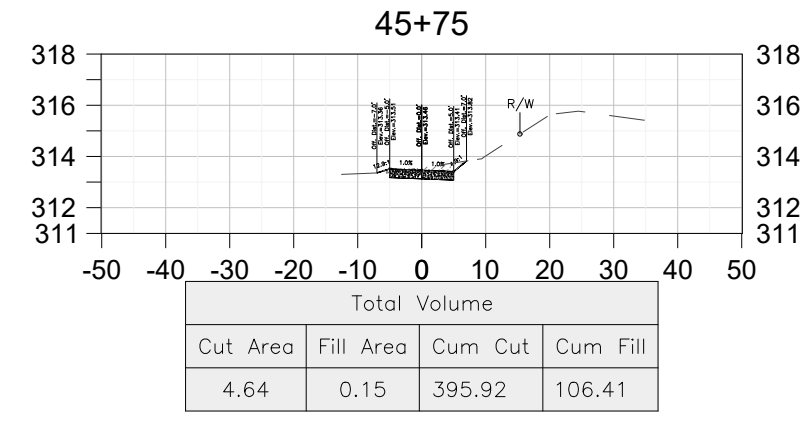
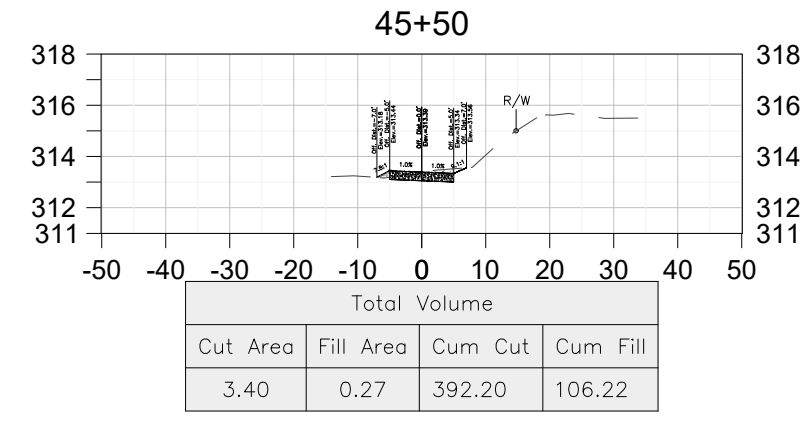
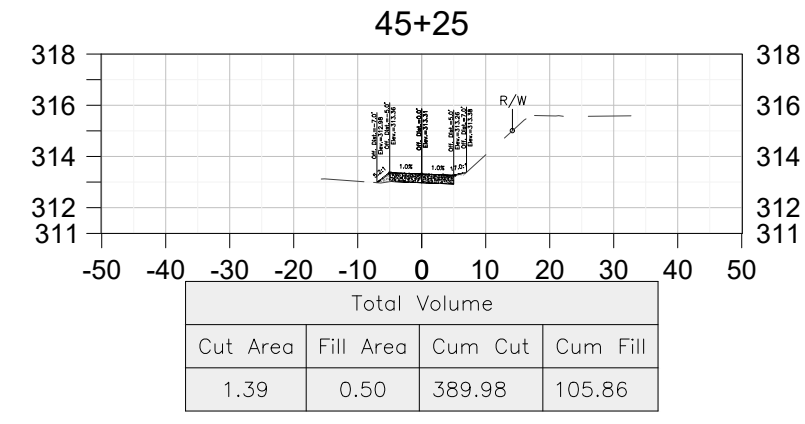
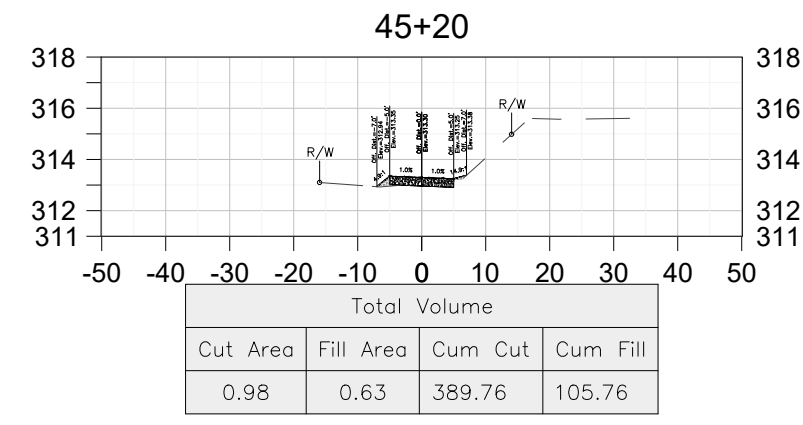
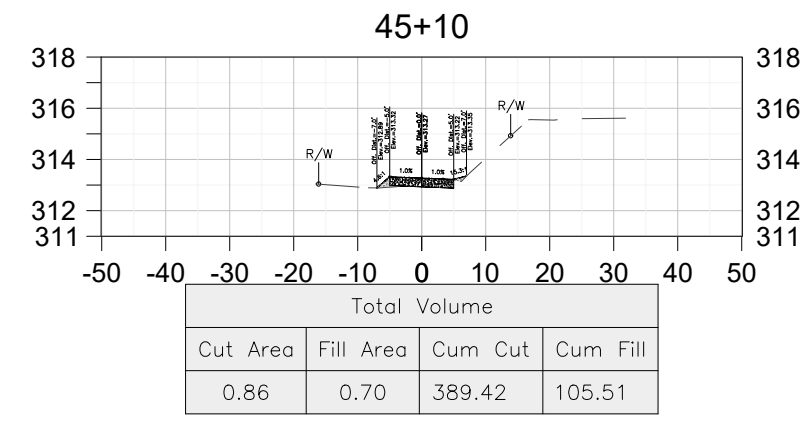
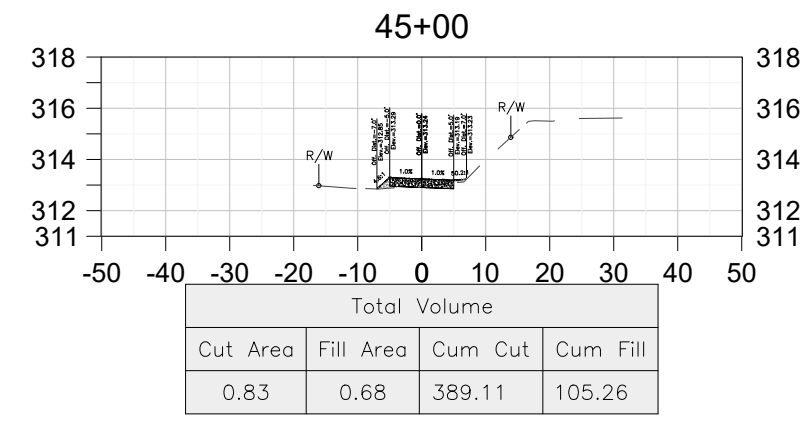
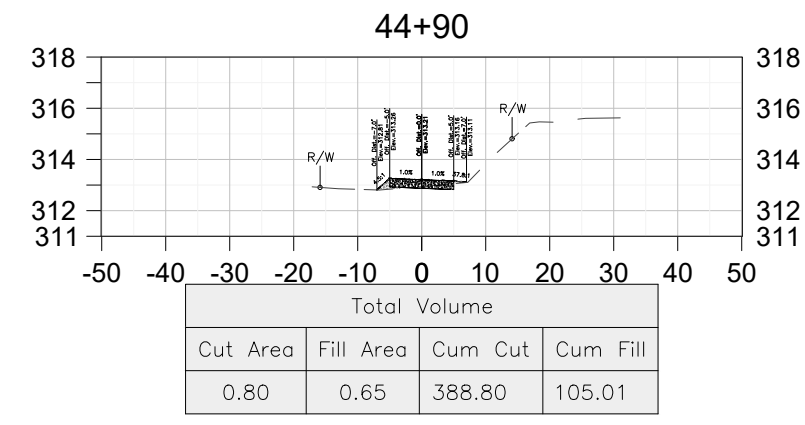
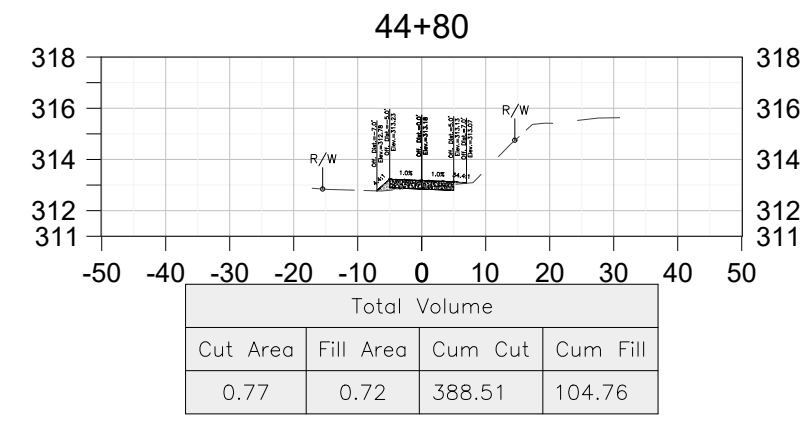
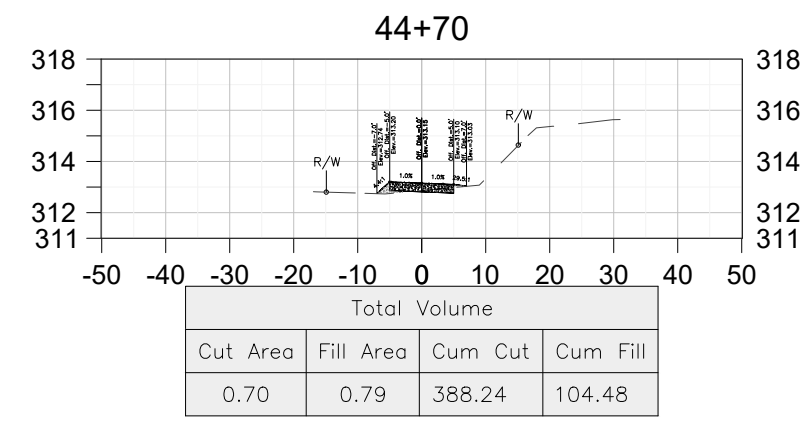
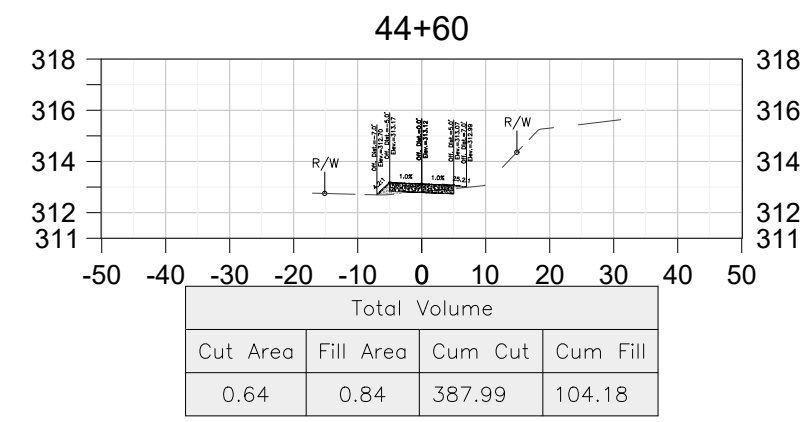
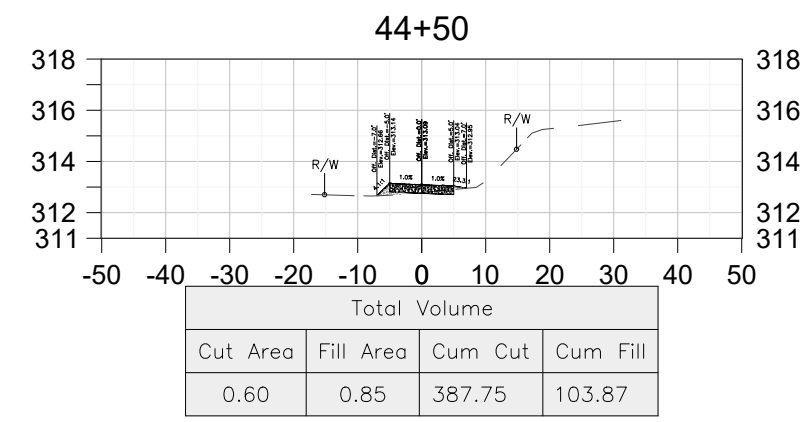
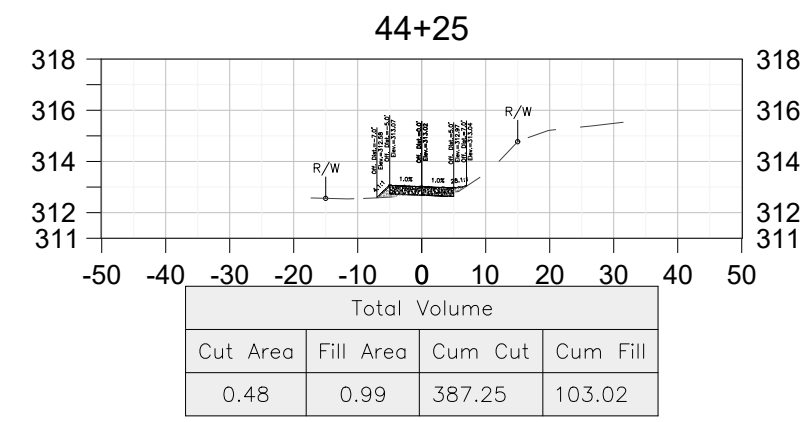
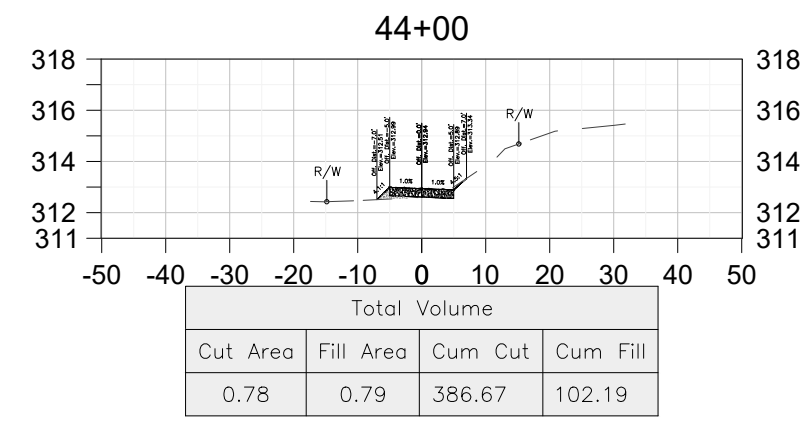
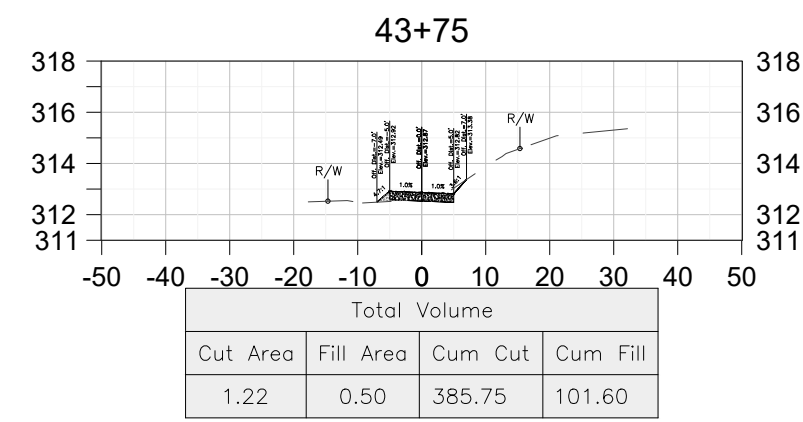
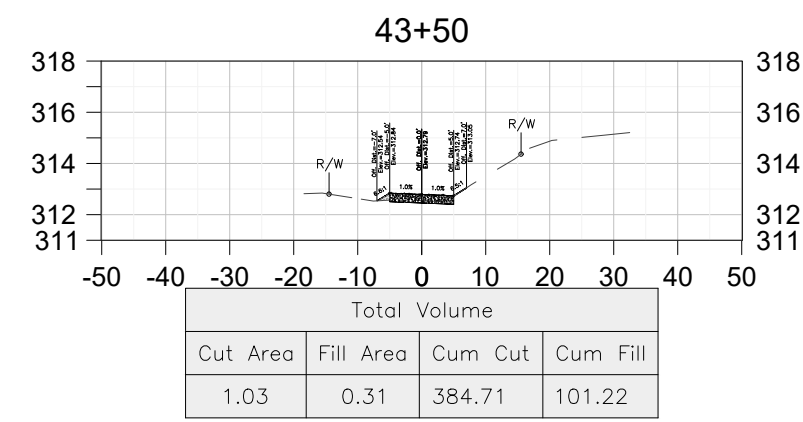
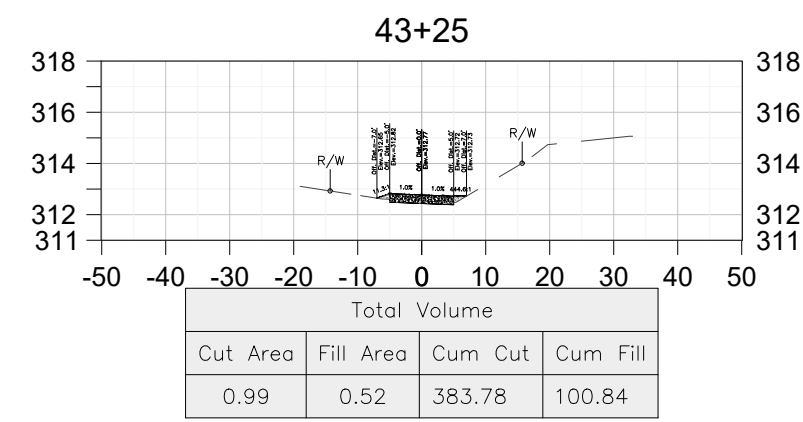
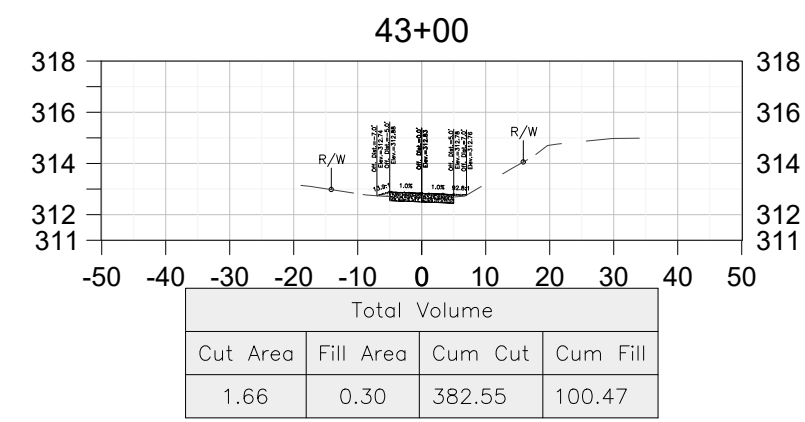
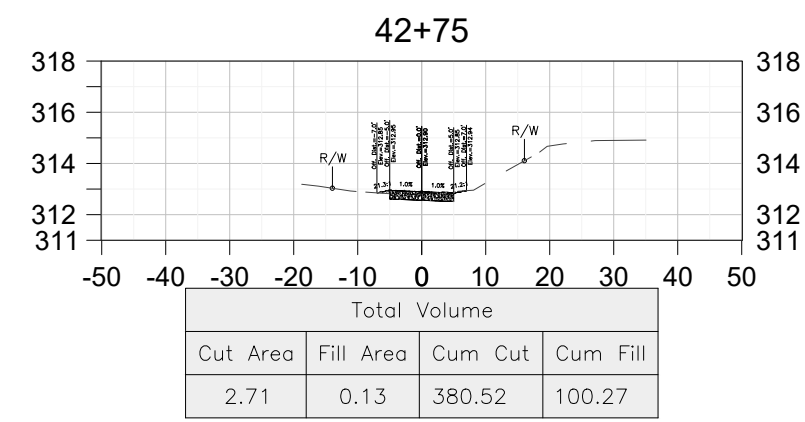
DESIGNED: D.K.	DATE: ----	RECORD DRAWING		SCALE		PROJECT		DEPARTMENT OF PUBLIC WORKS AND PLANNING	
DRAWN: J.D.	DATE: ----	RESIDENT ENGINEER	DATE	0 30' 60'		FANCHER CREEK TRAIL PROJECT		SECTION VIEW (9)	
CHECKED: D.S.	07/06/2020			SUPERVISING ENGINEER		IMPROVEMENTS			
FOR RIGHT OF WAY DATA AND ACCURATE ACCESS DETERMINATION, SEE DOCUMENTS IN THE DEPARTMENT OF PUBLIC WORKS AND PLANNING.						ROAD NO. N/A		BRIDGE NO. N/A	
								DRAWING NO. 11292 SHEET NO. 9 TOTAL 16	





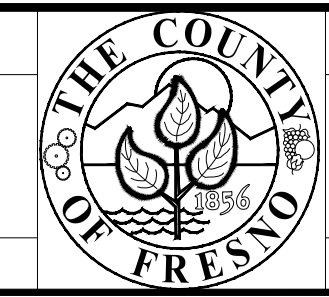
THESE CROSS SECTIONS ARE FOR THE CONTRACTOR'S INFORMATION ONLY. THEY ARE NOT TO BE CONSIDERED TO BE PART OF THE CONTRACT DOCUMENTS AND SHALL HAVE NO BEARING WHATSOEVER ON THE INTERPRETATION OF THE STANDARD SPECIFICATIONS, THE STANDARD PLANS, THE SPECIAL PROVISIONS, NOR SHALL THEY HAVE ANY BEARING WHATSOEVER ON THE INTERPRETATION OF THE OTHER PUBLICATIONS REFERENCED THEREIN.

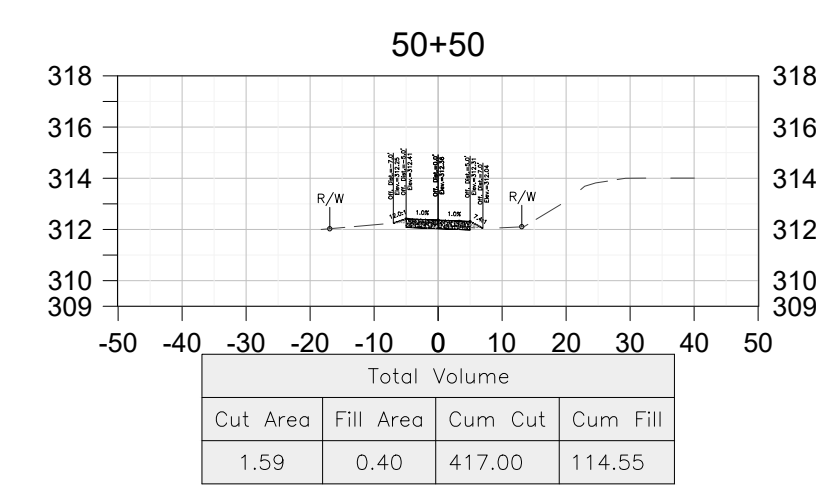
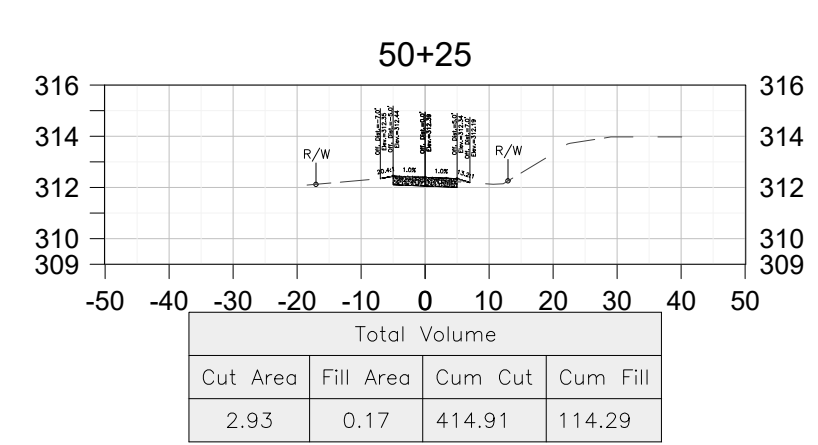
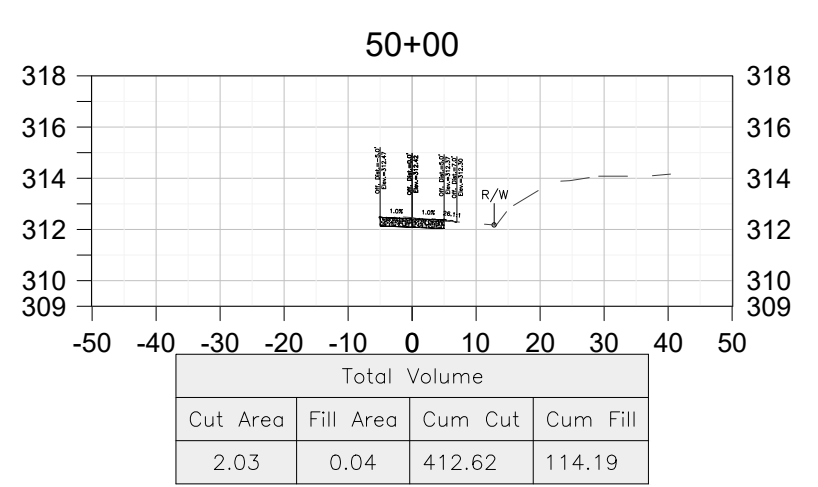
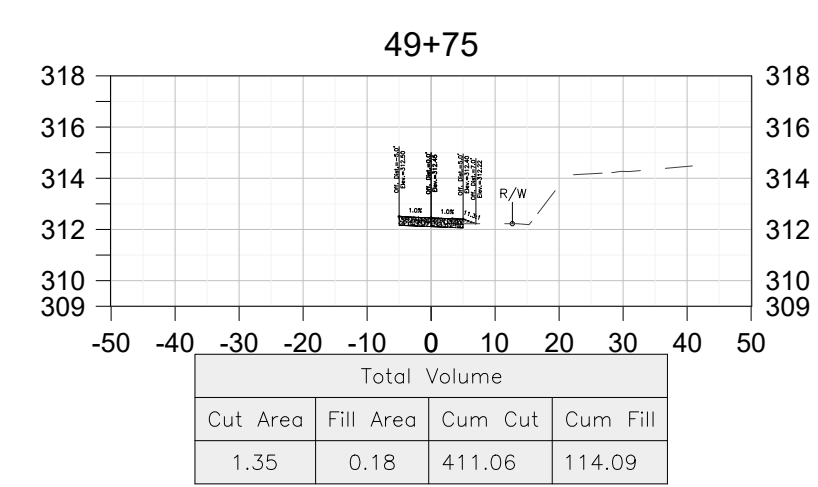
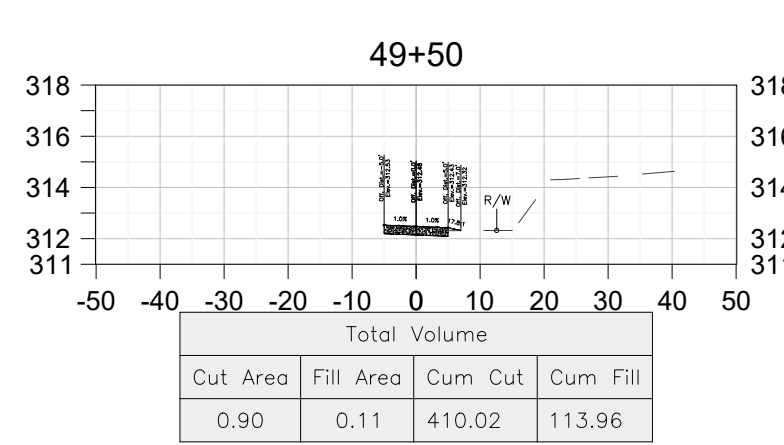
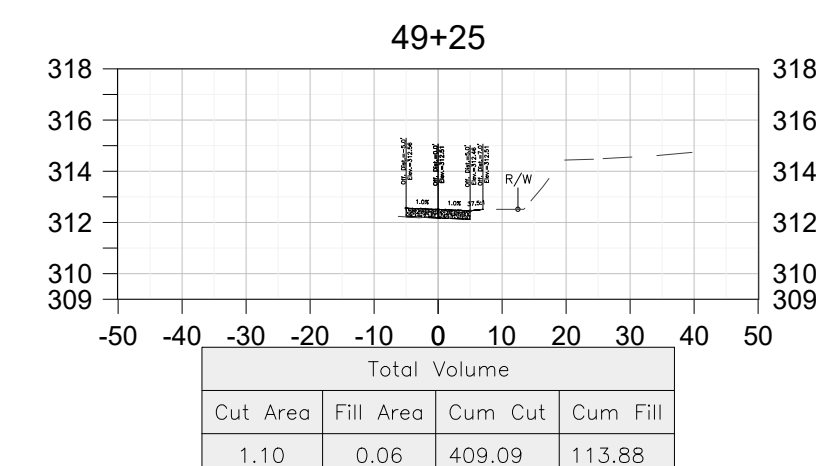
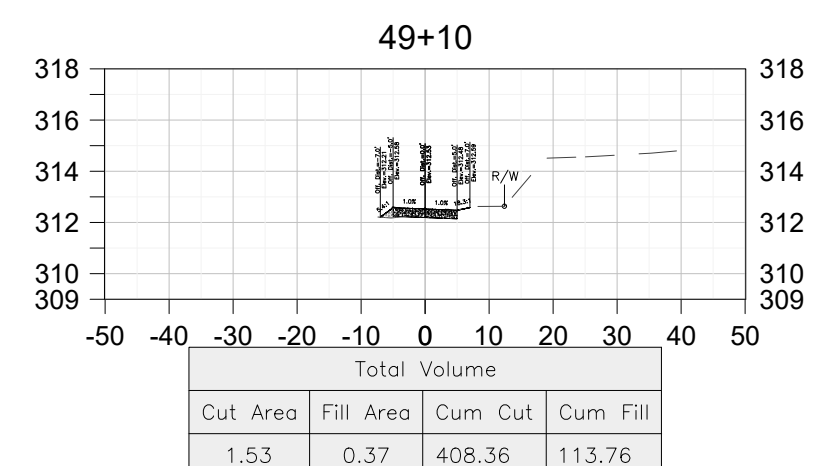
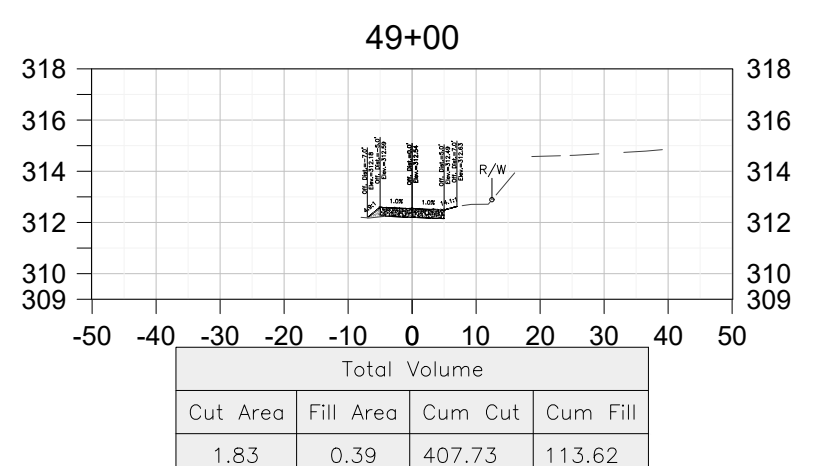
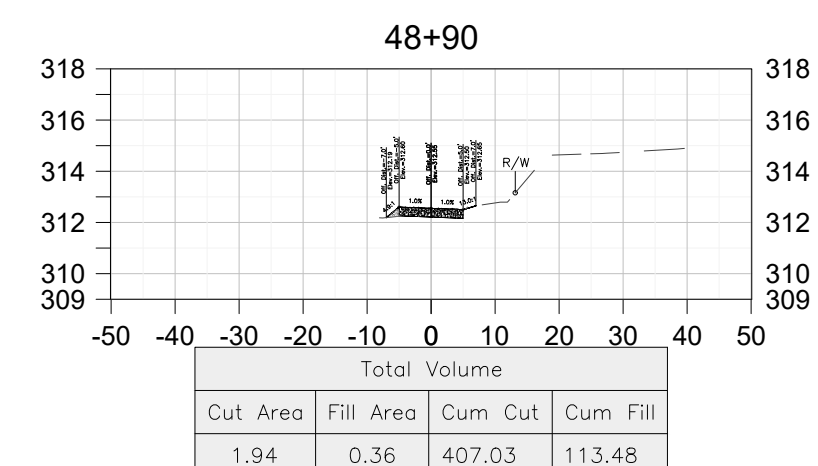
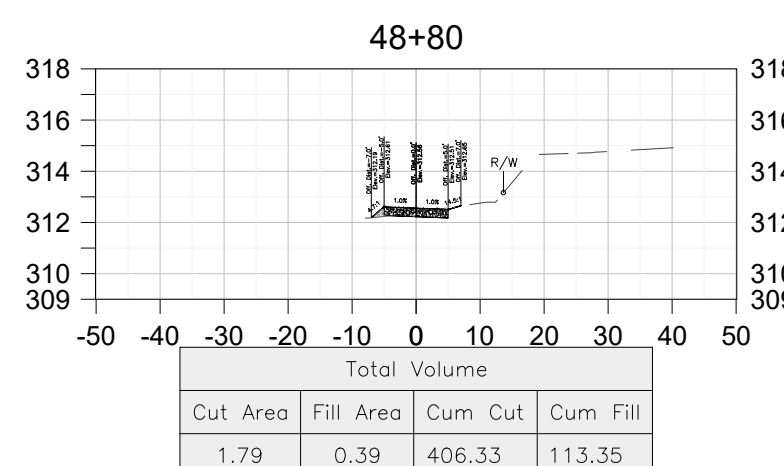
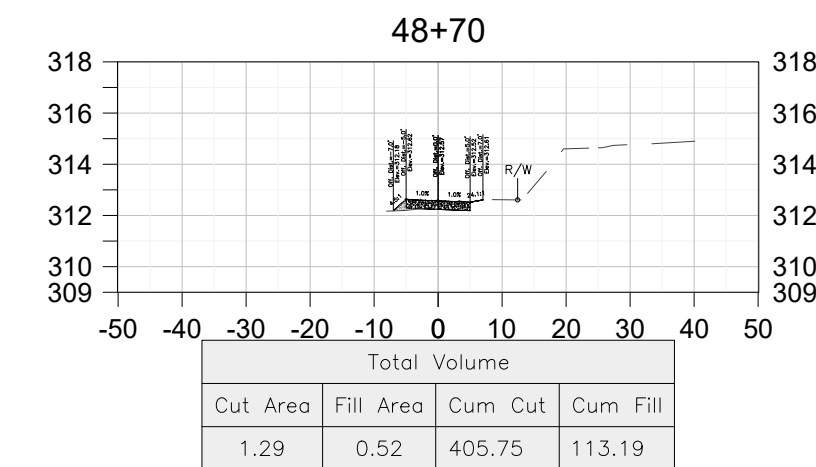
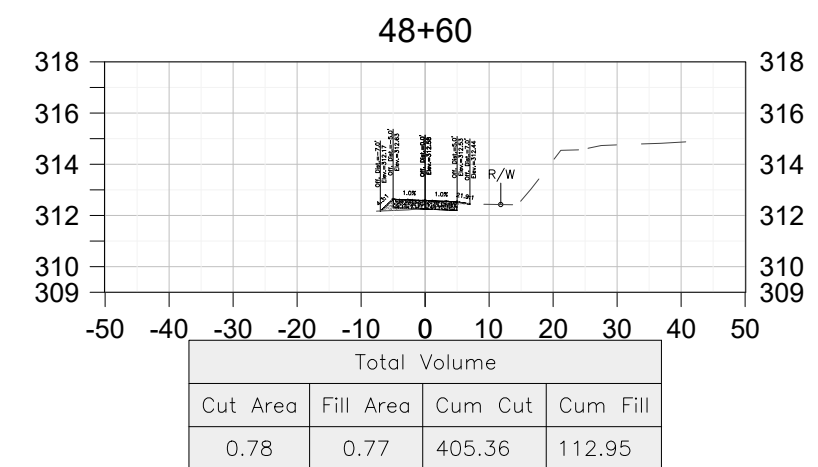
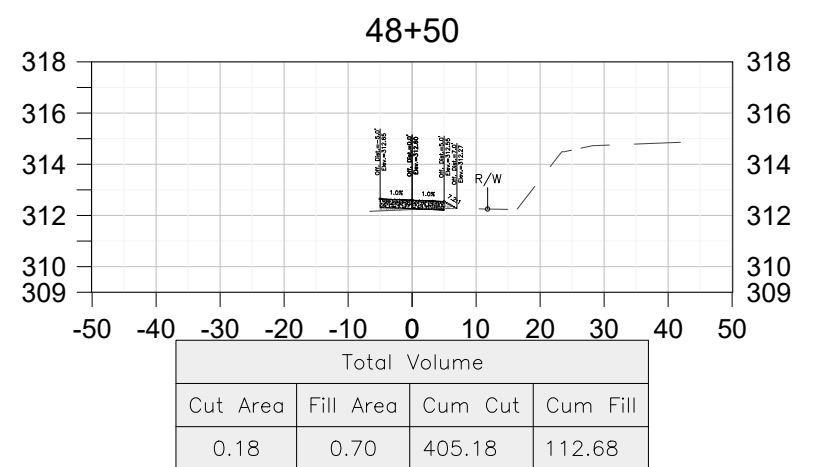
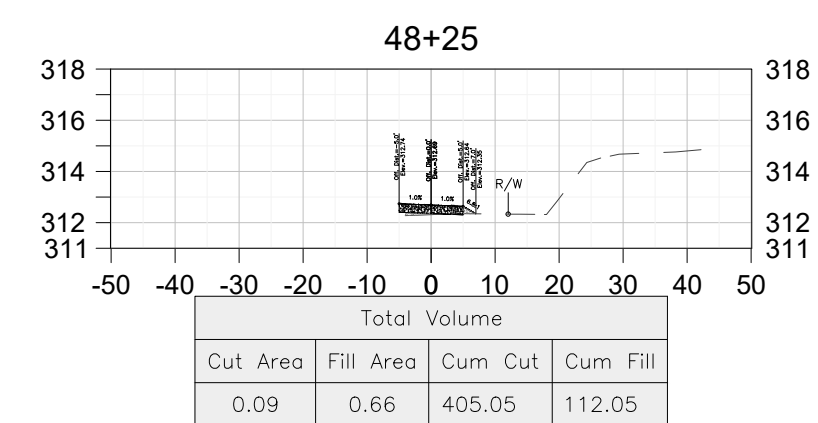
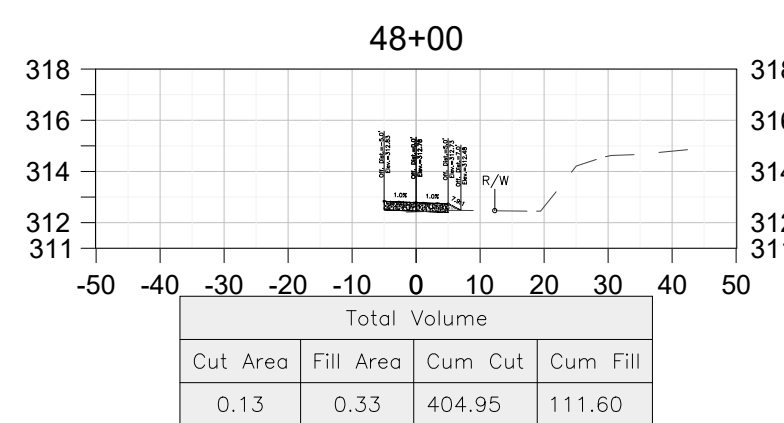
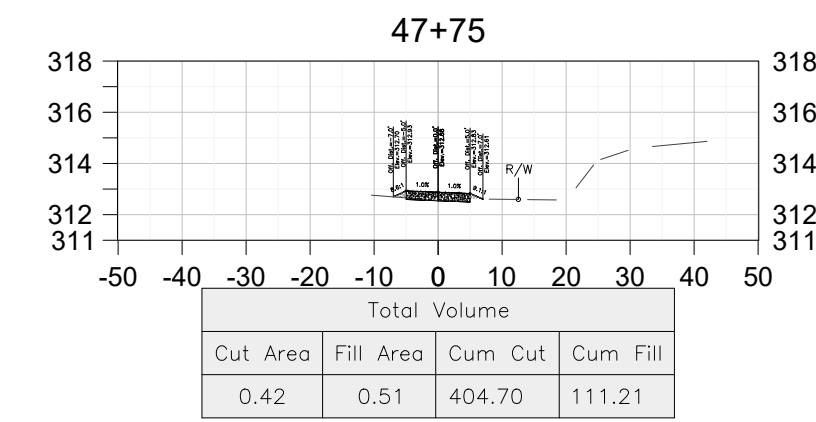
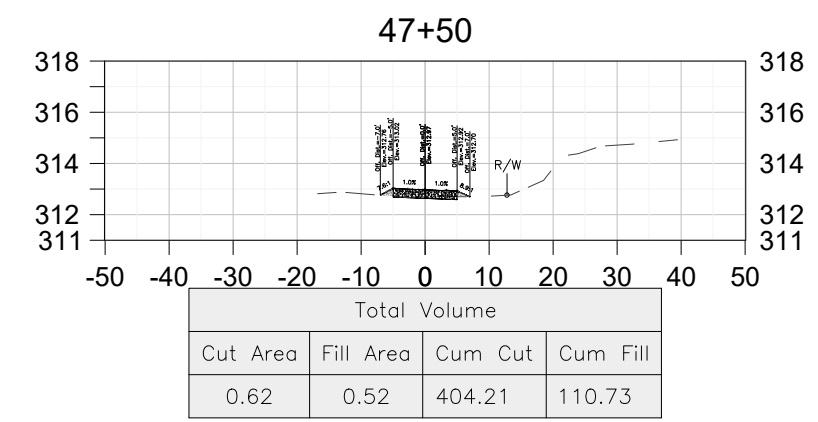
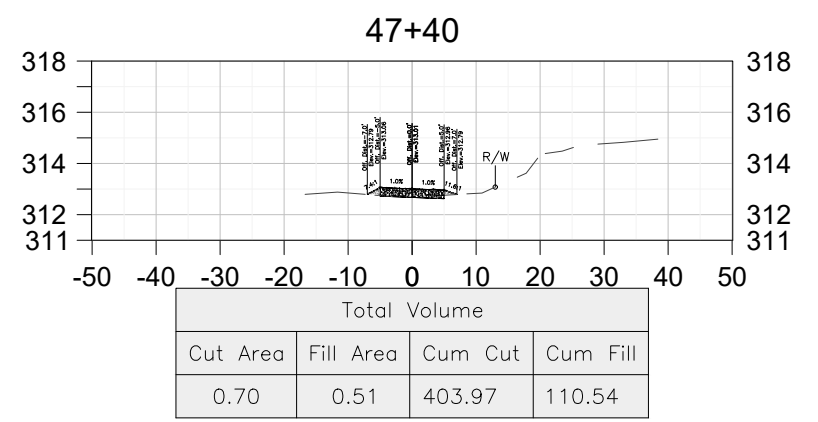
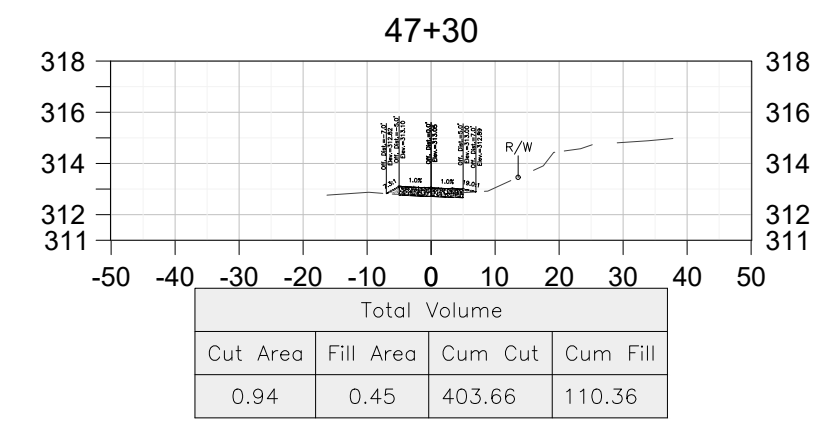
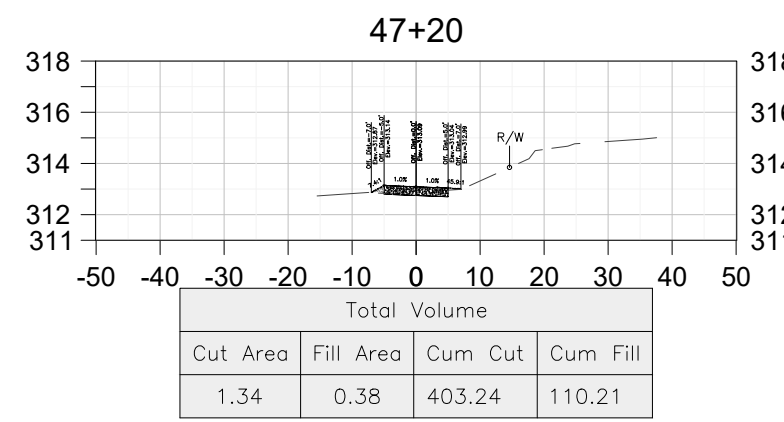
DESIGNED: D.K.	DATE: ----	RESIDENT ENGINEER	DATE		PROJECT <b>FANCHER CREEK TRAIL PROJECT</b> IMPROVEMENTS		DEPARTMENT OF PUBLIC WORKS AND PLANNING
DRAWN: J.D.	DATE: ----						SECTION VIEW (10)
CHECKED: D.S.	07/06/2020			SUPERVISING ENGINEER	DATE		
FOR RIGHT OF WAY DATA AND ACCURATE ACCESS DETERMINATION, SEE DOCUMENTS IN THE DEPARTMENT OF PUBLIC WORKS AND PLANNING.					ROAD NO. N/A	BRIDGE NO. N/A	DRAWING NO. 11292
							SHEET NO. 10
							TOTAL 16



THESE CROSS SECTIONS ARE FOR THE CONTRACTOR'S INFORMATION ONLY. THEY ARE NOT TO BE CONSIDERED TO BE PART OF THE CONTRACT DOCUMENTS AND SHALL HAVE NO BEARING WHATSOEVER ON THE INTERPRETATION OF THE STANDARD SPECIFICATIONS, THE STANDARD PLANS, THE SPECIAL PROVISIONS, NOR SHALL THEY HAVE ANY BEARING WHATSOEVER ON THE INTERPRETATION OF THE OTHER PUBLICATIONS REFERENCED THEREIN.

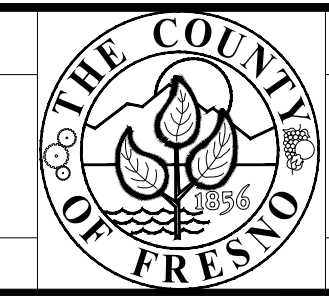
DESIGNED: D.K.	DATE: ----	RECORD DRAWING		SCALE		PROJECT		DEPARTMENT OF PUBLIC WORKS AND PLANNING	
DRAWN: J.D.	DATE: ----	RESIDENT ENGINEER	DATE	0 30' 60'		FANCHER CREEK TRAIL PROJECT		SECTION VIEW (11)	
CHECKED: D.S.	07/06/2020			SUPERVISING ENGINEER		IMPROVEMENTS			
FOR RIGHT OF WAY DATA AND ACCURATE ACCESS DETERMINATION, SEE DOCUMENTS IN THE DEPARTMENT OF PUBLIC WORKS AND PLANNING.						ROAD NO. N/A		BRIDGE NO. N/A	
								DRAWING NO. 11292 SHEET NO. 11 TOTAL 16	

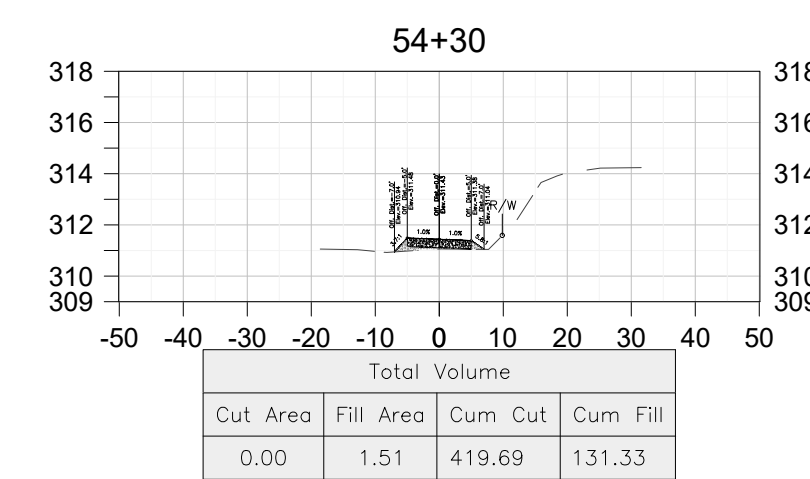
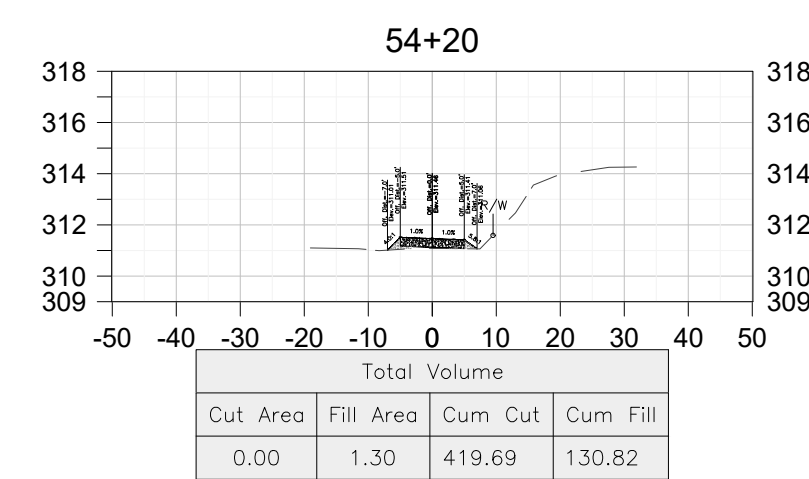
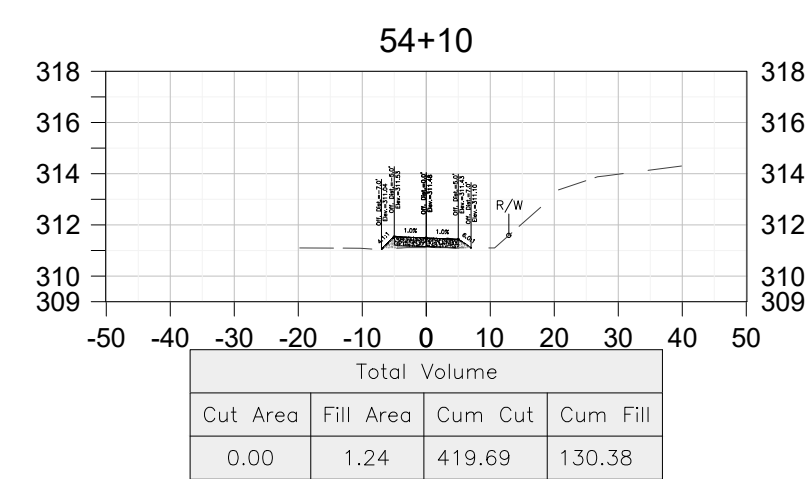
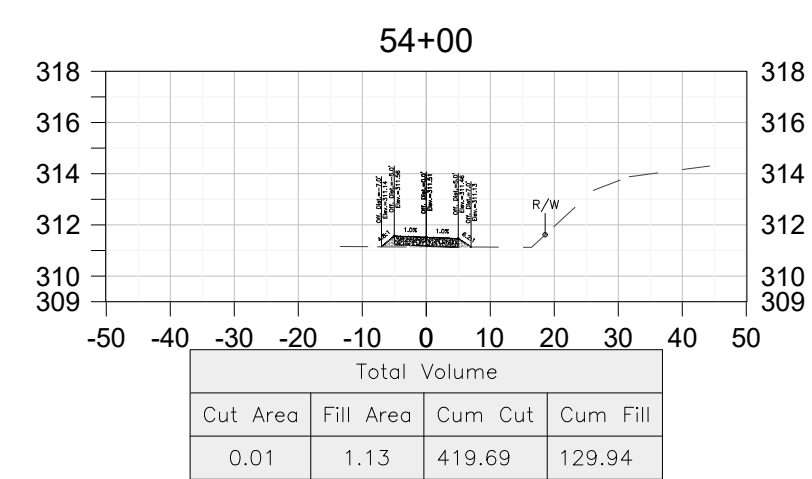
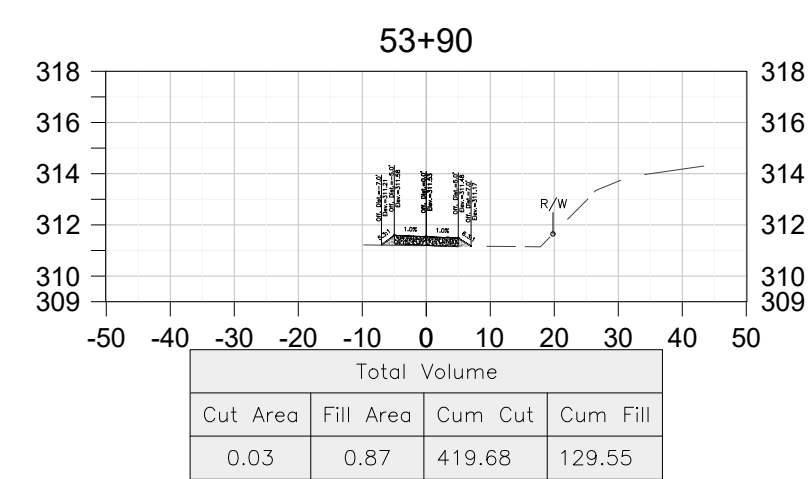
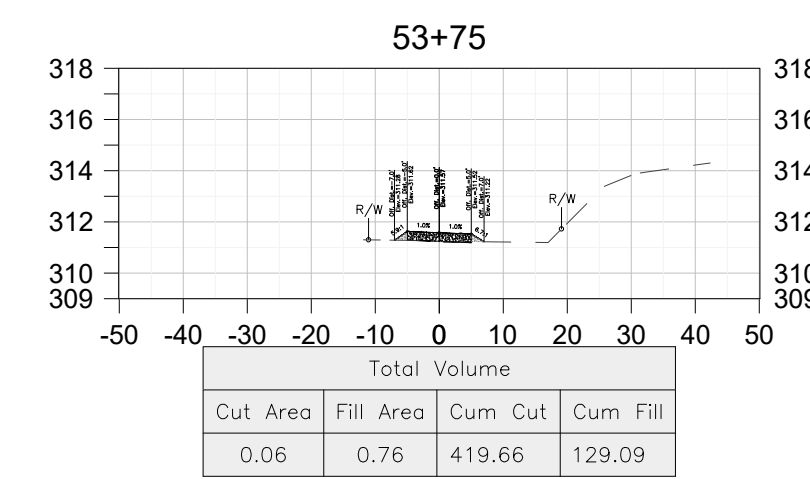
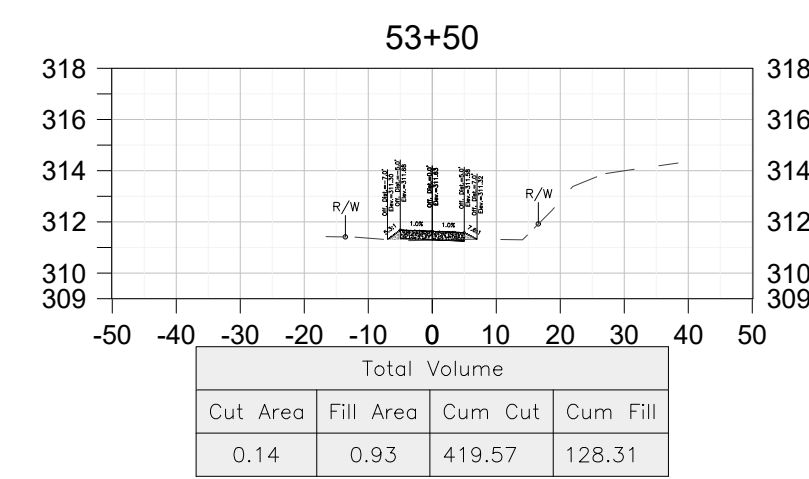
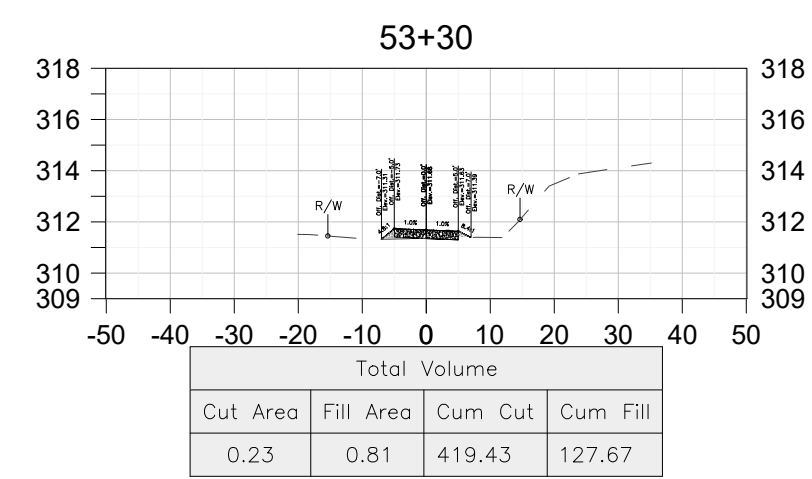
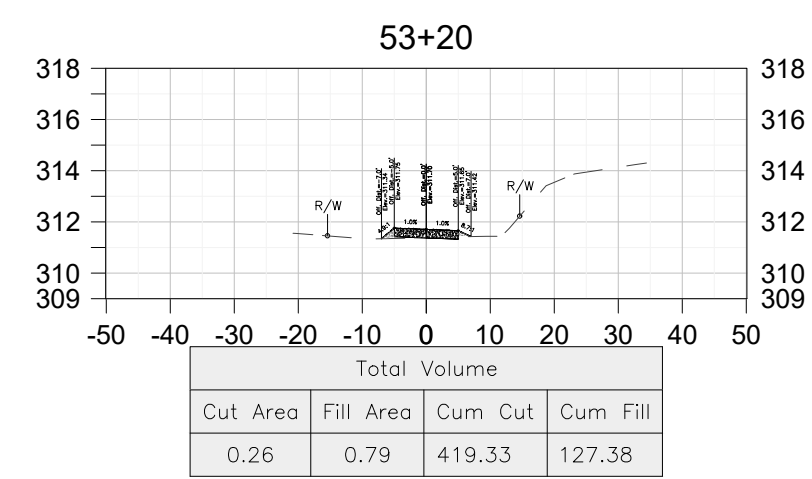
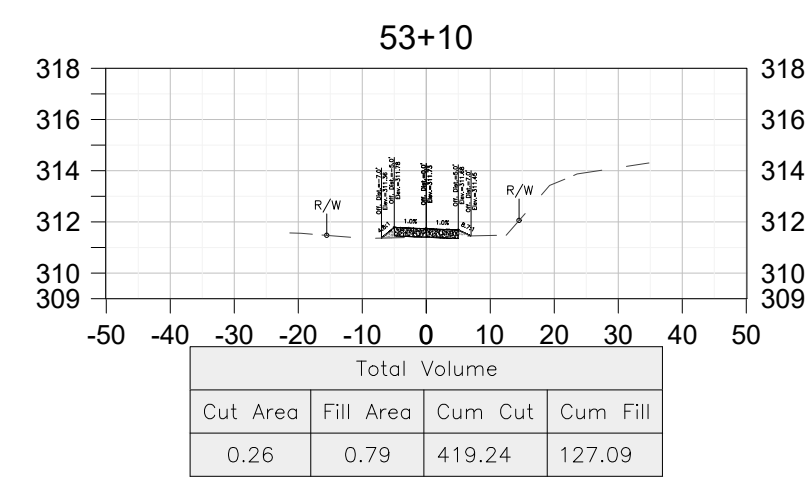
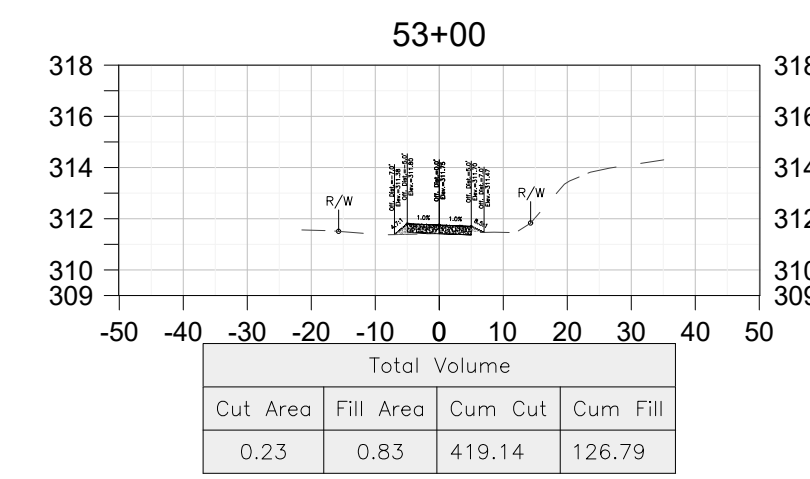
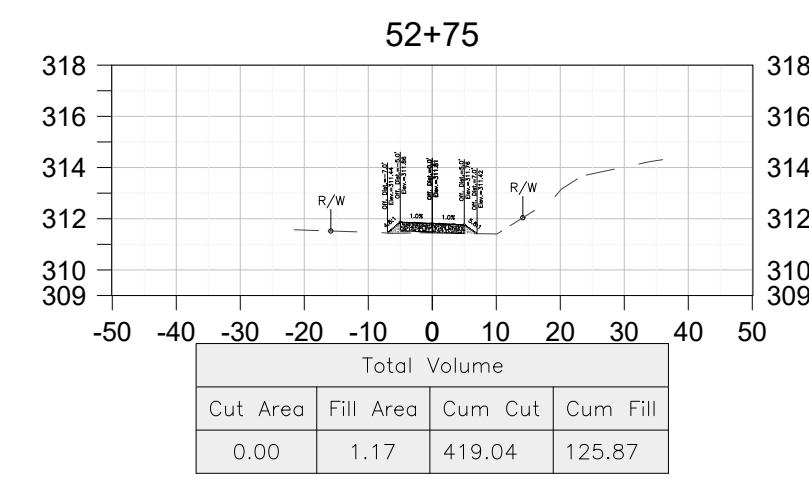
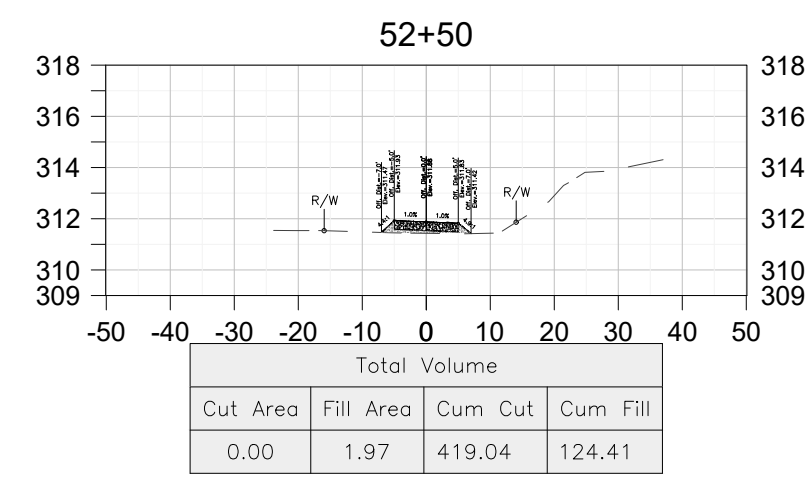
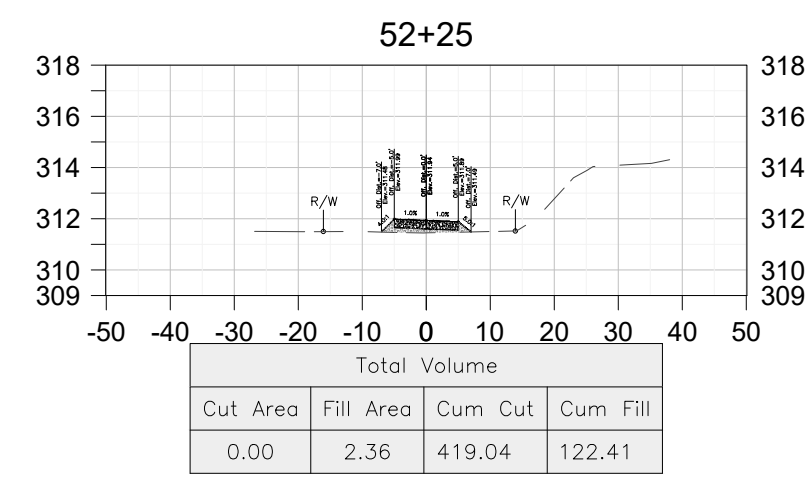
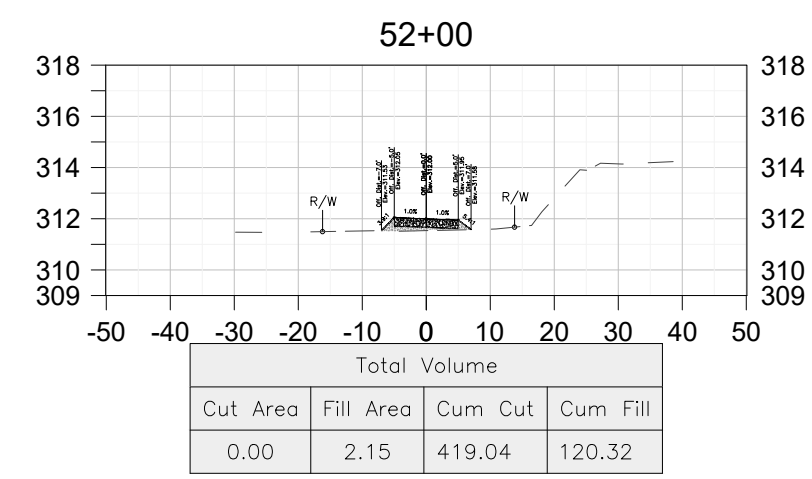
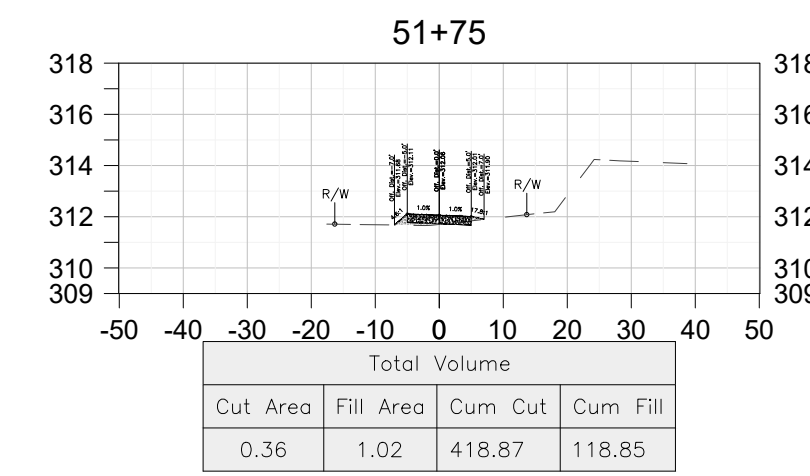
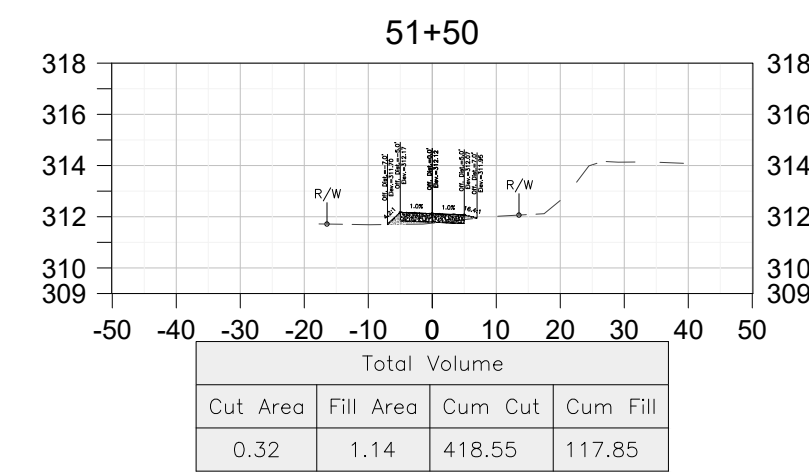
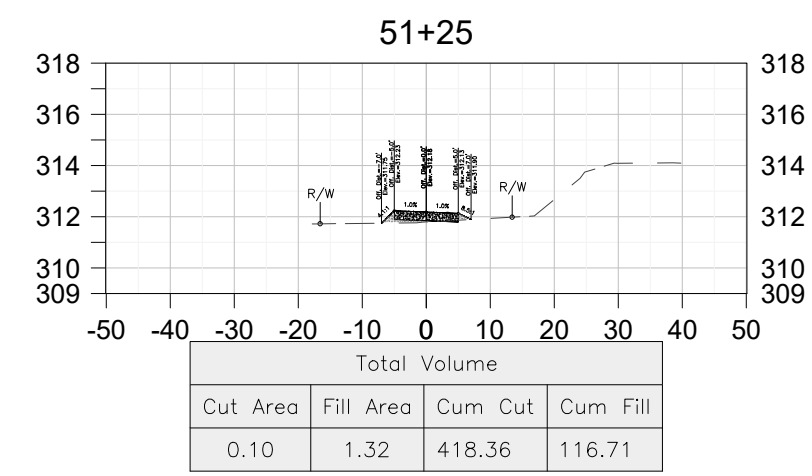
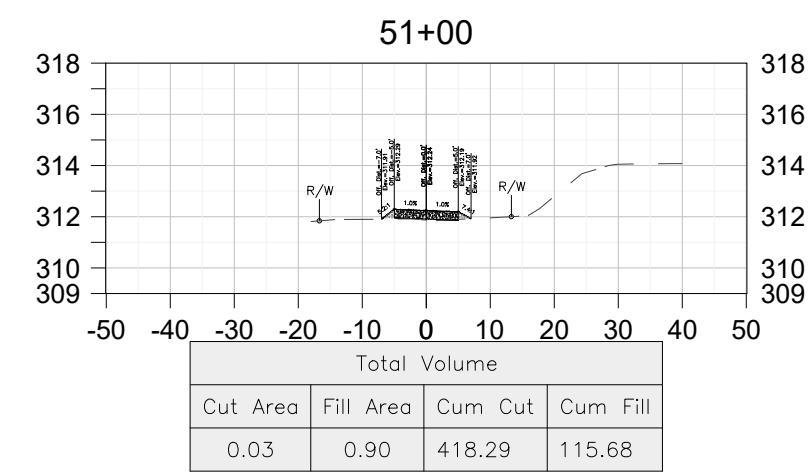
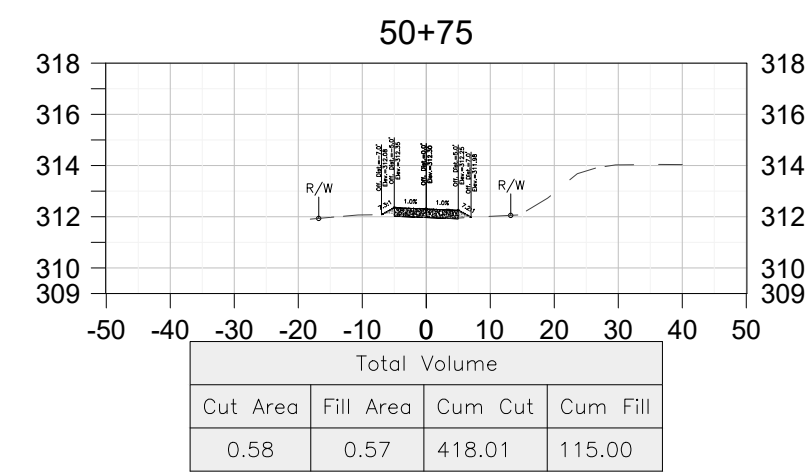




THESE CROSS SECTIONS ARE FOR THE CONTRACTOR'S INFORMATION ONLY. THEY ARE NOT TO BE CONSIDERED TO BE PART OF THE CONTRACT DOCUMENTS AND SHALL HAVE NO BEARING WHATSOEVER ON THE INTERPRETATION OF THE STANDARD SPECIFICATIONS, THE STANDARD PLANS, THE SPECIAL PROVISIONS, NOR SHALL THEY HAVE ANY BEARING WHATSOEVER ON THE INTERPRETATION OF THE OTHER PUBLICATIONS REFERENCED THEREIN.

DESIGNED: D.K.	DATE: ----	<b>RECORD DRAWING</b>		<b>SCALE</b>		<b>PROJECT</b>		<b>DEPARTMENT OF PUBLIC WORKS AND PLANNING</b>	
DRAWN: J.D.	DATE: ----	RESIDENT ENGINEER	DATE	0 30' 60'		FANCHER CREEK TRAIL PROJECT		SECTION VIEW (12)	
CHECKED: D.S.	07/06/2020			SUPERVISING ENGINEER		IMPROVEMENTS		-	
FOR RIGHT OF WAY DATA AND ACCURATE ACCESS DETERMINATION, SEE DOCUMENTS IN THE DEPARTMENT OF PUBLIC WORKS AND PLANNING.						ROAD NO. N/A		DRAWING NO. 11292 SHEET NO. 12 TOTAL 16	

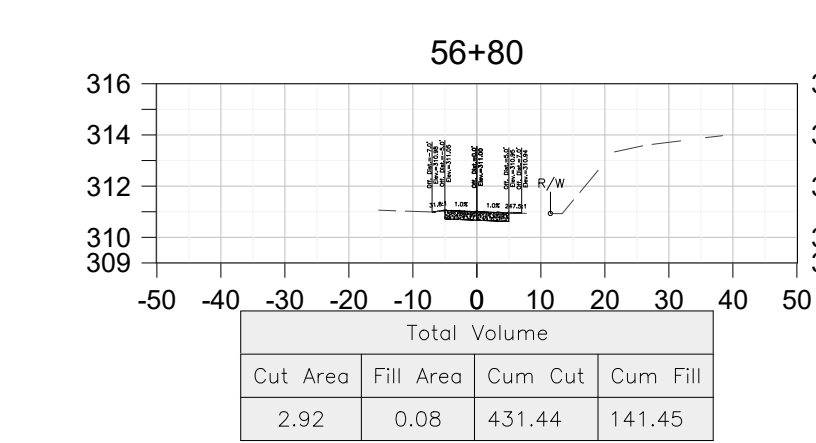
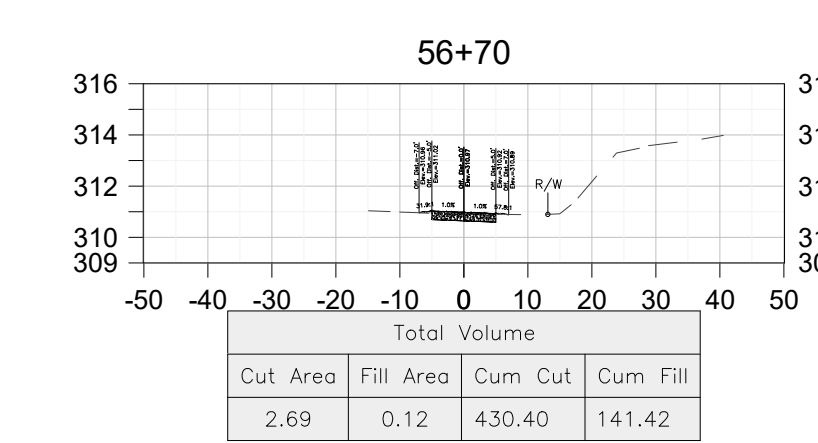
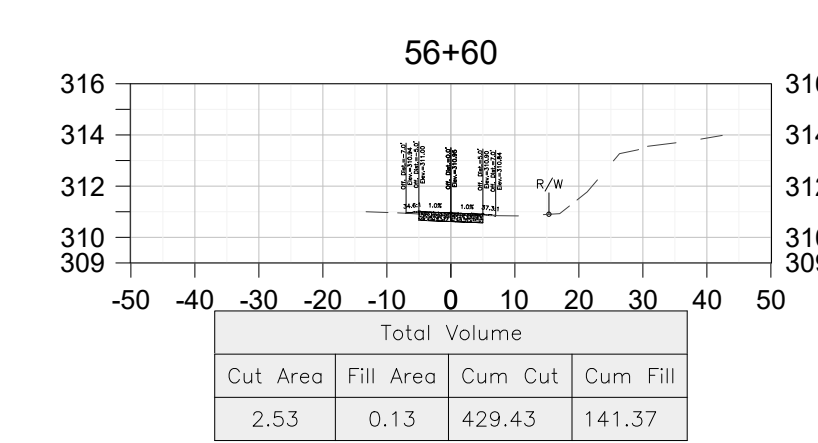
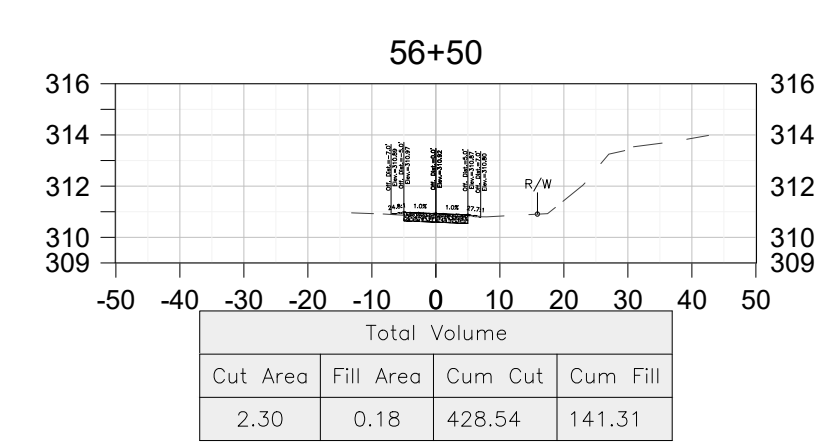
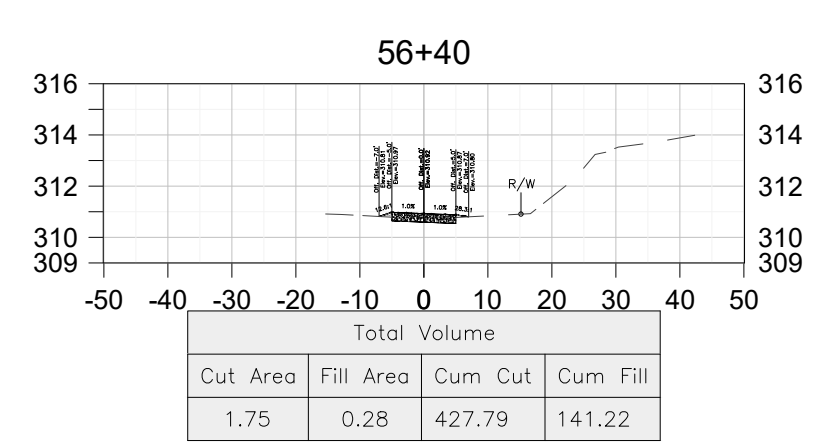
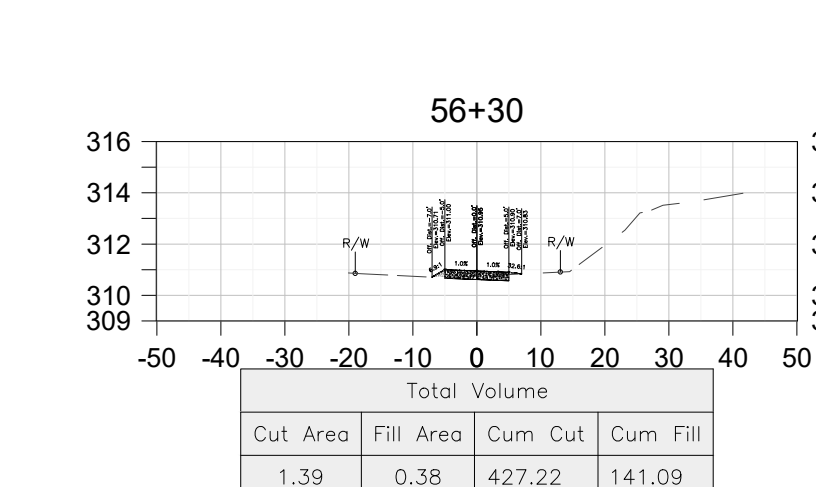
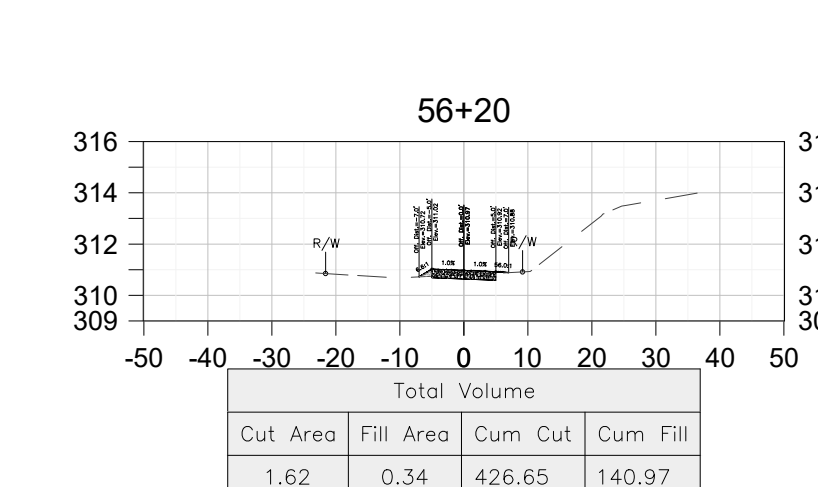
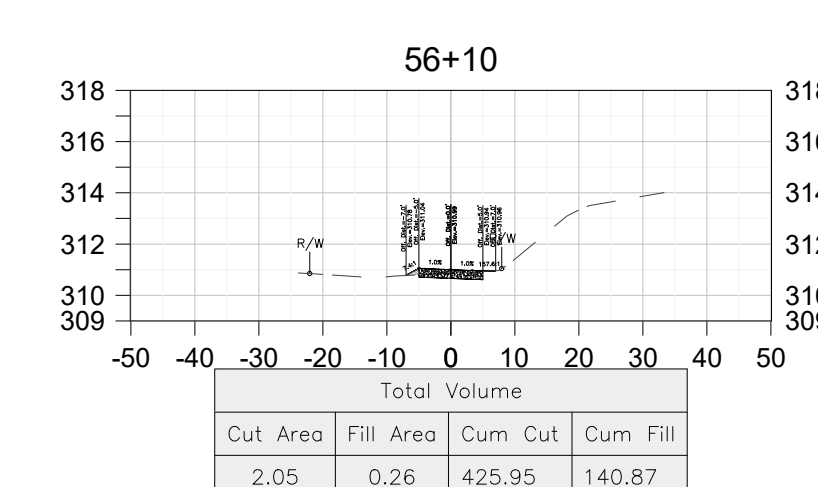
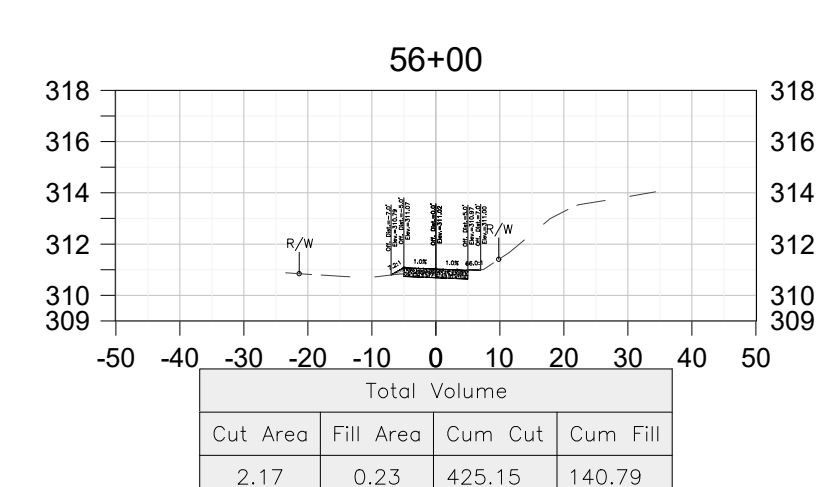
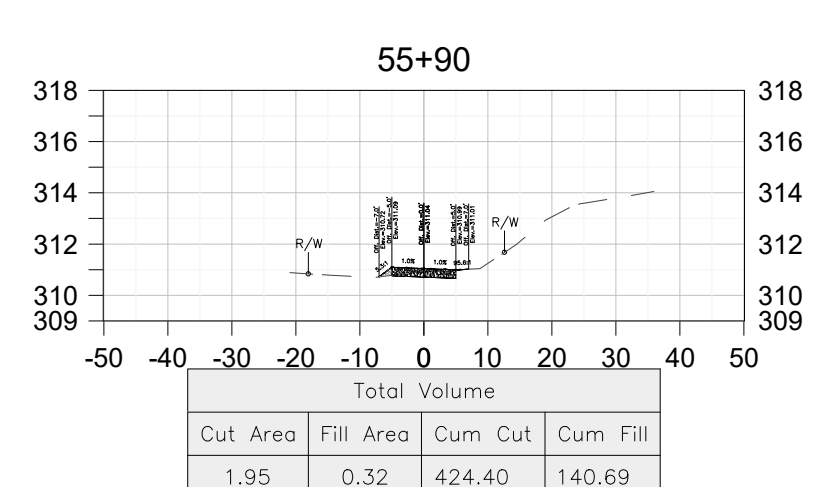
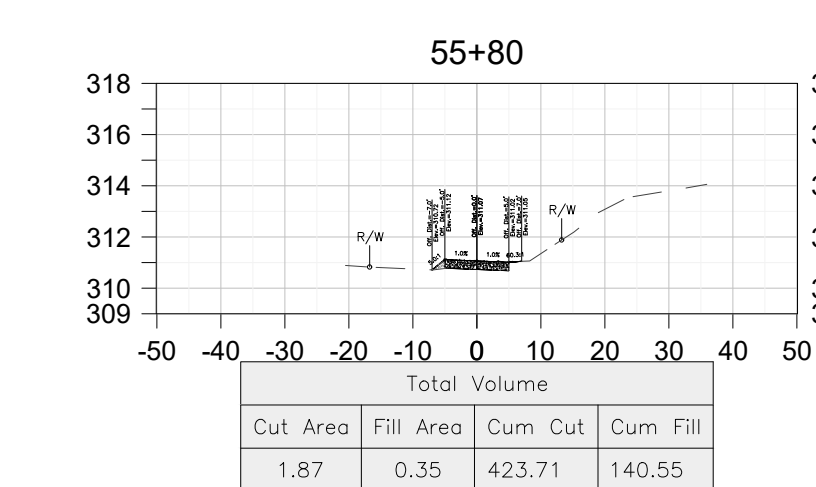
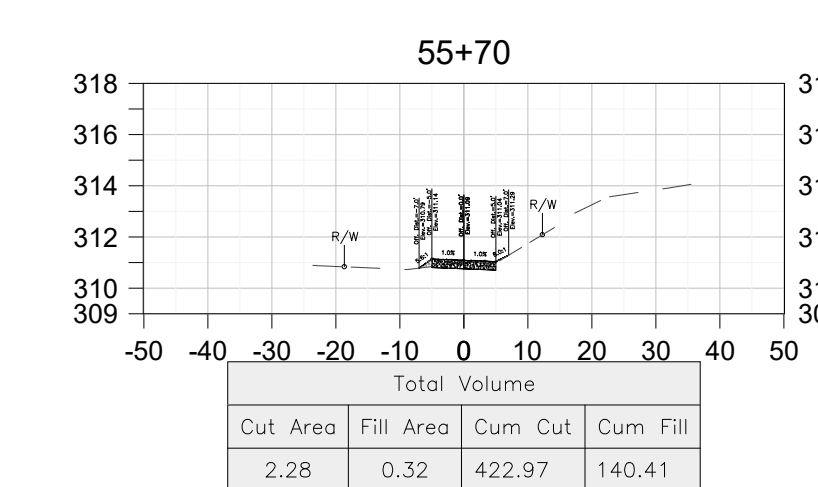
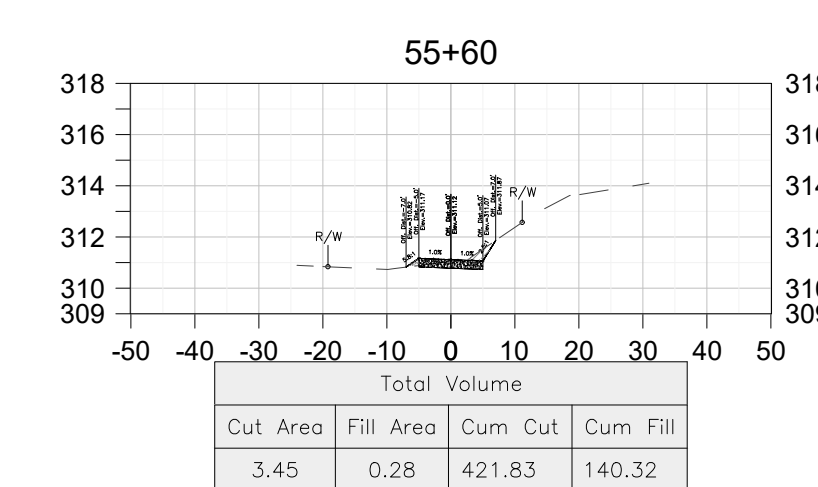
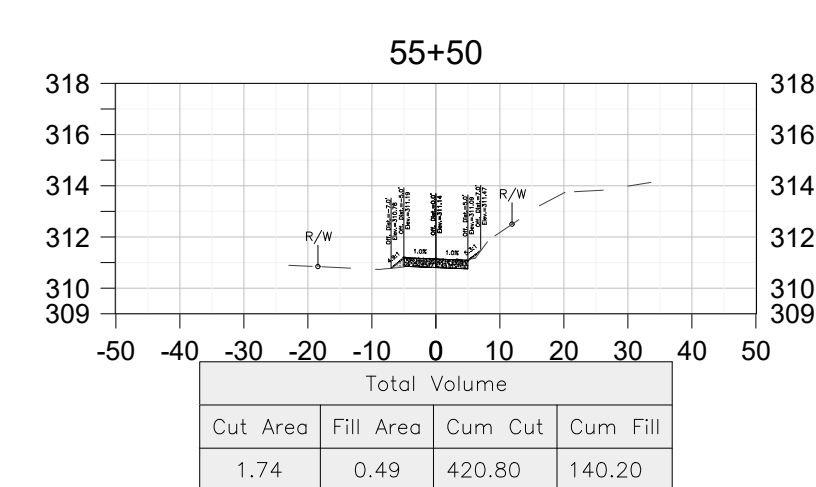
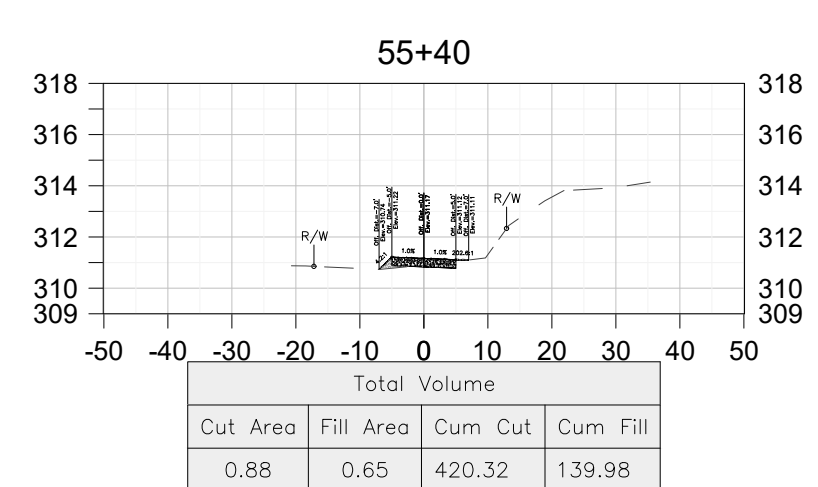
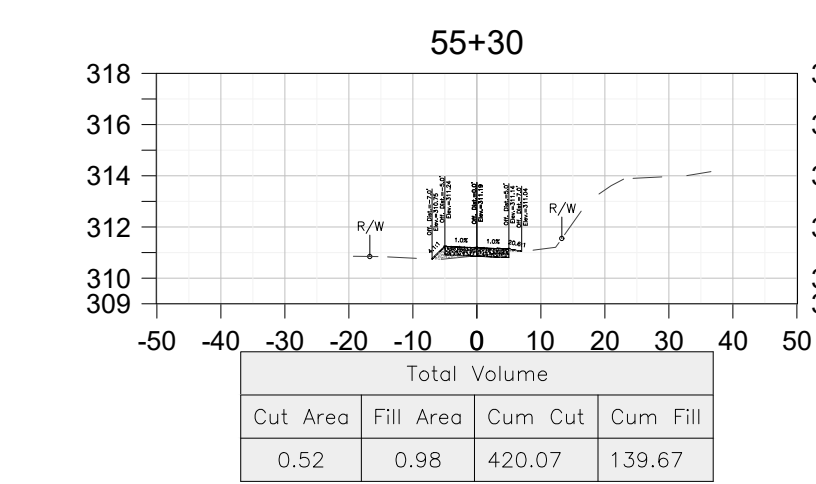
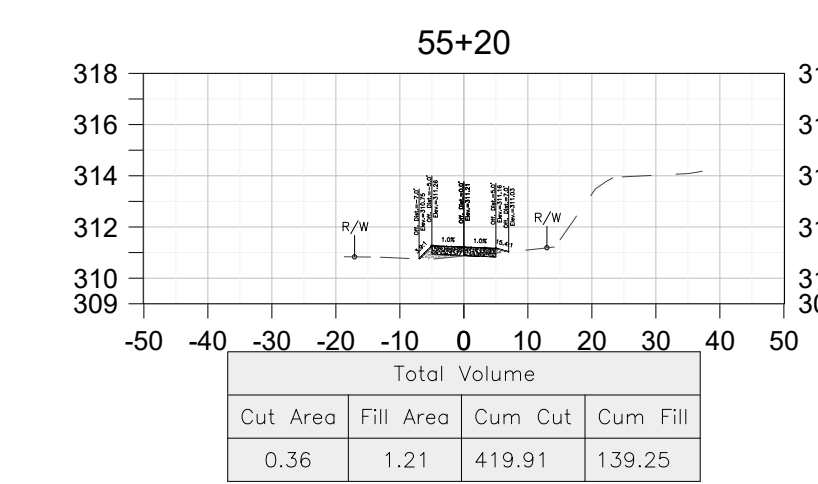
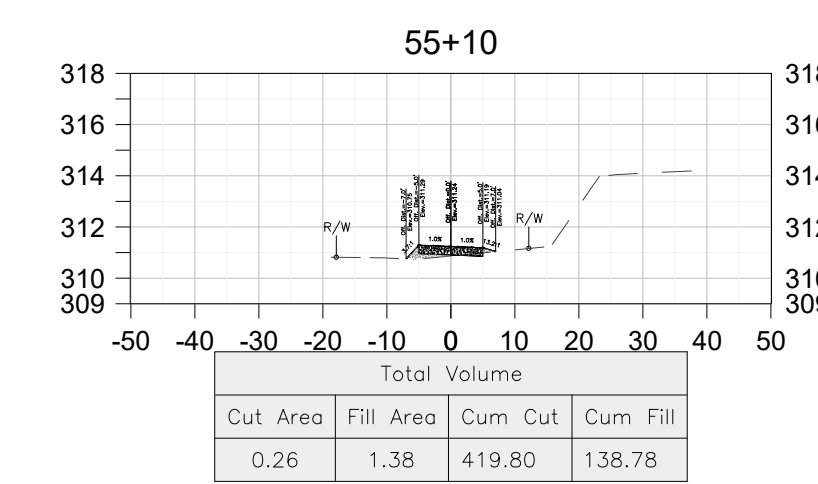
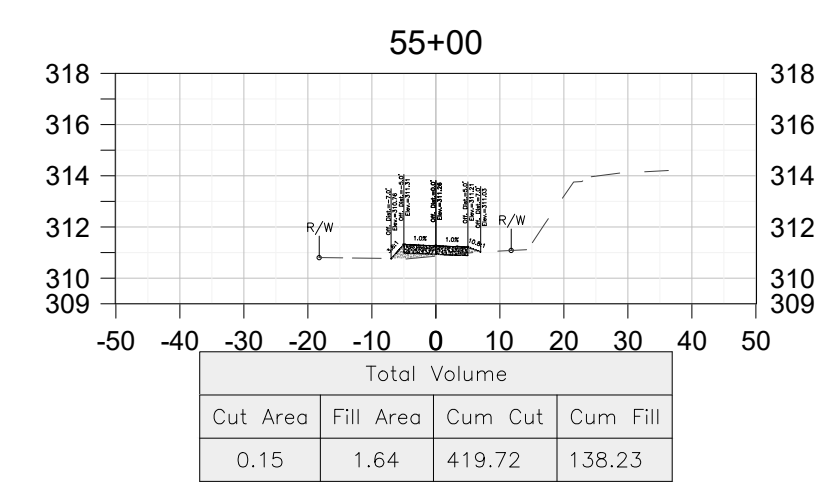
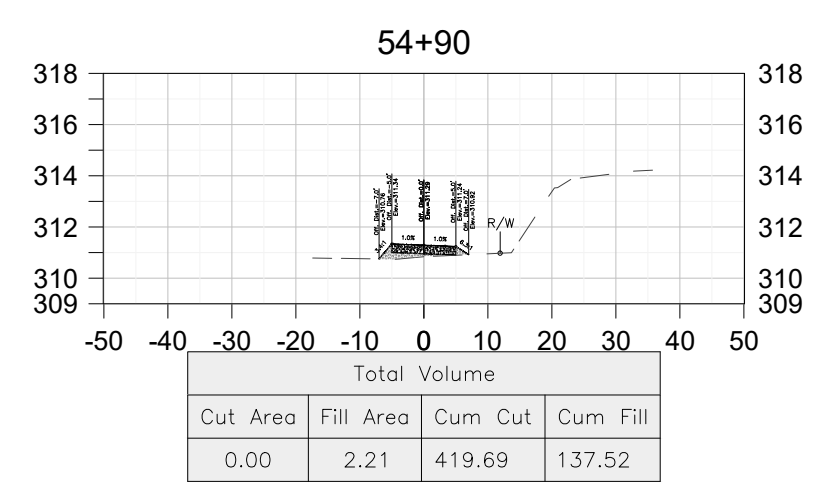
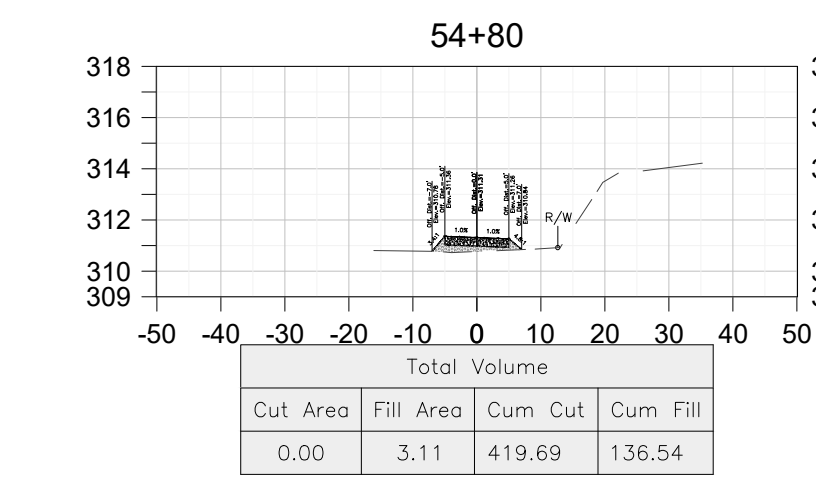
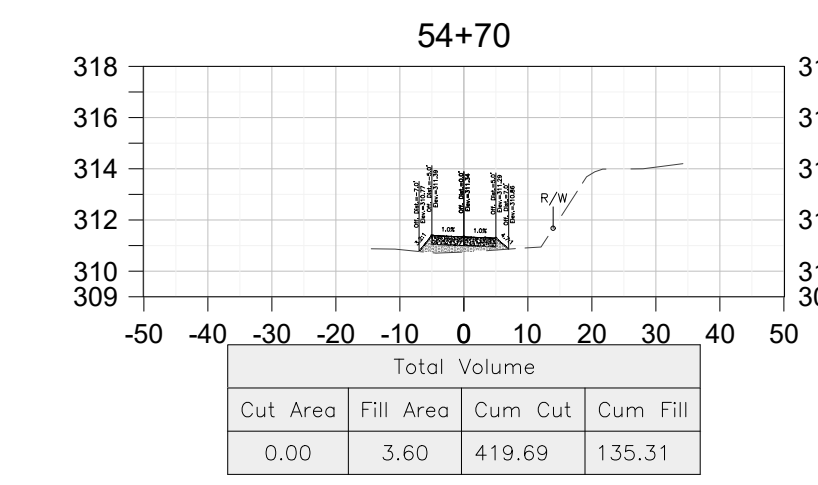
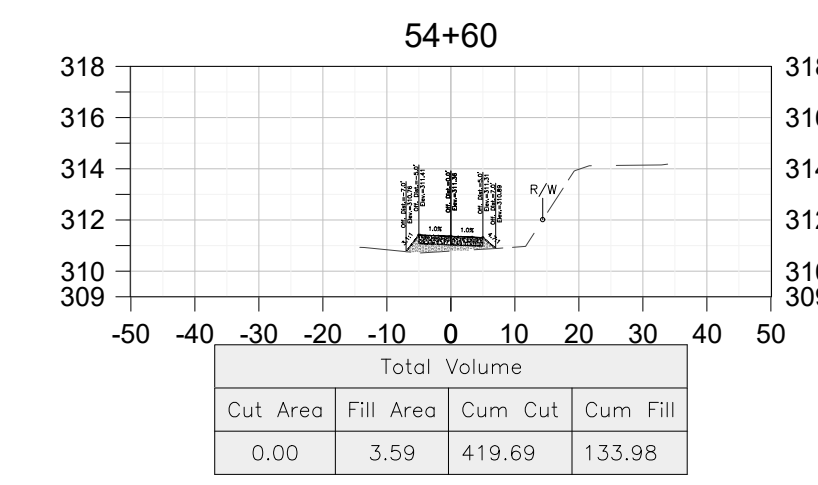
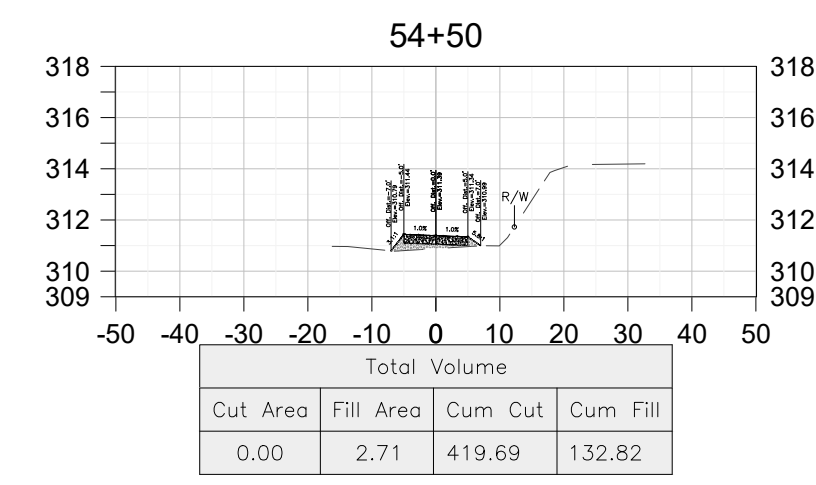
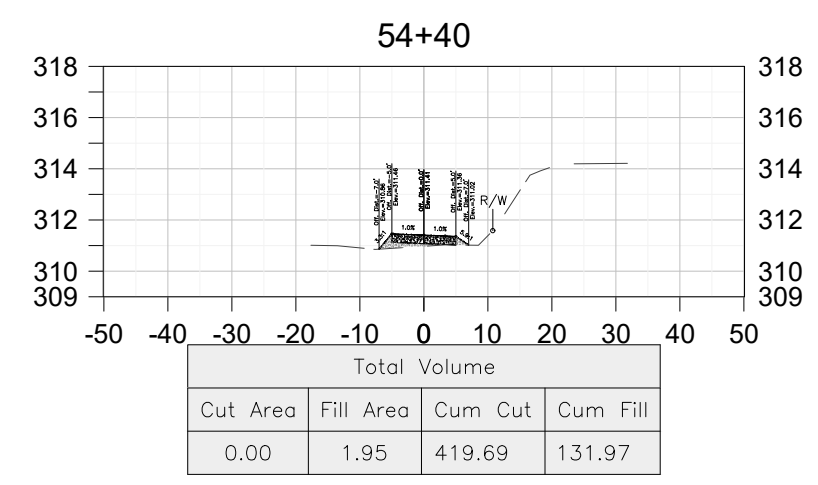




THESE CROSS SECTIONS ARE FOR THE CONTRACTOR'S INFORMATION ONLY. THEY ARE NOT TO BE CONSIDERED TO BE PART OF THE CONTRACT DOCUMENTS AND SHALL HAVE NO BEARING WHATSOEVER ON THE INTERPRETATION OF THE STANDARD SPECIFICATIONS, THE STANDARD PLANS, THE SPECIAL PROVISIONS, NOR SHALL THEY HAVE ANY BEARING WHATSOEVER ON THE INTERPRETATION OF THE OTHER PUBLICATIONS REFERENCED THEREIN.

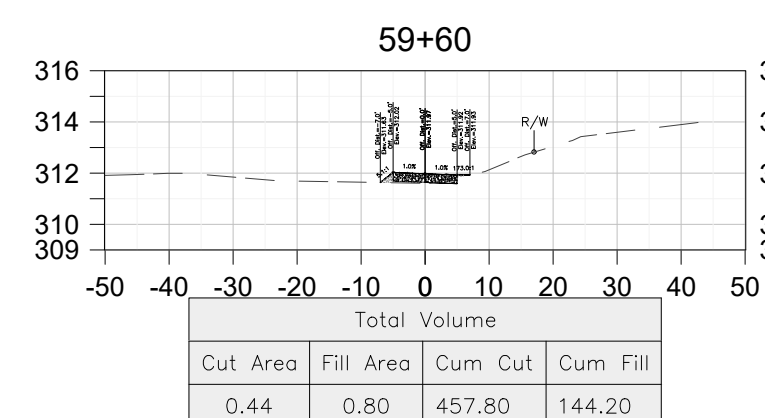
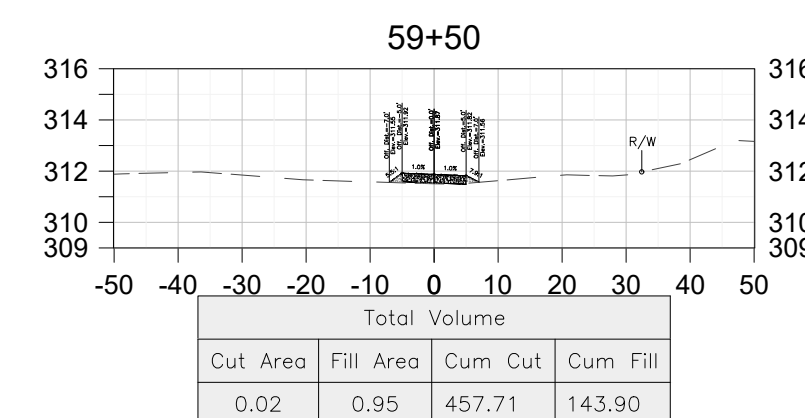
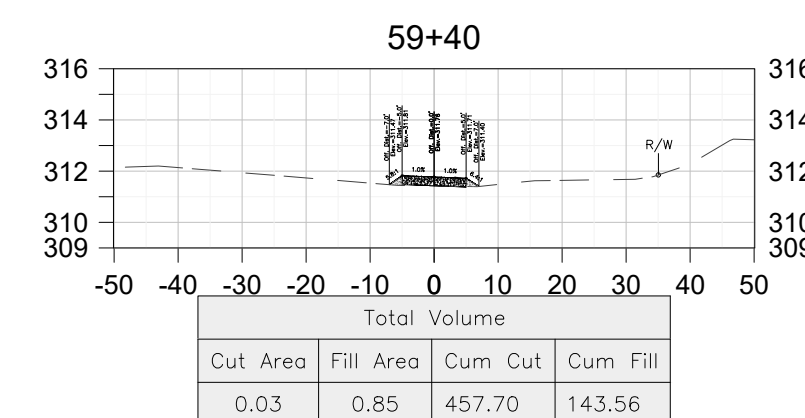
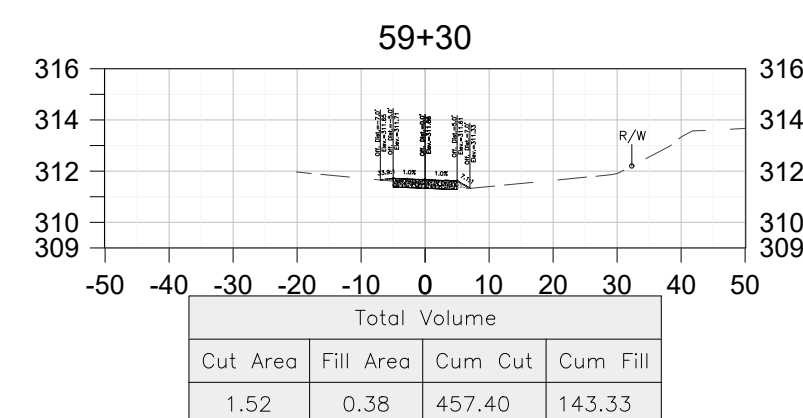
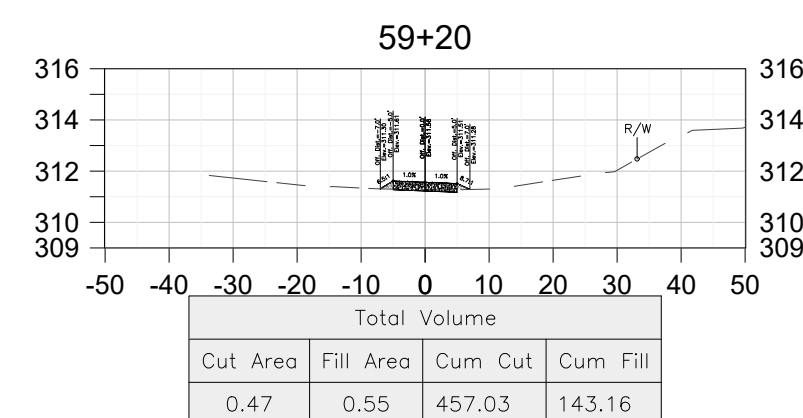
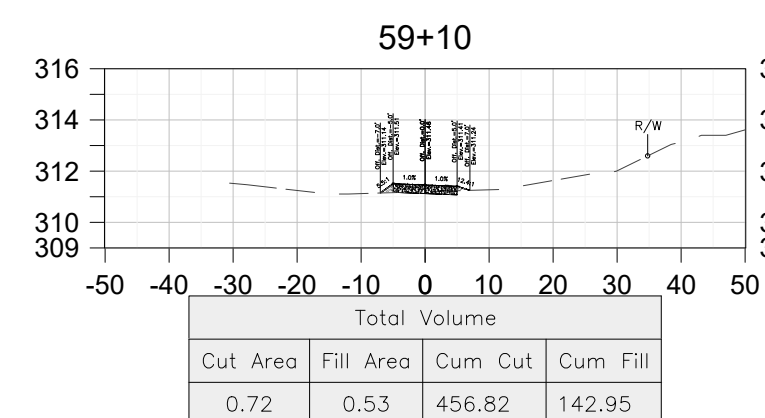
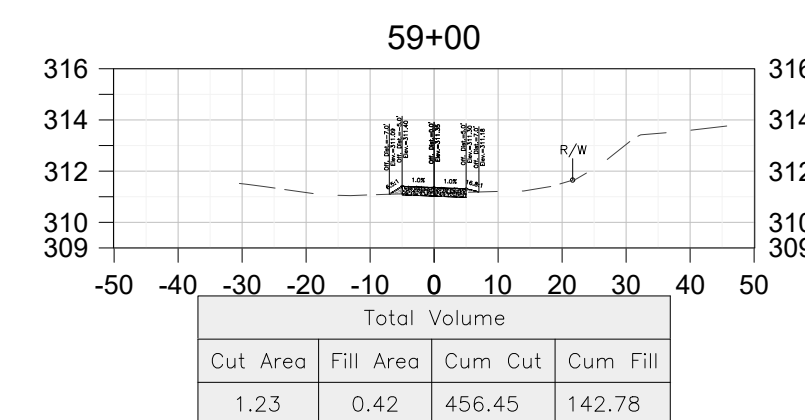
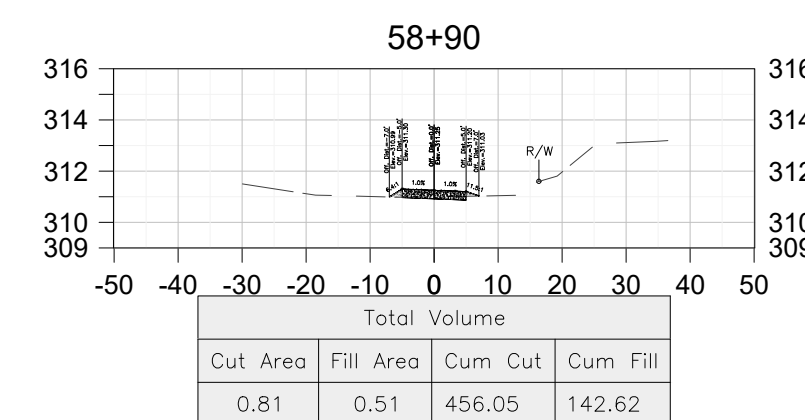
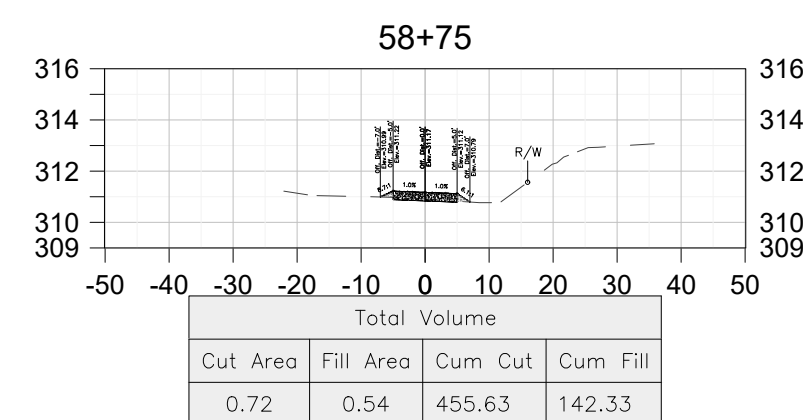
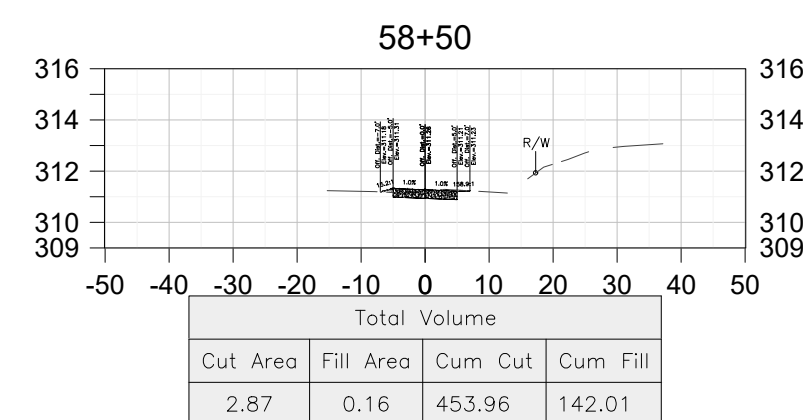
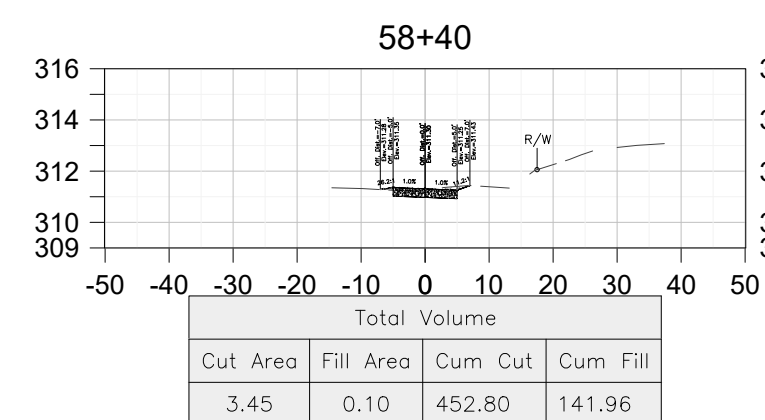
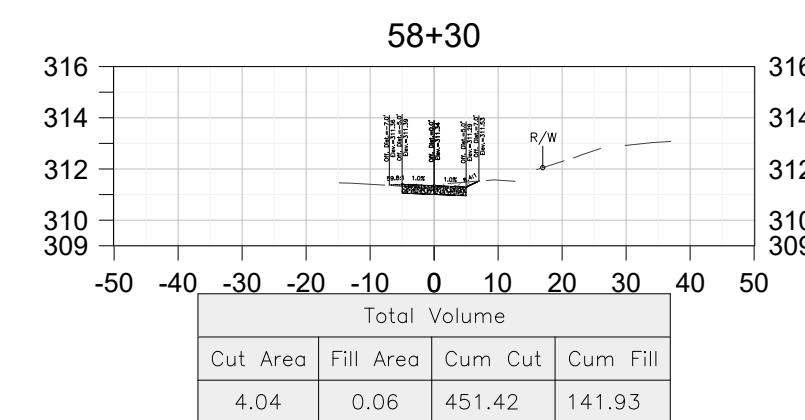
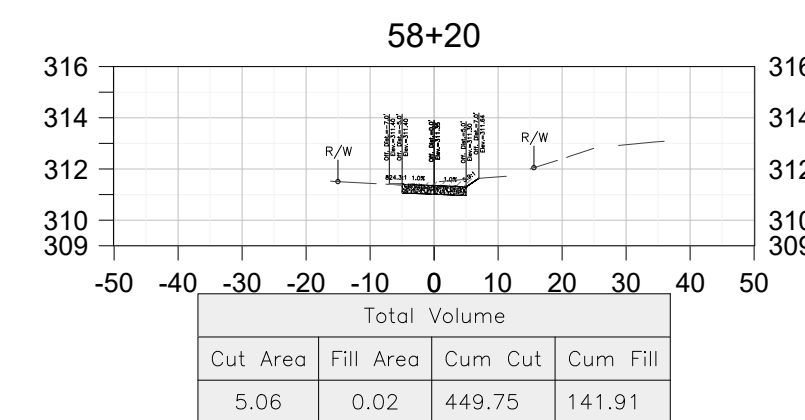
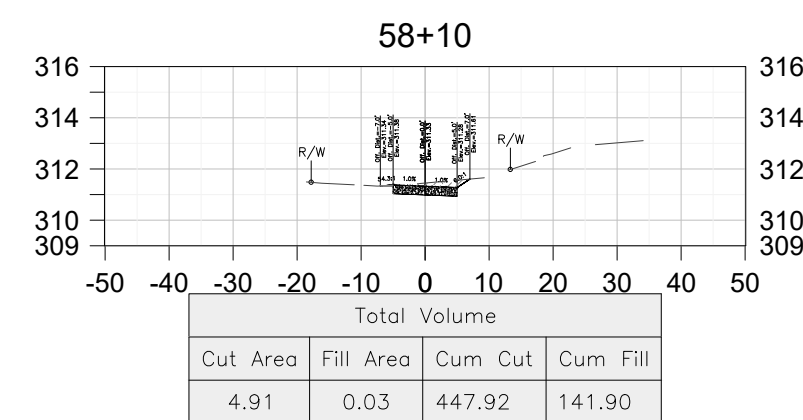
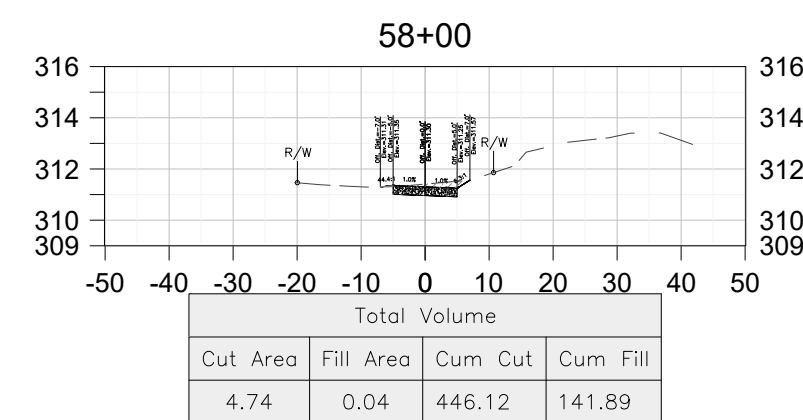
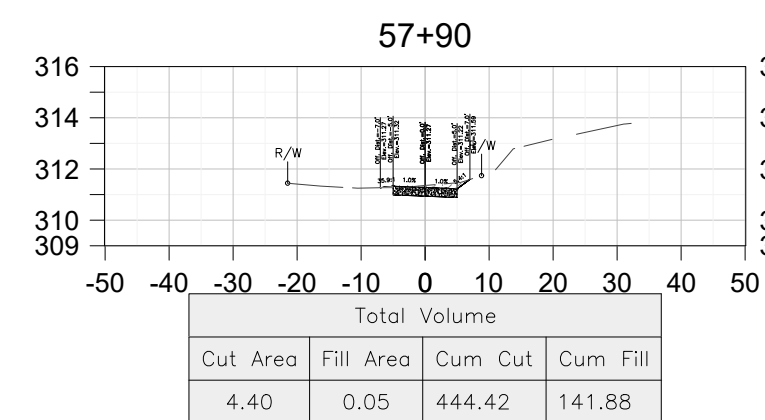
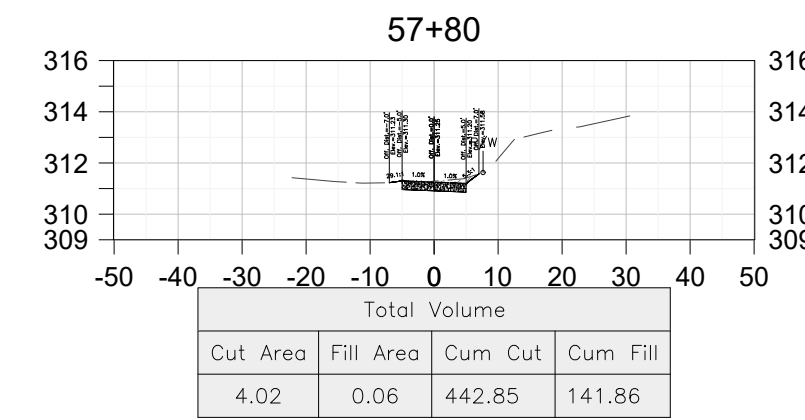
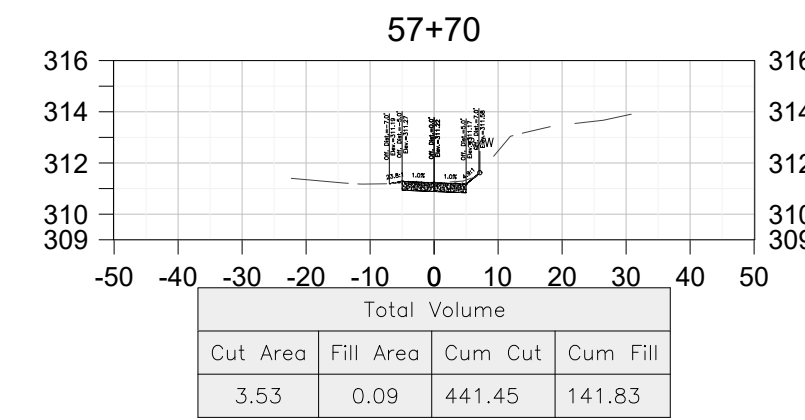
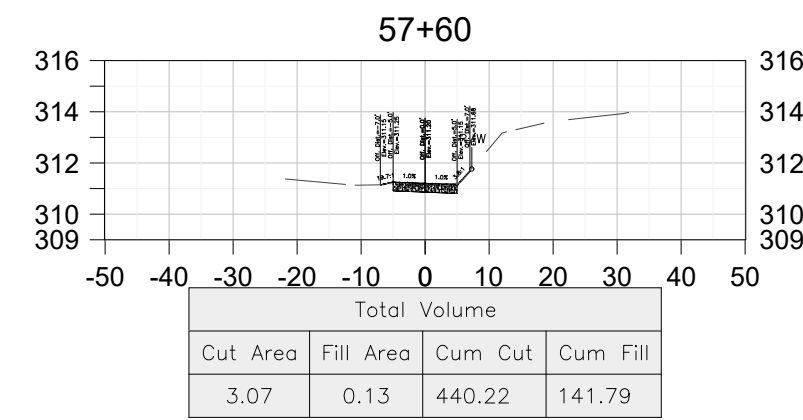
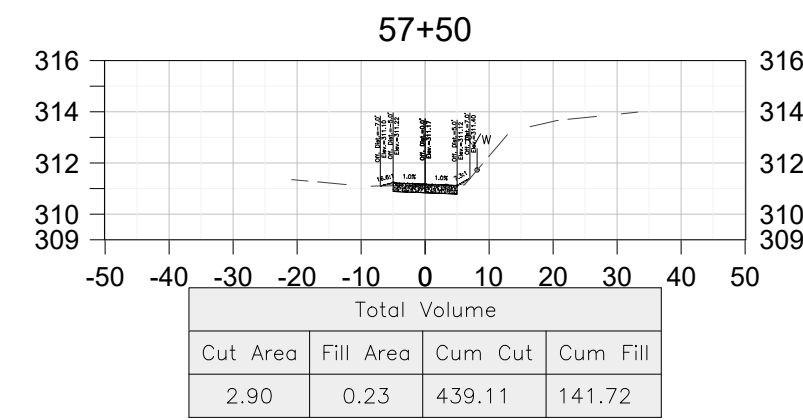
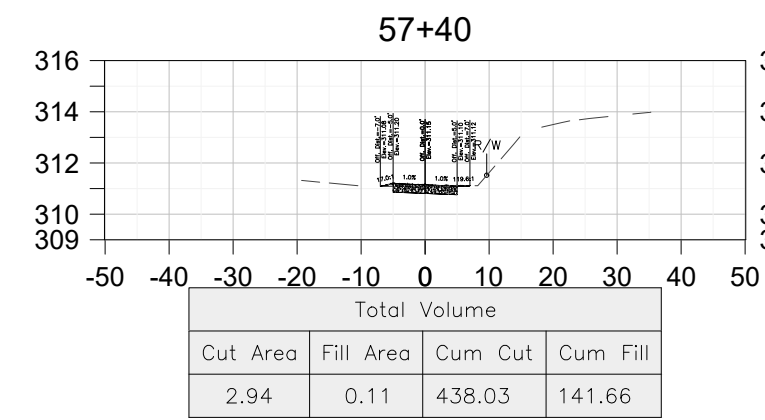
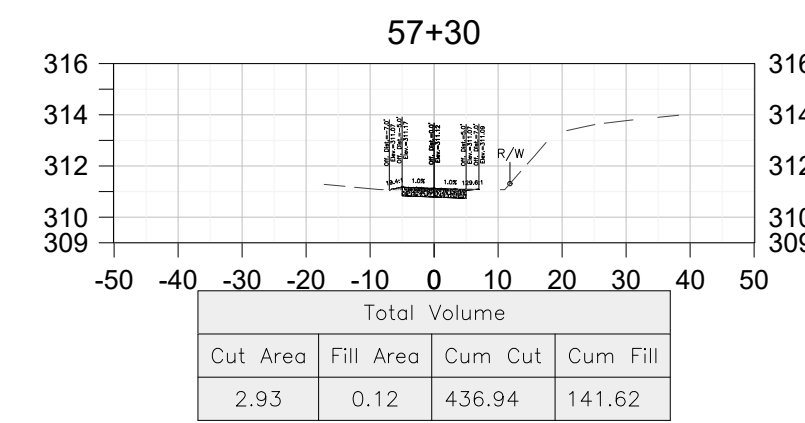
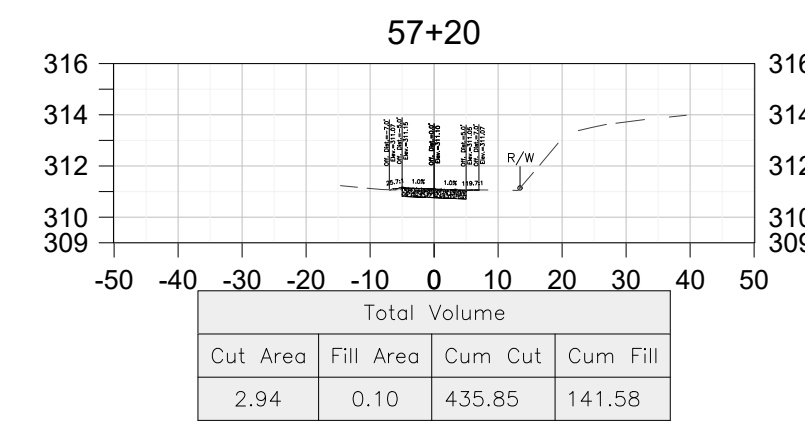
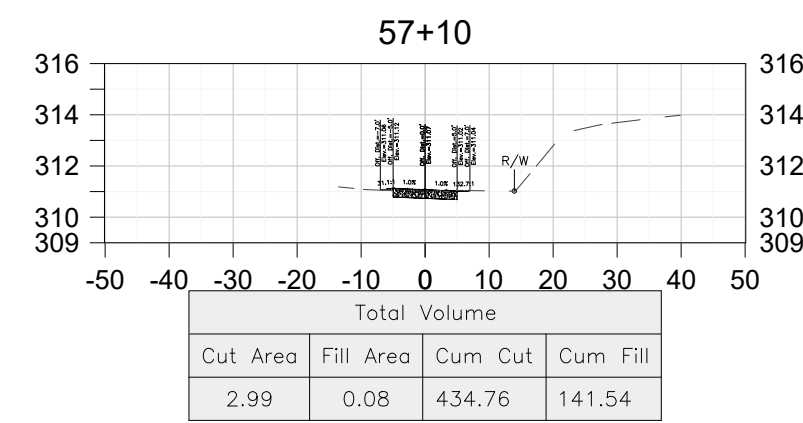
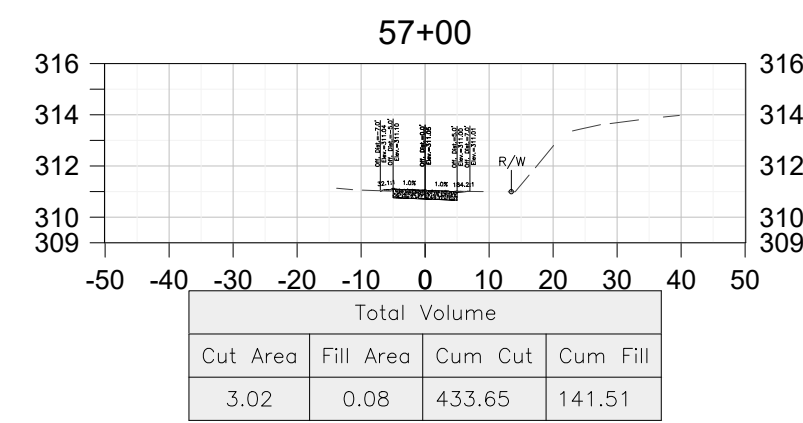
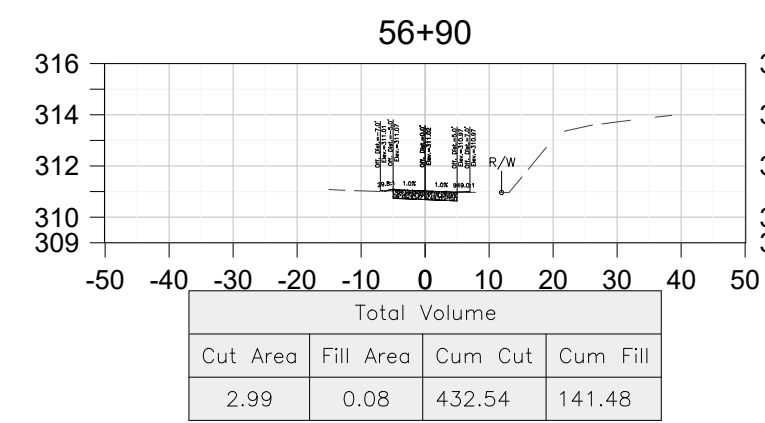
DESIGNED: D.K.	DATE: ----	RECORD DRAWING		SCALE		PROJECT		DEPARTMENT OF PUBLIC WORKS AND PLANNING	
DRAWN: J.D.	DATE: ----	RESIDENT ENGINEER		0 30' 60'		FANCHER CREEK TRAIL PROJECT		SECTION VIEW (13)	
CHECKED: D.S.	07/06/2020			SUPERVISING ENGINEER		IMPROVEMENTS			
FOR RIGHT OF WAY DATA AND ACCURATE ACCESS DETERMINATION, SEE DOCUMENTS IN THE DEPARTMENT OF PUBLIC WORKS AND PLANNING.						ROAD NO. N/A		DRAWING NO. 11292	
						BRIDGE NO. N/A		SHEET NO. 13	
								TOTAL 16	





THESE CROSS SECTIONS ARE FOR THE CONTRACTOR'S INFORMATION ONLY. THEY ARE NOT TO BE CONSIDERED TO BE PART OF THE CONTRACT DOCUMENTS AND SHALL HAVE NO BEARING WHATSOEVER ON THE INTERPRETATION OF THE STANDARD SPECIFICATIONS, THE STANDARD PLANS, THE SPECIAL PROVISIONS, NOR SHALL THEY HAVE ANY BEARING WHATSOEVER ON THE INTERPRETATION OF THE OTHER PUBLICATIONS REFERENCED THEREIN.

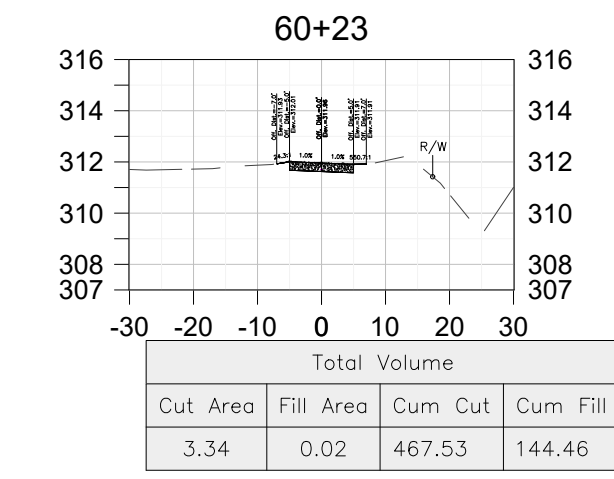
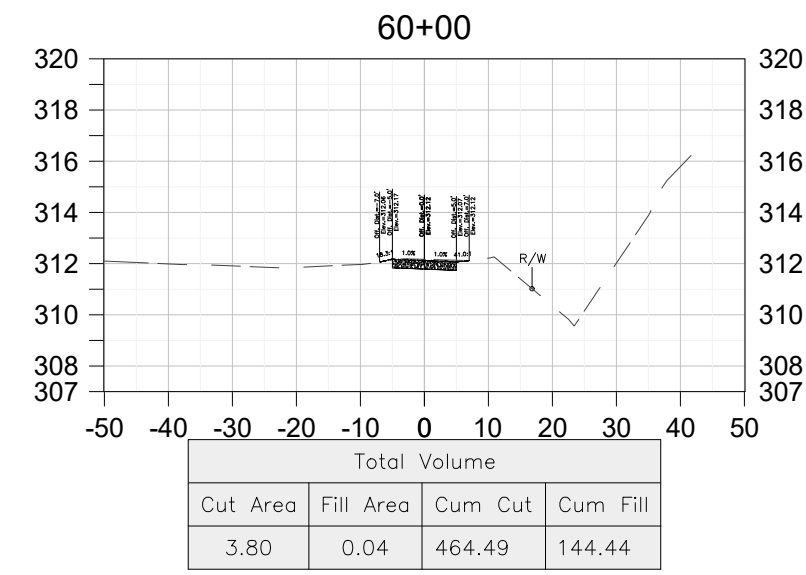
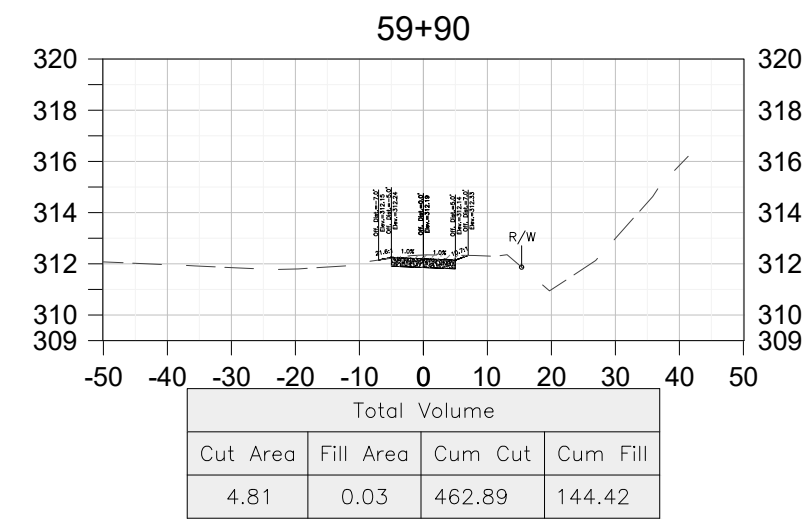
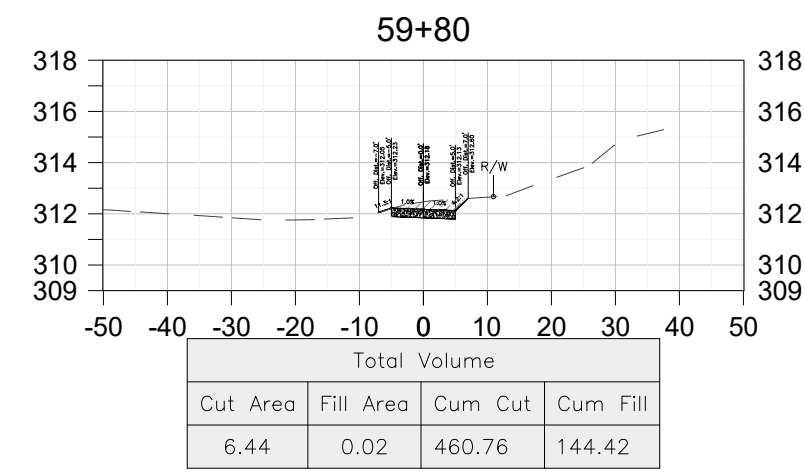
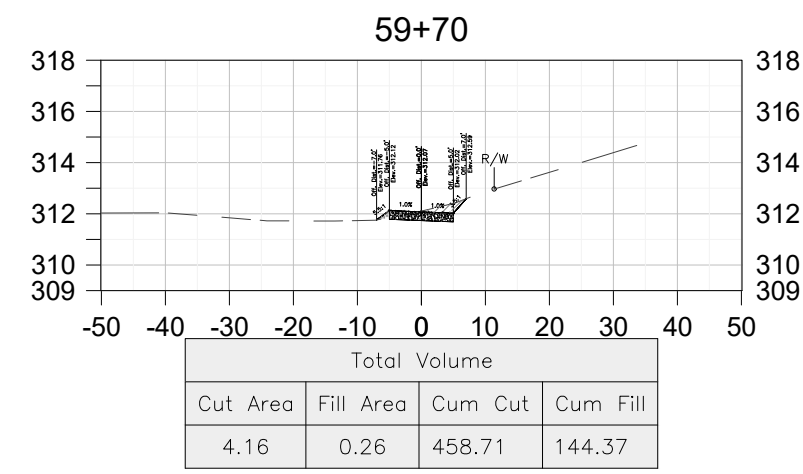
DESIGNED: D.K.	DATE: ----	RESIDENT ENGINEER	DATE		PROJECT <b>FANCHER CREEK TRAIL PROJECT</b> IMPROVEMENTS		DEPARTMENT OF PUBLIC WORKS AND PLANNING <b>SECTION VIEW (14)</b>	
DRAWN: J.D.	DATE: ----							
CHECKED: D.S.	07/06/2020							
FOR RIGHT OF WAY DATA AND ACCURATE ACCESS DETERMINATION, SEE DOCUMENTS IN THE DEPARTMENT OF PUBLIC WORKS AND PLANNING.				SUPERVISING ENGINEER	DATE	ROAD NO. N/A	BRIDGE NO. N/A	
						DRAWING NO. 11292	SHEET NO. 14	TOTAL 16



THESE CROSS SECTIONS ARE FOR THE CONTRACTOR'S INFORMATION ONLY. THEY ARE NOT TO BE CONSIDERED TO BE PART OF THE CONTRACT DOCUMENTS AND SHALL HAVE NO BEARING WHATSOEVER ON THE INTERPRETATION OF THE STANDARD SPECIFICATIONS, THE STANDARD PLANS, THE SPECIAL PROVISIONS, NOR SHALL THEY HAVE ANY BEARING WHATSOEVER ON THE INTERPRETATION OF THE OTHER PUBLICATIONS REFERENCED THEREIN.

DESIGNED: D.K.	DATE	RECORD DRAWING		SCALE		PROJECT		DEPARTMENT OF PUBLIC WORKS AND PLANNING	
DRAWN: J.D.	----	RESIDENT ENGINEER	DATE	0 30' 60'		FANCHER CREEK TRAIL PROJECT		SECTION VIEW (15)	
CHECKED: D.S.	07/06/2020			SUPERVISING ENGINEER		IMPROVEMENTS			
FOR RIGHT OF WAY DATA AND ACCURATE ACCESS DETERMINATION, SEE DOCUMENTS IN THE DEPARTMENT OF PUBLIC WORKS AND PLANNING.						ROAD NO. N/A		DRAWING NO. 11292	
						BRIDGE NO. N/A		SHEET NO. 15	
								TOTAL 16	





THESE CROSS SECTIONS ARE FOR THE CONTRACTOR'S INFORMATION ONLY. THEY ARE NOT TO BE CONSIDERED TO BE PART OF THE CONTRACT DOCUMENTS AND SHALL HAVE NO BEARING WHATSOEVER ON THE INTERPRETATION OF THE STANDARD SPECIFICATIONS, THE STANDARD PLANS, THE SPECIAL PROVISIONS, NOR SHALL THEY HAVE ANY BEARING WHATSOEVER ON THE INTERPRETATION OF THE OTHER PUBLICATIONS REFERENCED THEREIN.

DESIGNED: D.K. DRAWN: J.D. CHECKED: D.S.		DATE ---- 07/06/2020	<b>RECORD DRAWING</b> RESIDENT ENGINEER	DATE	<b>SCALE</b> 0      30'      60' 	SUPERVISING ENGINEER _____ DATE _____	<b>PROJECT</b> <b>FANCHER CREEK TRAIL PROJECT</b> IMPROVEMENTS ROAD NO. N/A      BRIDGE NO. N/A		DEPARTMENT OF PUBLIC WORKS AND PLANNING <b>SECTION VIEW (16)</b> - DRAWING NO. 11292      SHEET NO. 16      TOTAL 16
--	--	----------------------------	--	------	---	---------------------------------------	--	--	---

FOR RIGHT OF WAY DATA AND ACCURATE ACCESS DETERMINATION, SEE DOCUMENTS IN THE DEPARTMENT OF PUBLIC WORKS AND PLANNING.