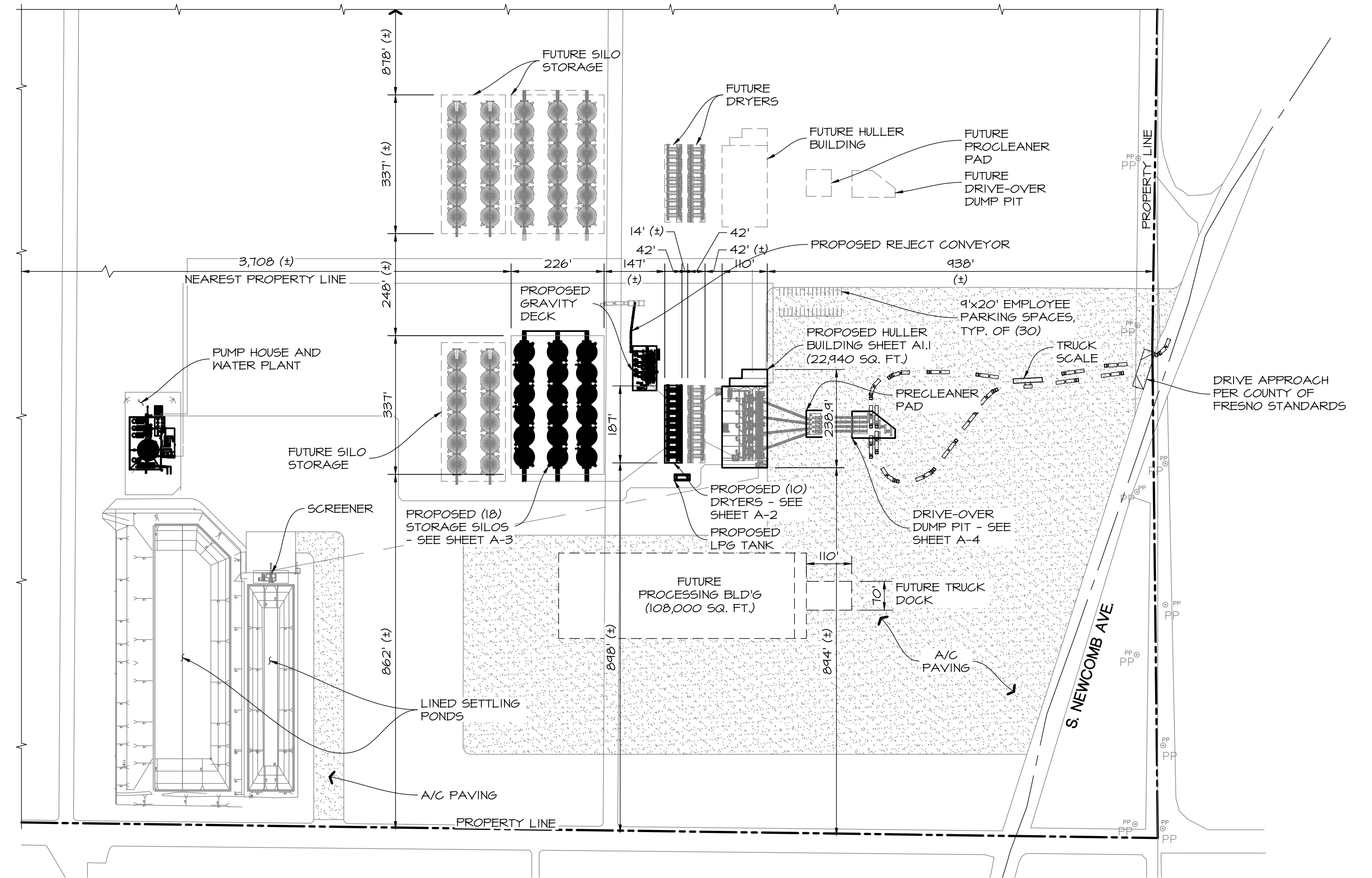


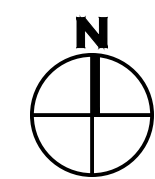
**OVERALL SITE PLAN**

1" = 500'



**(A) PARTIAL SITE PLAN**

1" = 200'



**VICINITY MAP**

N.T.S.

file: c:\Users\user\Documents\Projects - general\roose & sons\2013\03 - silo product huller\Drawings\SPR\_03032013.dwg isyach 2/13/2013 2:19 PM scale: 1 by: AJK date: 2/16/2013 2:19 PM

		<b>ENGEL &amp; COMPANY</b> <i>Engineers</i> 4009 UNION AVENUE BAKERSFIELD, CA 93305 www.engelengineers.com (661) 327-7025		DRAWN AJK DATE 04/04/2020 CHECKED FJA APPROVED	<b>Site Plan</b> Conditional Use Permit <b>Opa Pistachios™</b> W. Panoche Rd Mendota, California 93640	SHEET NO. <b>SP-1</b> OF 23/33
4/4/20	SITE PLAN REVIEW					
DATE	ISSUED FOR					

REV.	DATE	BY	DESCRIPTION
0	8-17-08	GRV	PLAN REVIEW

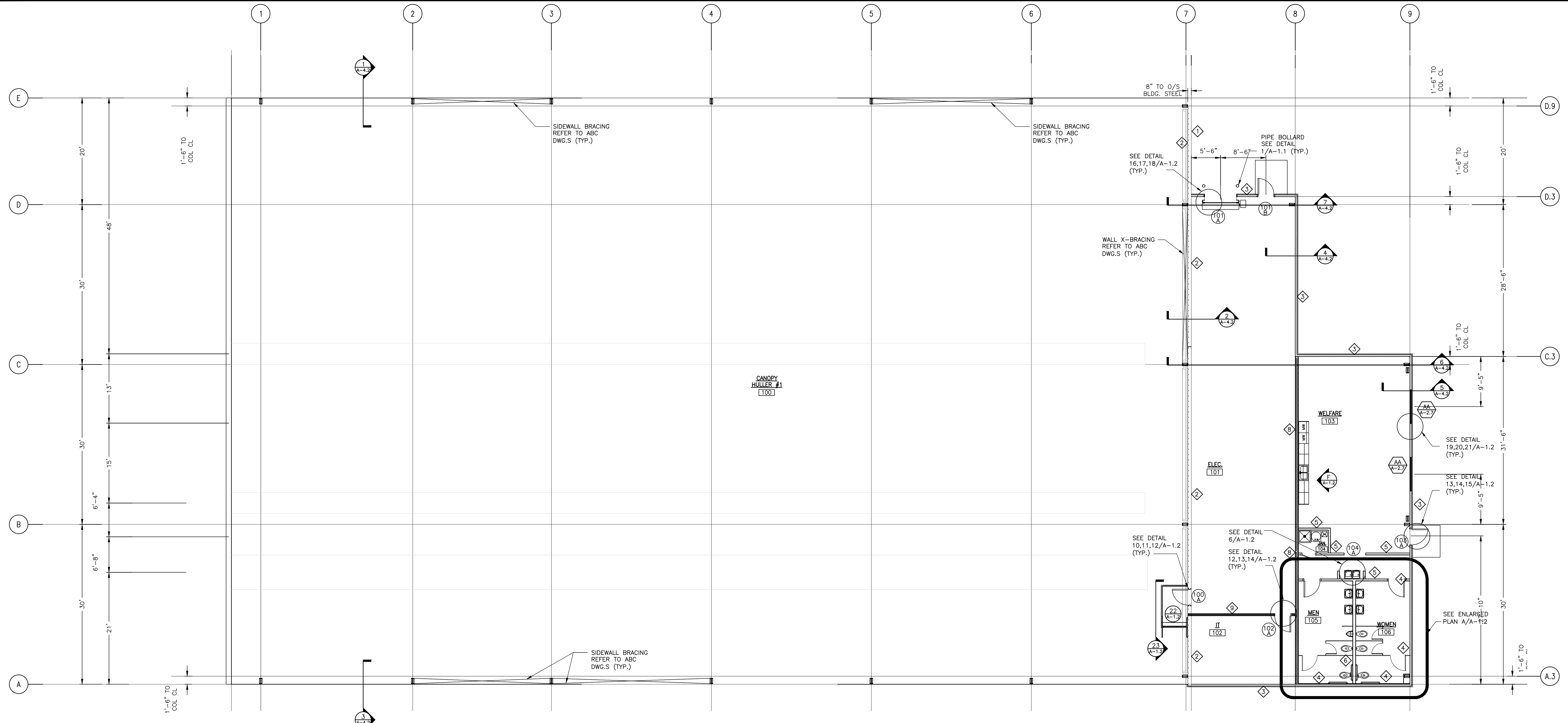
JOB NO. 2010550

DRAWN: GRV

CHECKED: AJR

SCALE: AS SHOWN

A-1.1  
 DRAWING NO.



FLOOR PLAN  
 SCALE: 1/8" = 1'-0"  
 0 2' 4' 8' 16'

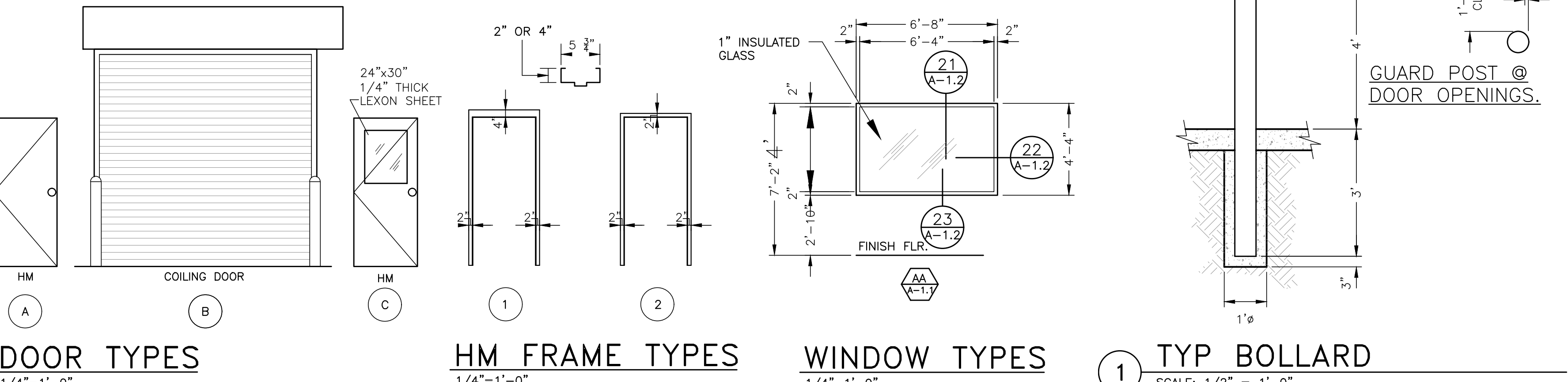
ROOM FINISH SCHEDULE																									
BUILDING NUMBER	BUILDING NAME	FLOOR	BASE	WALL				CEILING	CEILING HEIGHT	REMARKS															
				N	E	S	W																		
100	HULLER #1 CANOPY	D	-	-	-	-	-	-	-	NO PAINT															
101	ELECTRICAL	D	3	D	V	2	-	I	2	C	G	1	C	U	1	C	I	2	C	K	7	-	VARIES	PAINT 35%	
102	IT ROOM	D	3	D	V	2	-	G	1	C	I	2	C	U	1	C	O	G	1	C	K	7	-	VARIES	PAINT
103	WELFARE	E	4	A	E	4	A	I	2	C	G	1	C	G	1	C	I	2	C	K	7	-	VARIES	PAINT 50%	
104	JANITORIAL	E	4	A	E	2	A	G	1	C	G	1	C	G	1	C	K	7	-	VARIES	PAINT				
105	WOMENS RESTROOM	E	4	A	E	2	A	E	2	C	E	2	C	E	2	C	K	7	-	VARIES	TILE @ BOTTOM, PAINT ABOVE				
106	MENS RESTROOM	E	4	A	E	2	A	E	2	C	E	2	C	E	2	C	K	7	-	VARIES	TILE @ BOTTOM, PAINT ABOVE				

WALL TYPES	
1	LONG SPAN METAL PANEL ABC SUPPLIER
2	8" CMU BLOCK FROM 1'-0" AFF TO 18'-4" AFF
3	4" INSULATED METAL PANEL, AZTECO SURREY BEIGE AP300
4	1 5/8" METAL FURRING HAT (@ 16" O.C.) W/ 1/2" MR-GWB ONE SIDE TO UNDERSIDE CEILING
5	3 5/8" METAL STUD (@ 16" O.C.) W/ 1/2" TYPE X GWB TWO SIDES TO UNDERSIDE CEILING, NO BATT.
6	6" METAL STUD (@ 16" O.C.) CHASE WALL W/ 1/2" TYPE X MR-GWB ON TWO SIDES TO UNDERSIDE CEILING
7	NOT USED.
8	6" METAL STUD (@ 16" O.C.) W/ 5/8" TYPE X GWB TWO SIDES TO UNDERSIDE CEILING W/ R-19 BATT INSULATION.
9	3 5/8" METAL STUD (@ 16" O.C.) W/ 5/8" TYPE X MR-GWB ONE SIDE AND ONE SIDE 5/8" TYPE X GWB TO UNDERSIDE CEILING W/ R-13 BATT INSULATION.

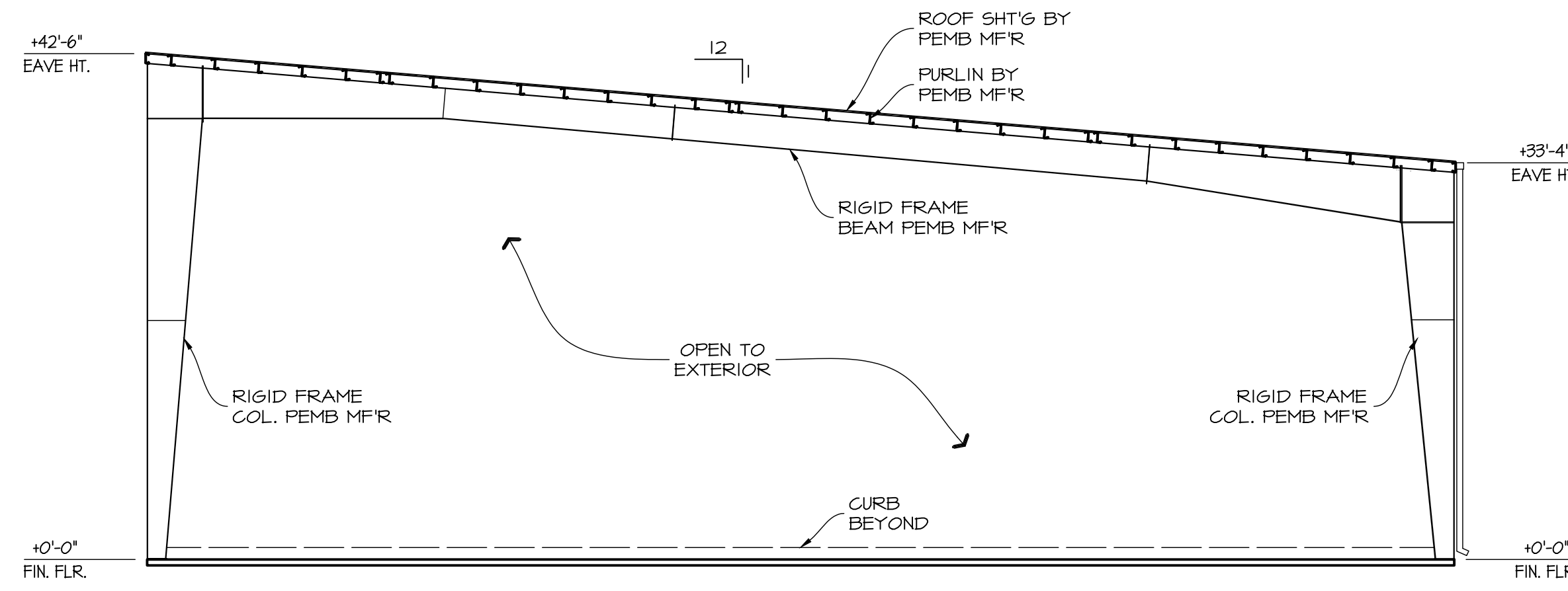
DOOR HARDWARE SCHEDULE			
ITEM	MANUFACTURER	DESCRIPTION	FINISH
HB	HAGER	BUTT HINGE	11418 4 1/2 x 4 1/2 NRP
L3	SCHLAGE	OFFICE LOCK	D5OPD-RHO
L4	SCHLAGE	STORAGE RM	D66PD-RHO
L5	SCHLAGE	CLASSROOM	D7OPD-RHO
L6	VON DUPRIN	PANIC DEVICE	22 SERIES
C1	LCN	CLOSER	SERIES LCN 1070 /1074 CYL.
SL	HAGER	SILENCER	307D
DB4	PEMCO	BOTTOM SEAL	307 AV
WS	HAGER	WEATHERSTRIP	Ø41 SAV - 36Ø4
RD	HAGER	RAIN DRIP	Ø10SA - 40"
TI	PEMCO	THRESHOLD	271 A
FS2	HAGER	FLR STOP-HIGH	267F

WINDOW SCHEDULE							
REFERENCE	OPENING		WINDOW TYPE	FRAME TYPE	GLAZING	HARDWARE GROUP	DETAILS
	WIDTH	HEIGHT					
AA	6'-4"	4'-0"	-	HM	-	-	19/A-1.2 20/A-1.2 21/A-1.2

DOOR SCHEDULE																	
DR. No.	ROOM NO.	FROM ROOM	TO ROOM	SWING	TYPE	SIZE			MATERIAL	LITE	TYPE	FRAME			REMARKS		
						WIDTH	HEIGHT	THICK				HEAD	JAMB	THRESHOLD			
100-A	100	101	100	LHR	A	3'-0"	7'-0"	1-5/8"	HOLLOW METAL	-	1	METAL	9/A-1.2	10/A-1.2	11/A-1.2	-	HB L5 - CL - F52 DB4 TI WS SL - COILING STEEL SLAT DOOR, CHAIN OPERATED RIGHT HAND
101-A	101	EXT.	101	CD-RH	B	6'-0"	10'-0"	-	METAL	-	2	METAL	16/A-1.2	19/A-1.2	20/A-1.2	-	-
101-B	101	EXT.	101	RHR	A	3'-0"	7'-0"	1-5/8"	HOLLOW METAL	-	2	METAL	15/A-1.2	16/A-1.2	17/A-1.2	-	HB L6 - CL RD F52 DB4 TI WS SL -
102-A	102	101	102	LH	A	3'-0"	7'-0"	1-5/8"	HOLLOW METAL	-	2	METAL	12/A-1.2	13/A-1.2	14/A-1.2	-	HB L5 - CL - F52 - - - SL -
103-A	103	EXT.	103	RHR	C	3'-0"	7'-0"	1-5/8"	HOLLOW METAL	24"X30" LITE	2	METAL	15/A-1.2	16/A-1.2	17/A-1.2	-	HB L5 - CL RD F52 DB4 TI WS SL -
104-A	104	EXT.	104	RHR	A	3'-0"	7'-0"	1-5/8"	HOLLOW METAL	-	2	METAL	12/A-1.2	13/A-1.2	14/A-1.2	-	HB L4 - - - - - SL -

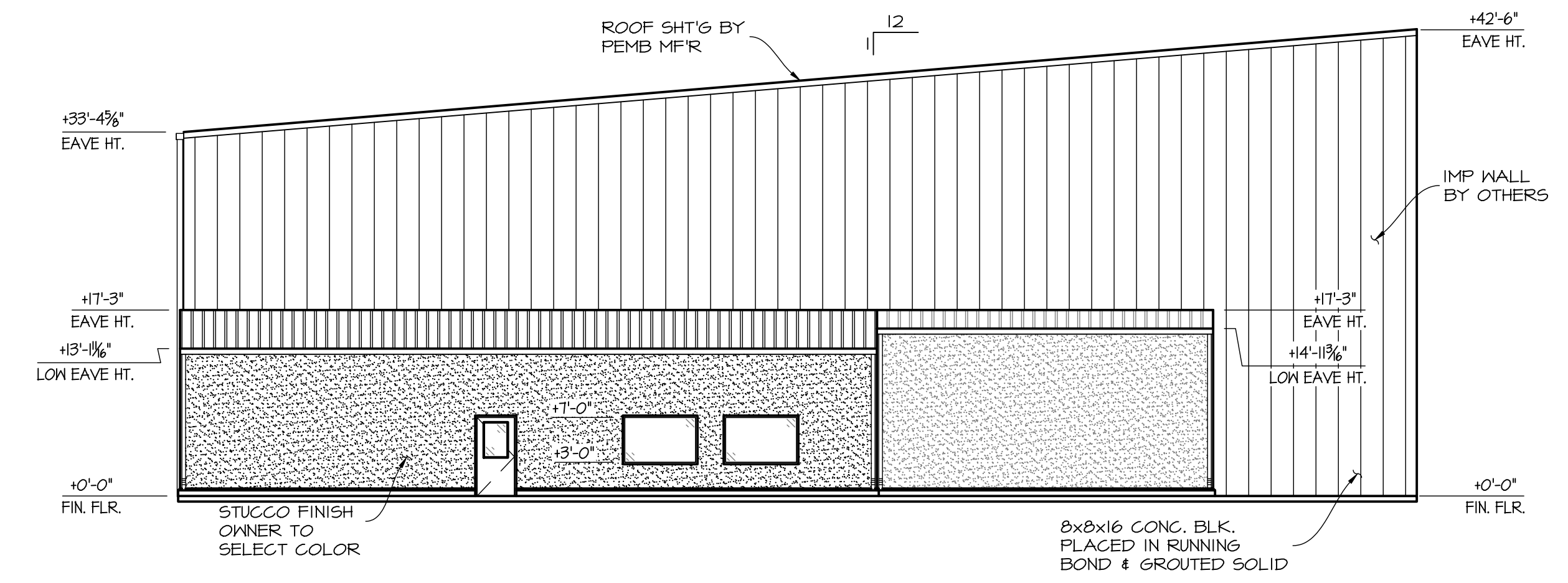


FILE: Y:\2010550 S&S\0810\DESIGN\WORKING\Arch\A-1.1.dwg DATE: 09/03/20 TIME: 11:18 am BY: GABE R VASQUEZ



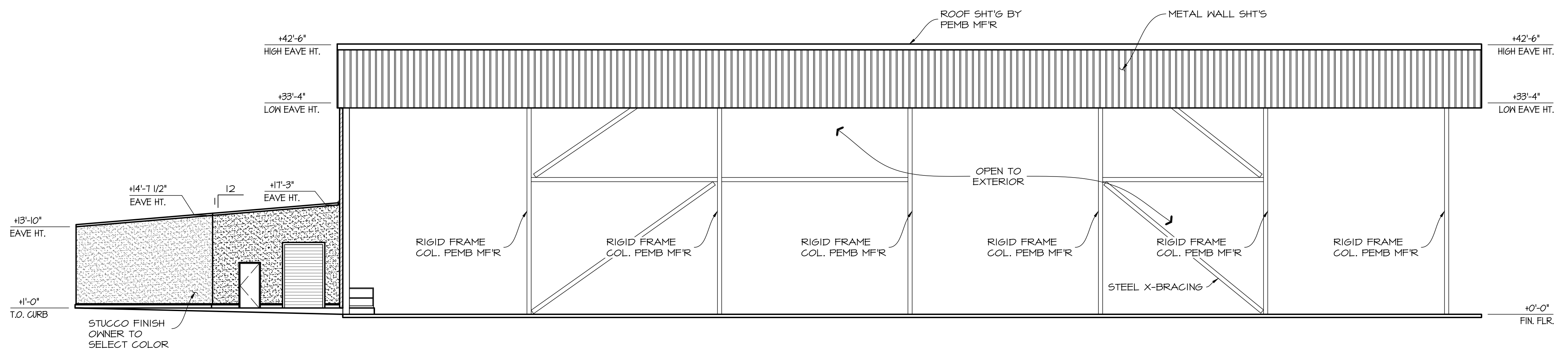
**SOUTH  
EXTERIOR ELEVATION**

3/32" = 1'-0"



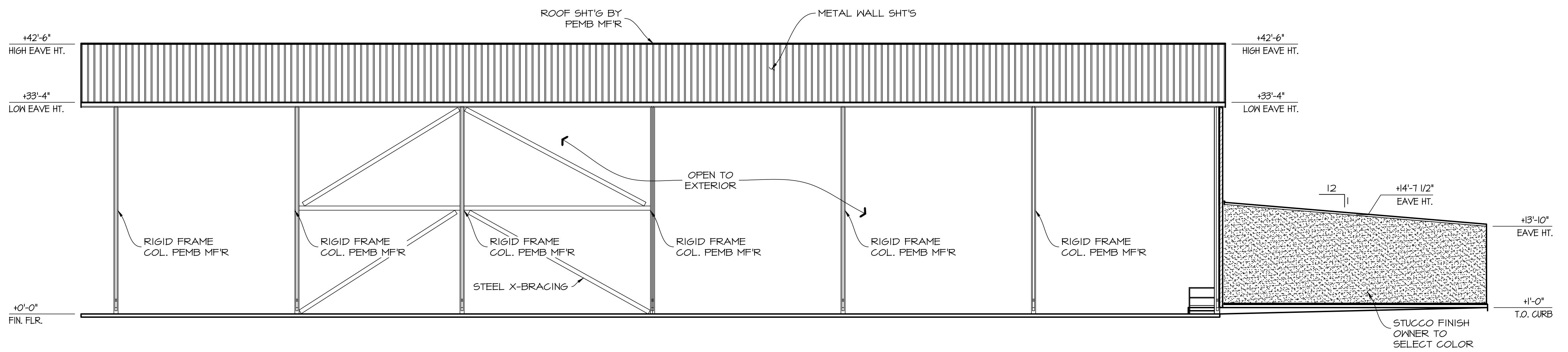
**NORTH  
EXTERIOR ELEVATION**

3/32" = 1'-0"



**WEST  
EXTERIOR ELEVATION**

3/32" = 1'-0"

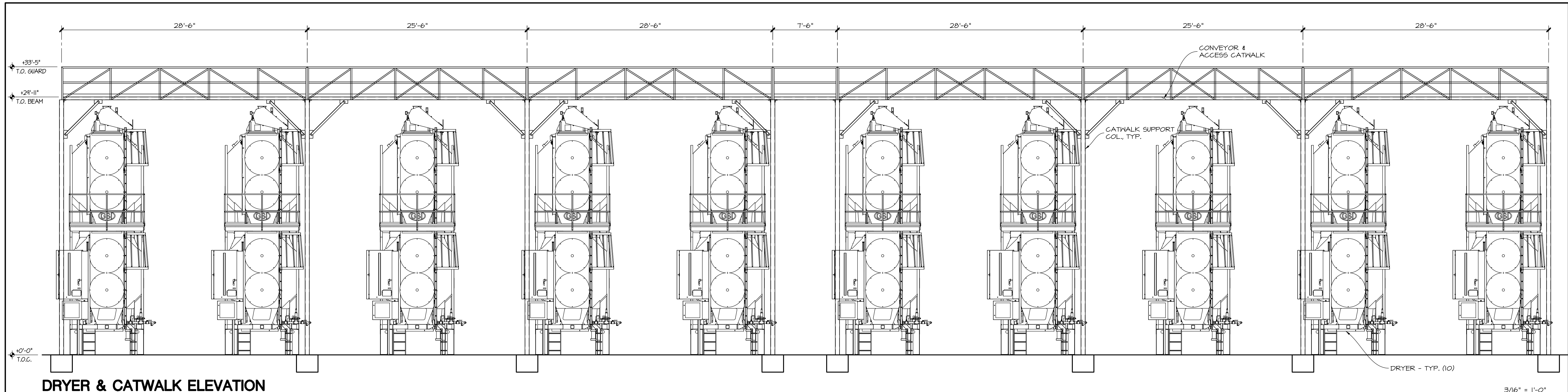


**EAST  
EXTERIOR ELEVATION**

3/32" = 1'-0"

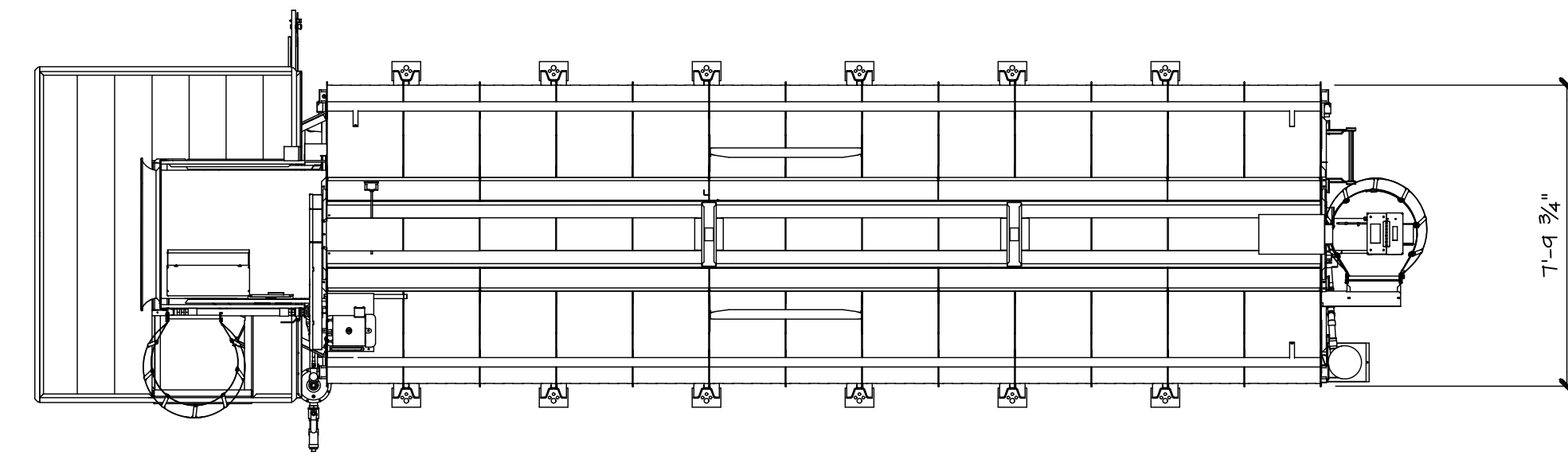
file: c:\Users\awest\OneDrive\Documents\Projects - general\wss & sons\2013\10 - stls produce huller\Drawings\SPR\20130401.dwg layout: 20130401.dwg scale: 1 by: A.J.K. date: 2/16/2020 2:19 PM

		<b>ENGEL &amp; COMPANY</b> <i>Engineers</i> <b>4009 UNION AVENUE</b> <b>BAKERSFIELD, CA 93305</b> www.engelengineers.com (661) 327-7025	DRAWN A.J.K. DATE 04/04/2020 CHECKED F.J.A. APPROVED	<b>Huller Exterior Elevations</b> Site Plan Review <b>Opa Pistachios™</b> W. Panoche Rd Mendota, California 93640	SHEET NO. <b>A-1</b> OF 23/33
4/4/20 DATE ISSUED FOR SITE PLAN REVIEW					

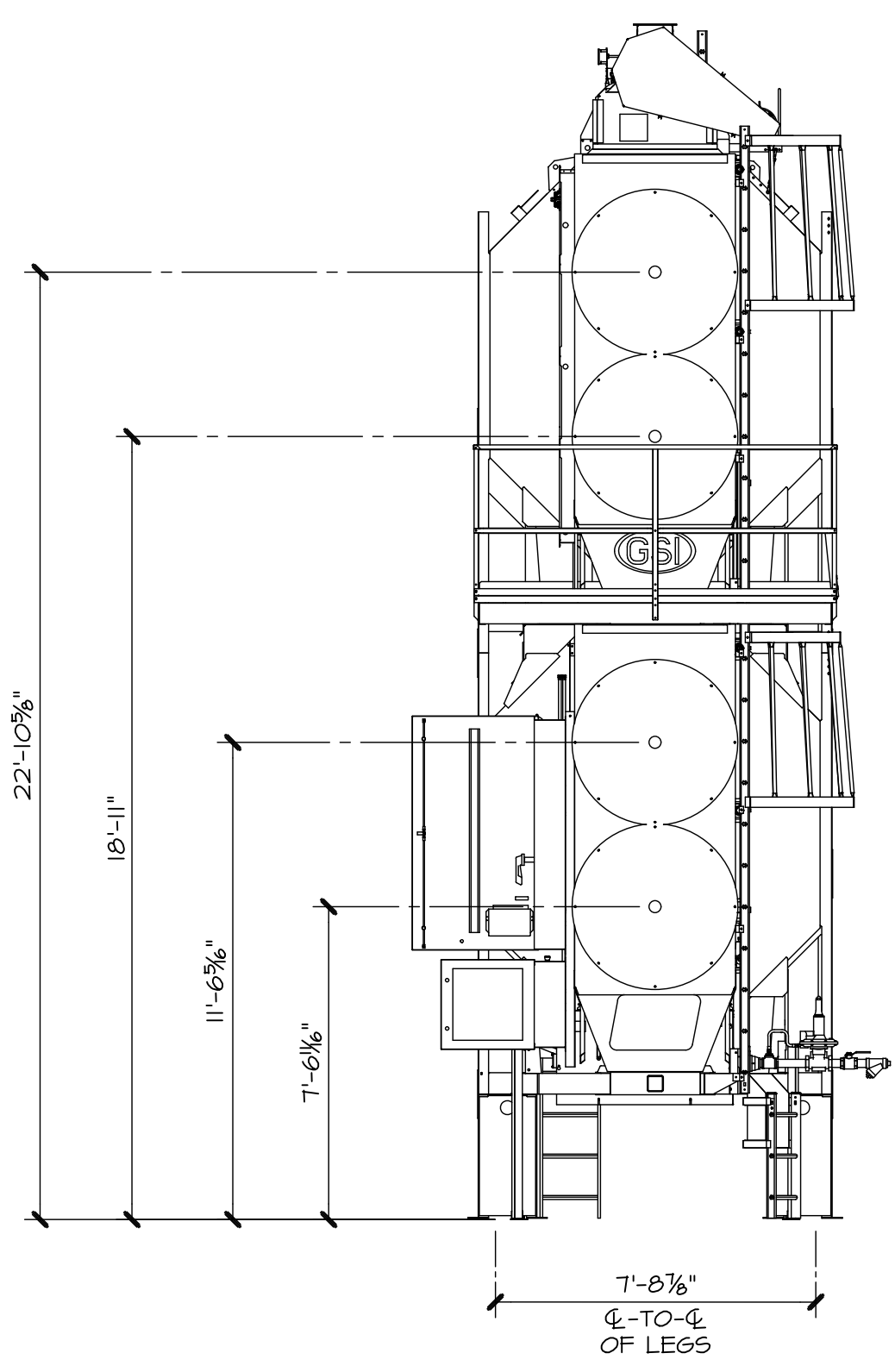


**DRYER & CATWALK ELEVATION**

3/16" = 1'-0"

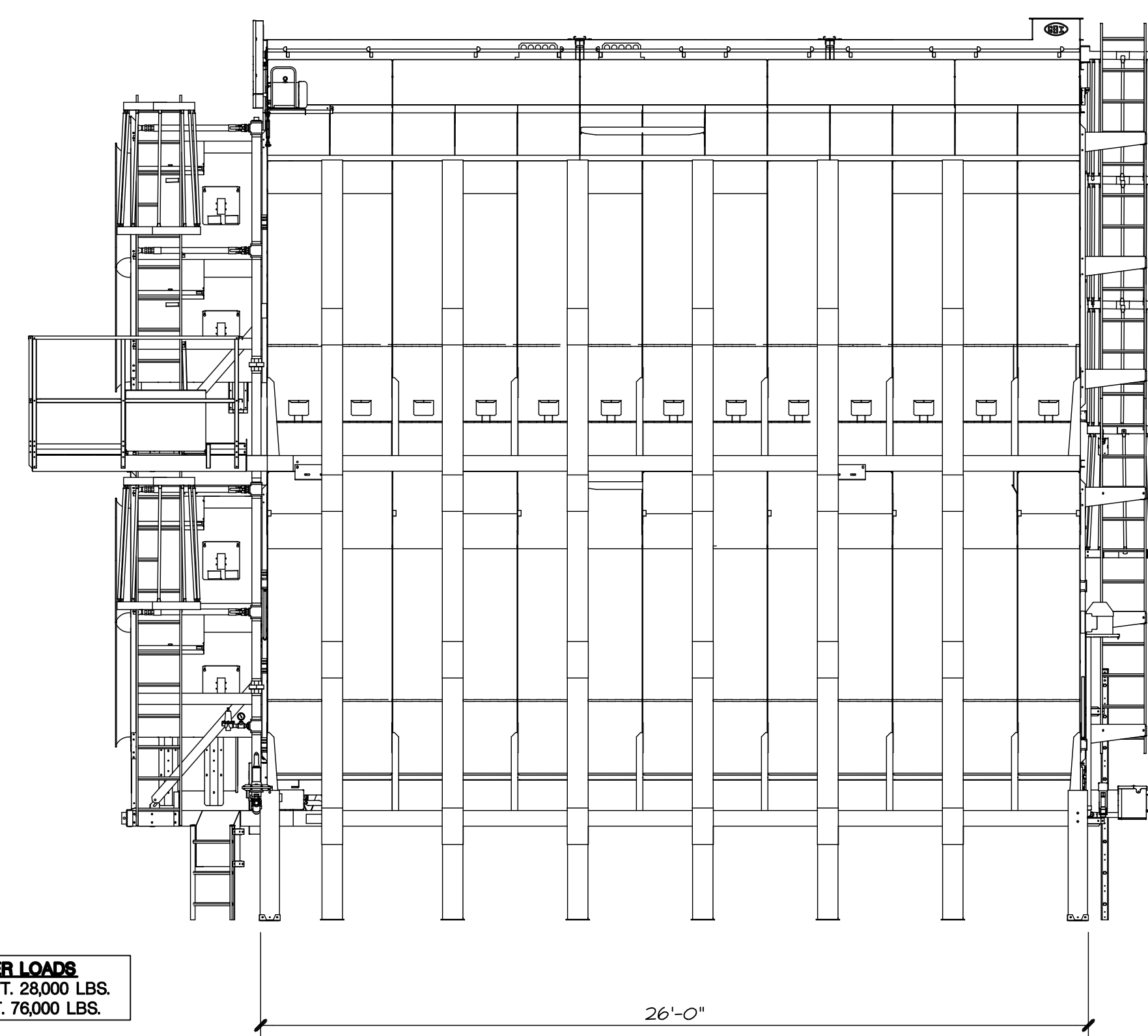


TOP VIEW

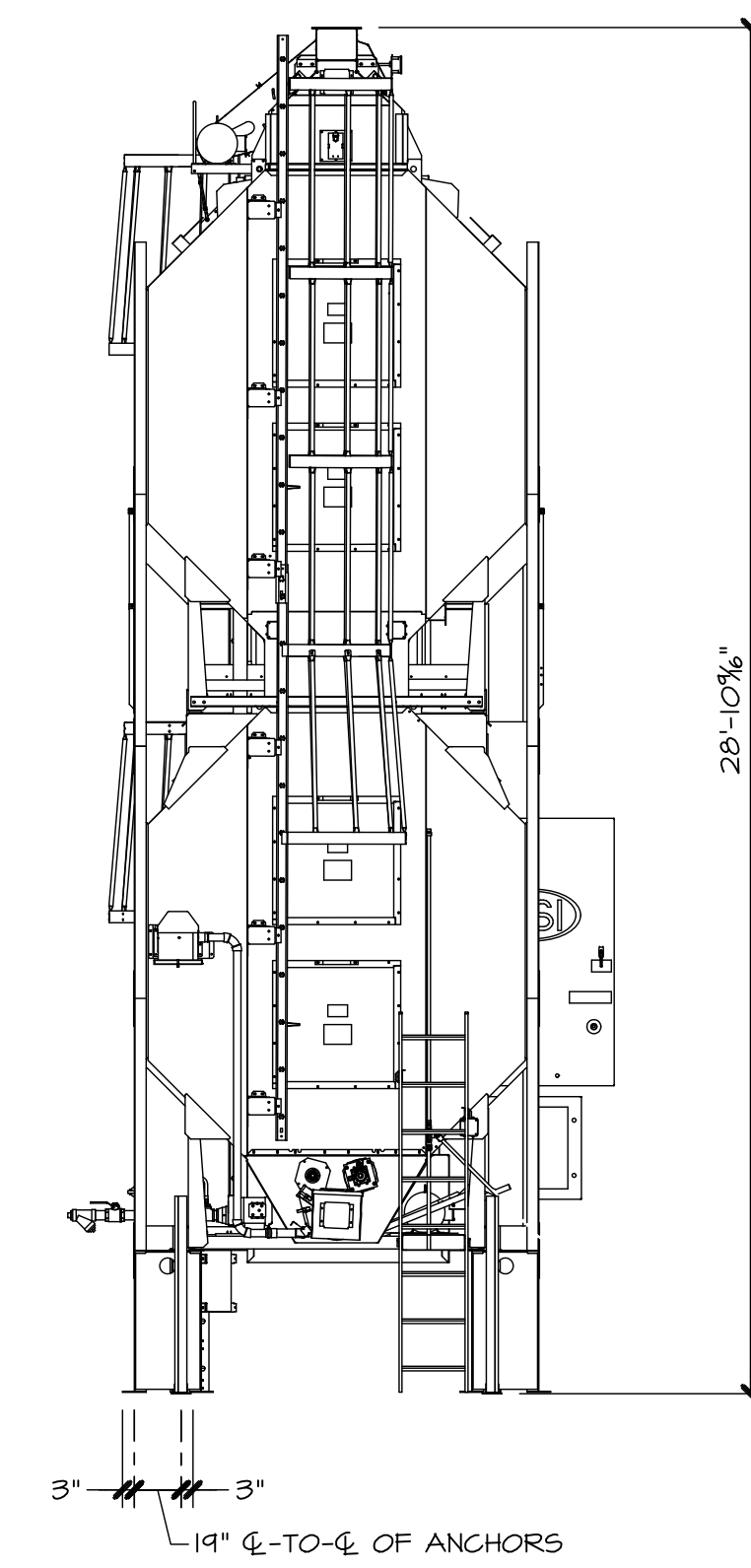


RIGHT SIDE VIEW

**DRYER LOADS**  
 EMPTY WT. 28,000 LBS.  
 OPG WT. 76,000 LBS.



FRONT VIEW



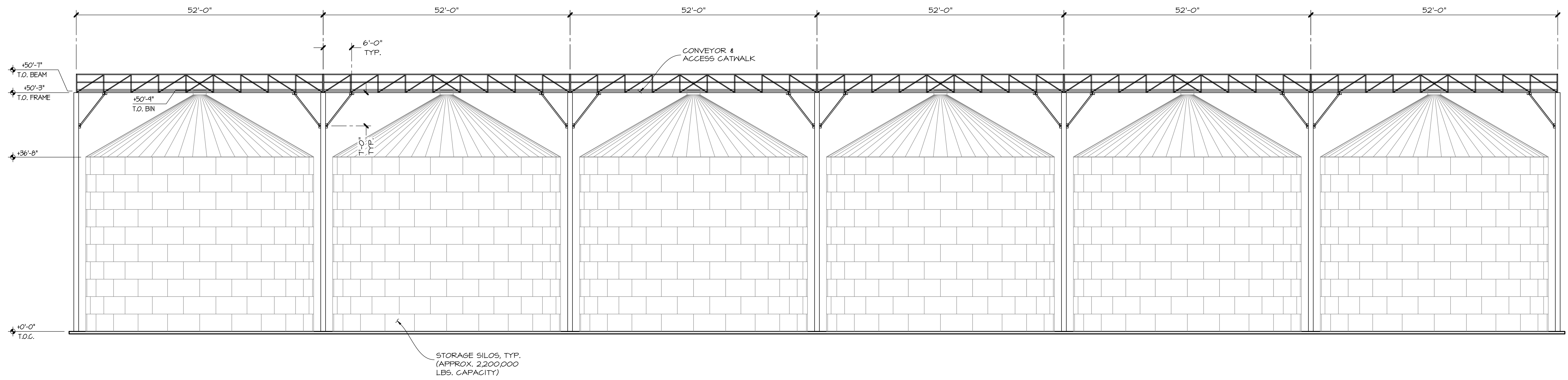
LEFT SIDE VIEW

**DRYER ELEVATION**

1/4" = 1'-0"

<b>ENGEL &amp; COMPANY</b> <i>Engineers</i> <b>4009 UNION AVENUE</b> <b>BAKERSFIELD, CA 93305</b> <a href="http://www.angelengineers.com">www.angelengineers.com</a> (661) 327-7025		DRAWN AJK DATE 04/04/2020 CHECKED FJA APPROVED	<b>Dryer Elevations</b> Conditional Use Permit <b>Opa Pistachios™</b> W. Panoche Rd Mendota, California 93640	SHEET NO. <b>A-2</b> OF 23/33
4/4/20 SITE PLAN REVIEW DATE ISSUED FOR	www.angelengineers.com (661) 327-7025	APPROVED	SHEET NO. <b>A-2</b> OF 23/33	SHEET NO. <b>A-2</b> OF 23/33

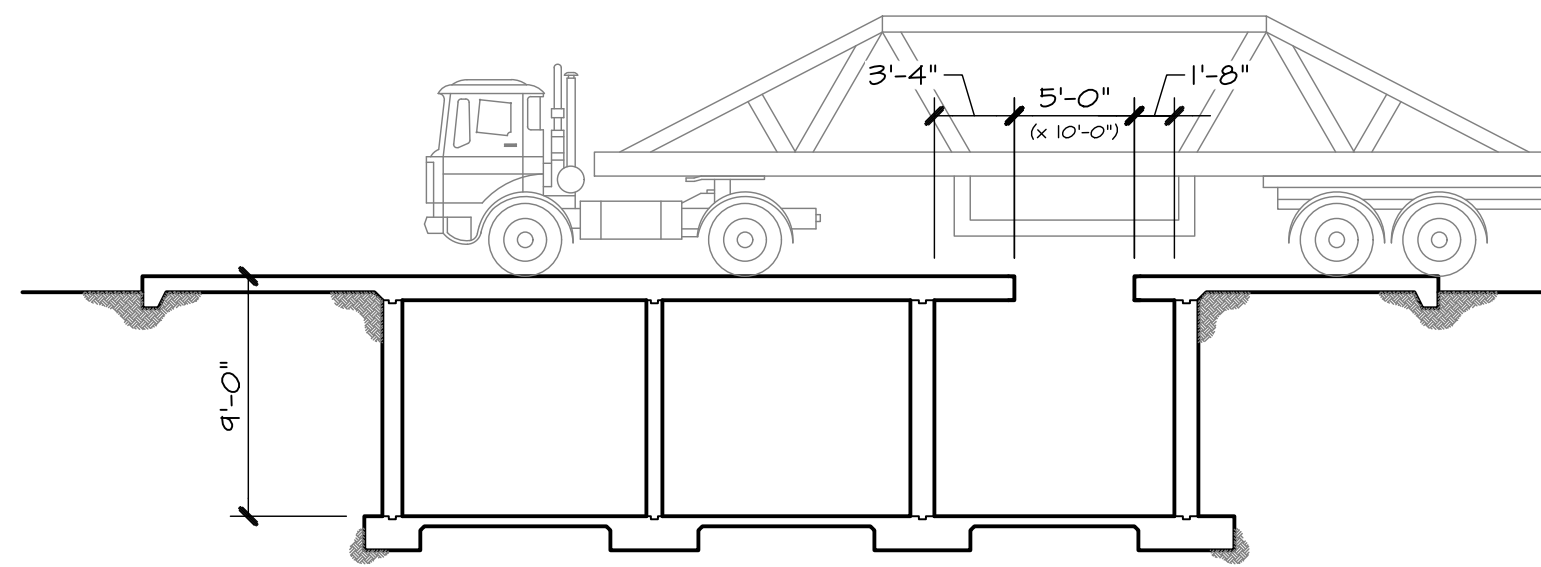
file: c:\Users\user\Documents\Projects - general\ross & sons\23133 - sis produce huller\Drawings\SPR\23133A02.dwg layout: 23133A02 scale: 1 by: A.J.K. date: 2/16/2021 2:01 PM



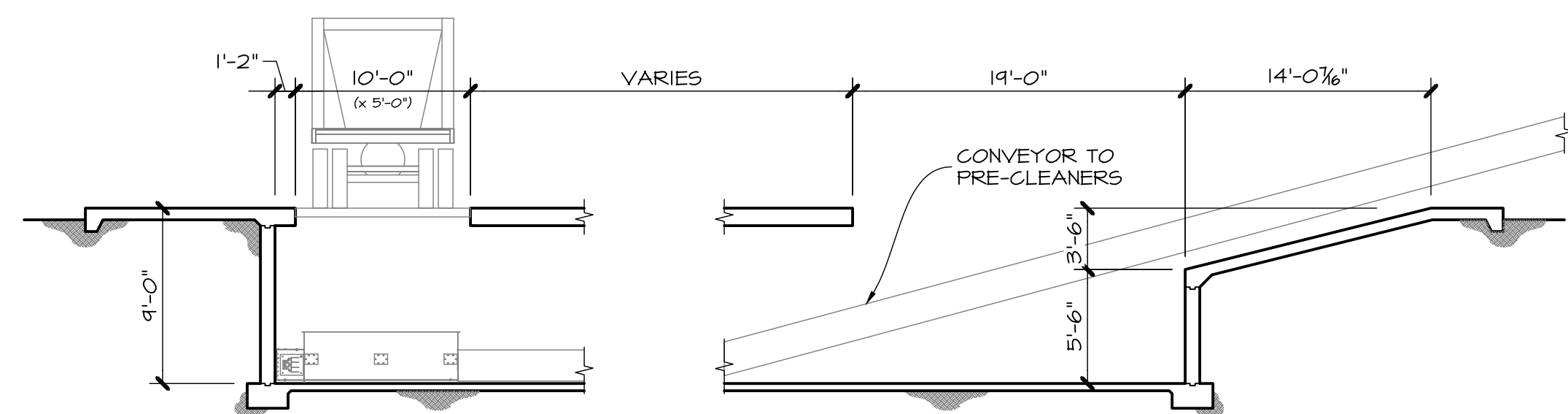
3/32" = 1'-0"

File: C:\Users\jweber\OneDrive\Documents\Projects - general\ross & sons\21013 - silo product\huller\Drawings\SPR\21013A01.dwg layout: 21013A01 scale: 1 by A.J.K. date: 2/16/2021 5:20 PM

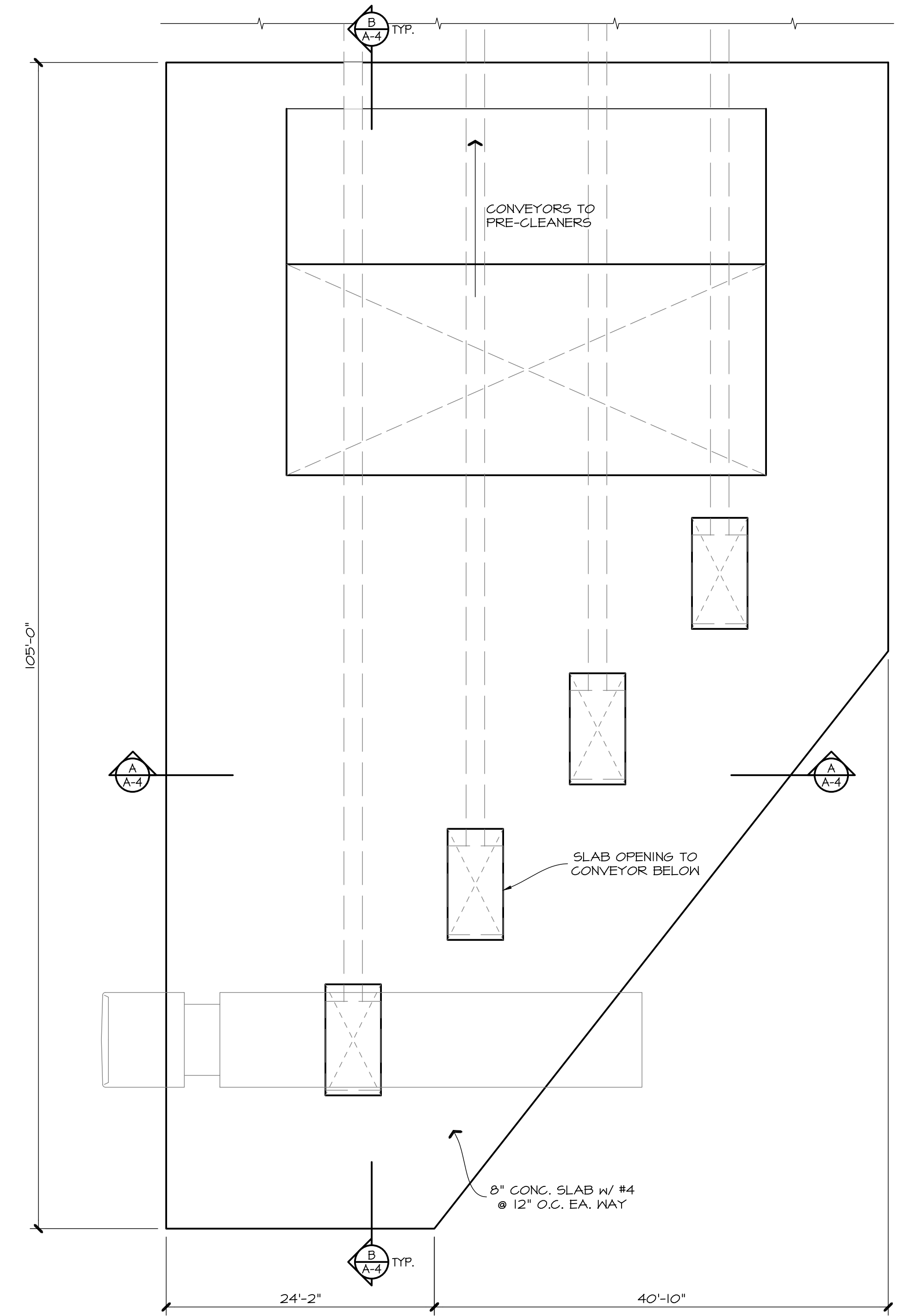
		<b>ENGEL &amp; COMPANY</b> <i>Engineers</i> <b>4009 UNION AVENUE</b> <b>BAKERSFIELD, CA 93305</b> <a href="http://www.angelengineers.com">www.angelengineers.com</a> (661) 327-7025	DRAWN A.J.K.	<b>Silo Elevation</b> Conditional Use Permit <b>Opa Pistachios™</b> W. Panoche Rd Mendota, California 93640	
4/4/20	SITE PLAN REVIEW		DATE 04/04/2020 CHECKED P.J.A. APPROVED		SHEET NO. <b>A-3</b> . OF . 23/33
DATE	ISSUED FOR				



**(A) DRIVE-OVER DUMP TRANSVERSE DETAIL** 1/8" = 1'-0"



**(B) DRIVE-OVER DUMP LONGITUDINAL DETAIL** 1/8" = 1'-0"



**DRIVE-OVER DUMP PLAN** 1/8" = 1'-0"

file: c:\Users\jweester\OneDrive\Documents\Projects - general\ross & sons\20103 - stis produce huller\Drawings\SPR\2010304.dwg layout: 2010304 scale: 1 by: A.J.K. date: 2/16/2020 5:20 PM

		<b>ENGEL &amp; COMPANY</b> <i>Engineers</i> 4009 UNION AVENUE BAKERSFIELD, CA 93305 www.engelengineers.com (661) 327-7025		DRAWN A.J.K. DATE 04/04/2020 CHECKED P.J.A. APPROVED	<b>Drive-Over Pit</b> Conditional Use Permit <b>Opa Pistachios™</b> W. Panoche Rd Mendota, California 93640	SHEET NO. <b>A-4</b> OF 23/33
4/4/20	SITE PLAN REVIEW					
DATE	ISSUED FOR					